



PARTS BOOK

AR3212

ACTION RAKE

Part #91296

Rev. #03

HSMFG030725

Starting Ser. #522SS12001



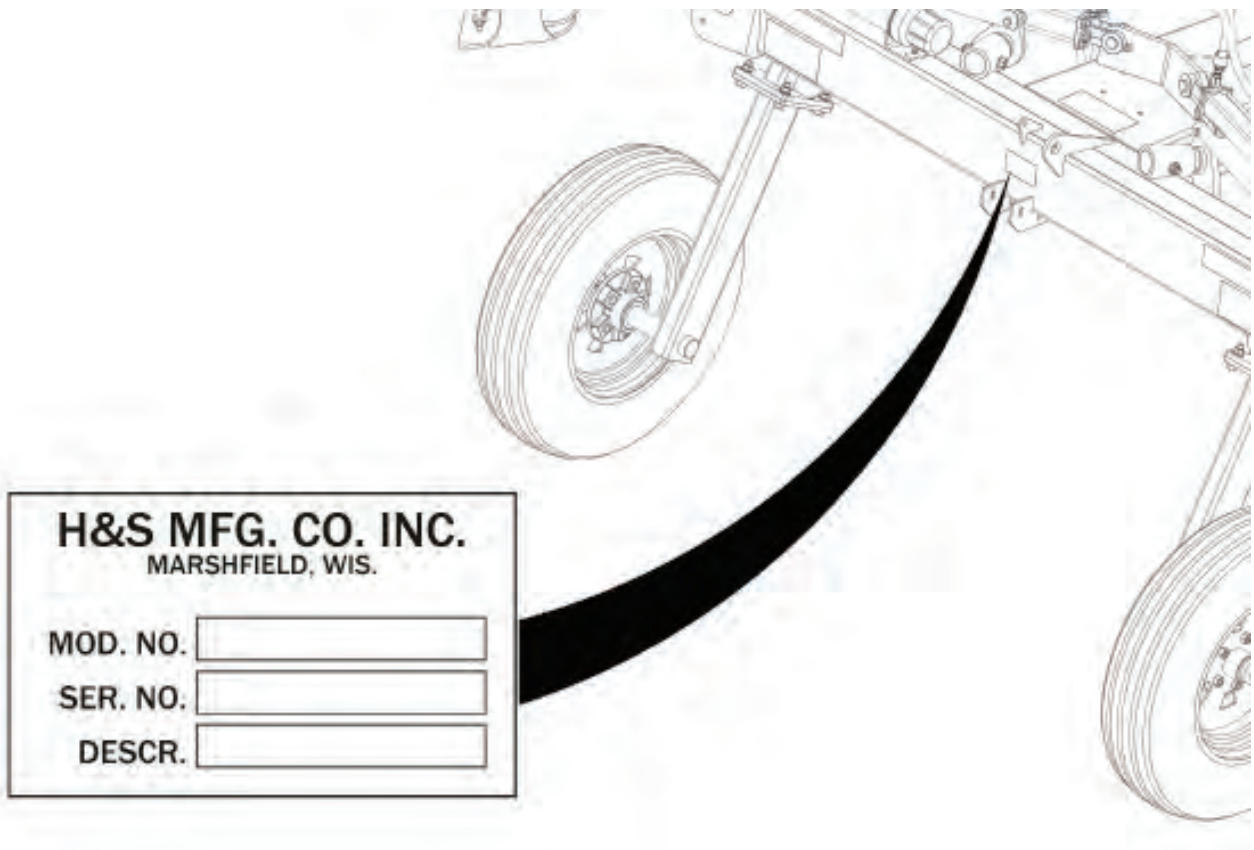
INSTRUCTIONS FOR ORDERING PARTS

All service parts should be ordered through your authorized H&S dealer. Your Dealership will be able to give you faster service if you will provide them with the following:

1. All references to left or right apply to the machine as viewed from the rear.
2. Parts should not be ordered from illustration only. Please order complete part number.
3. If your dealer has to order parts - give shipping instructions:

Via truck - large pieces (please specify local truck lines)

Via United Parcel Service (include full address)



PLEASE RECORD NUMBERS FOR YOUR UNIT FOR QUICK REFERENCE

H&S IS CONTINUALLY STRIVING TO IMPROVE ITS PRODUCTS

We must, therefore, reserve the right to make improvements or changes whenever it becomes practical to do so, without incurring any obligation to make changes or additions to the equipment previously sold.





FIGURE 1

FRAME & COMPONENTS

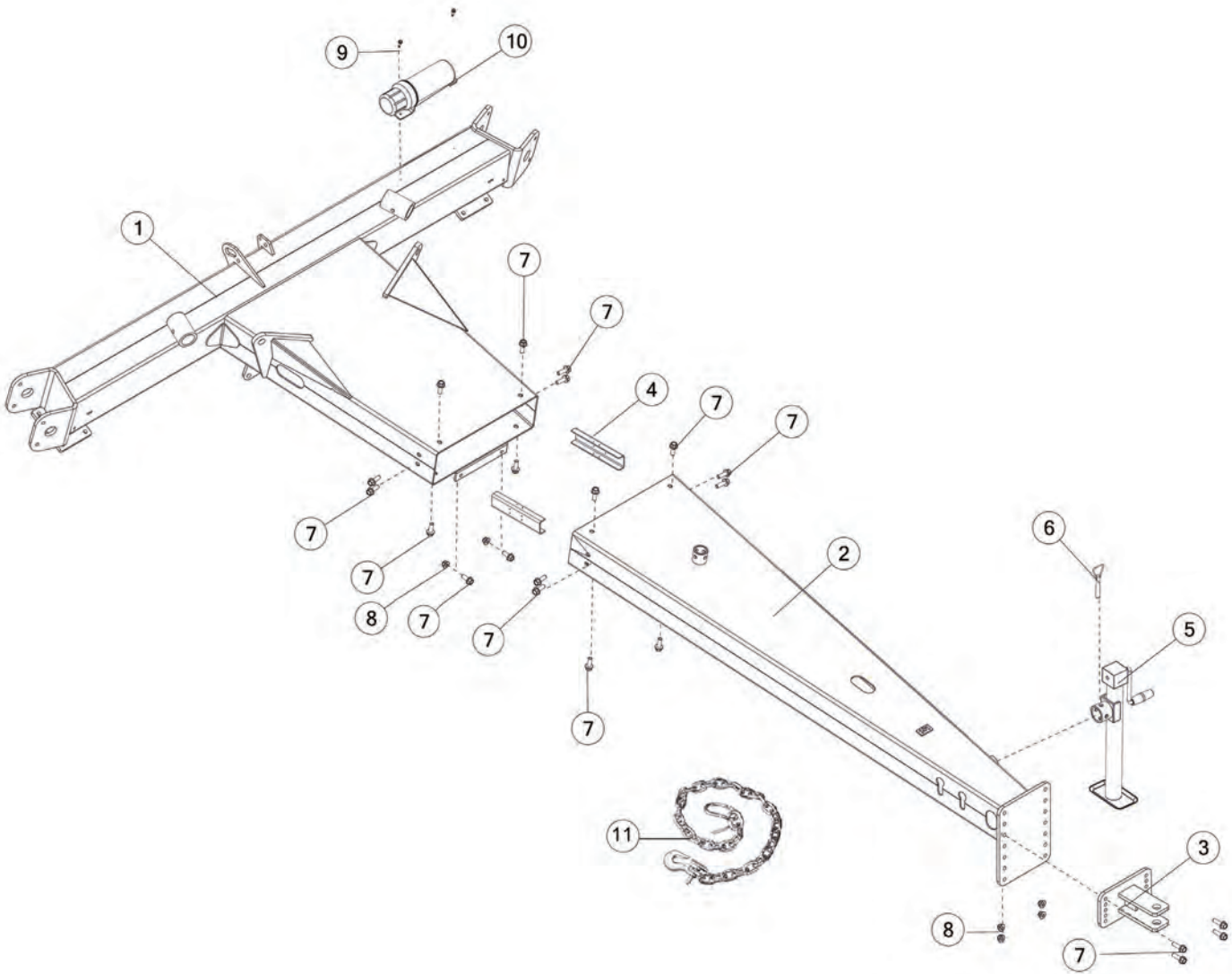




FIGURE 2
REAR FRAME & COMPONENTS

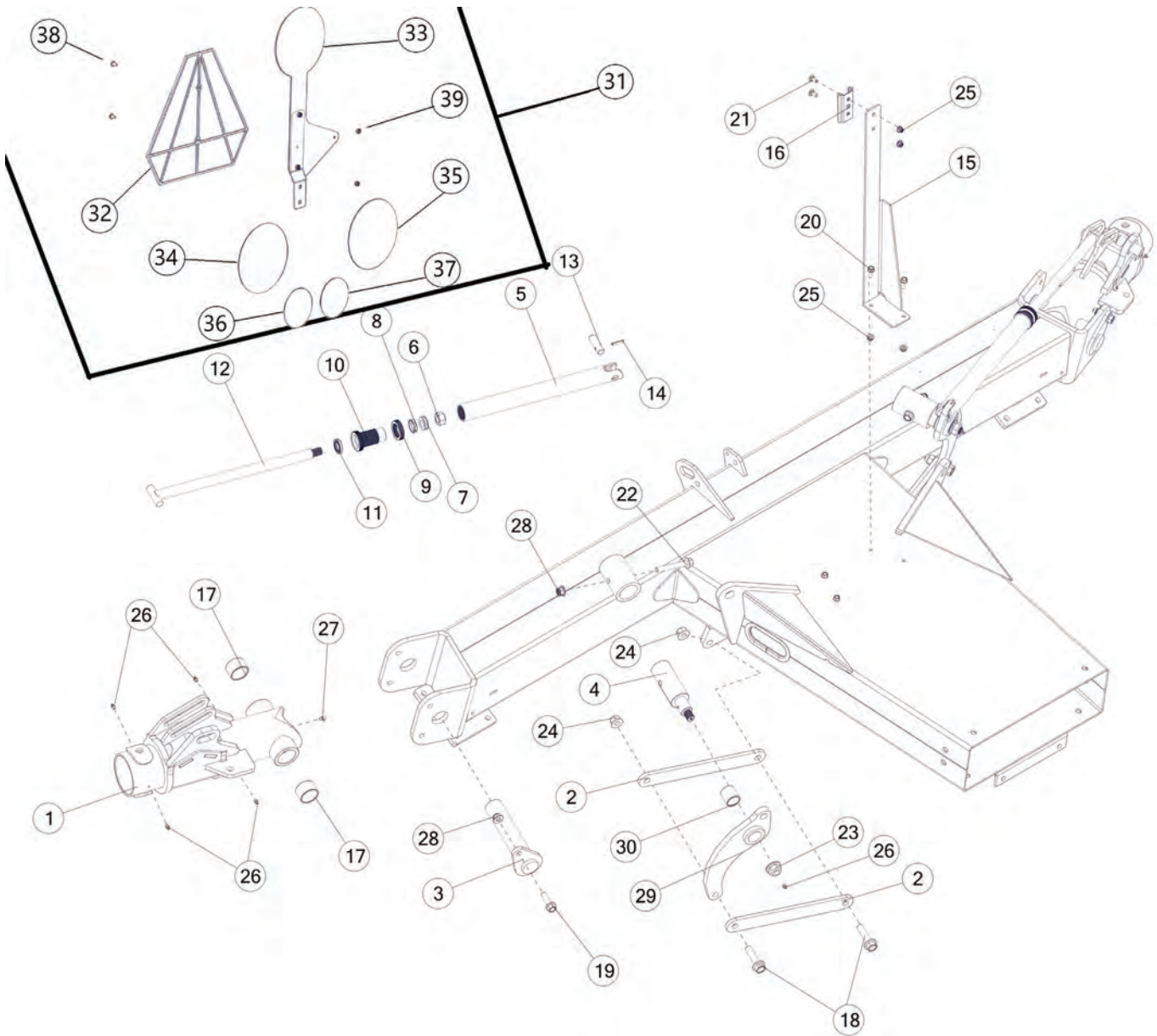




FIGURE 2

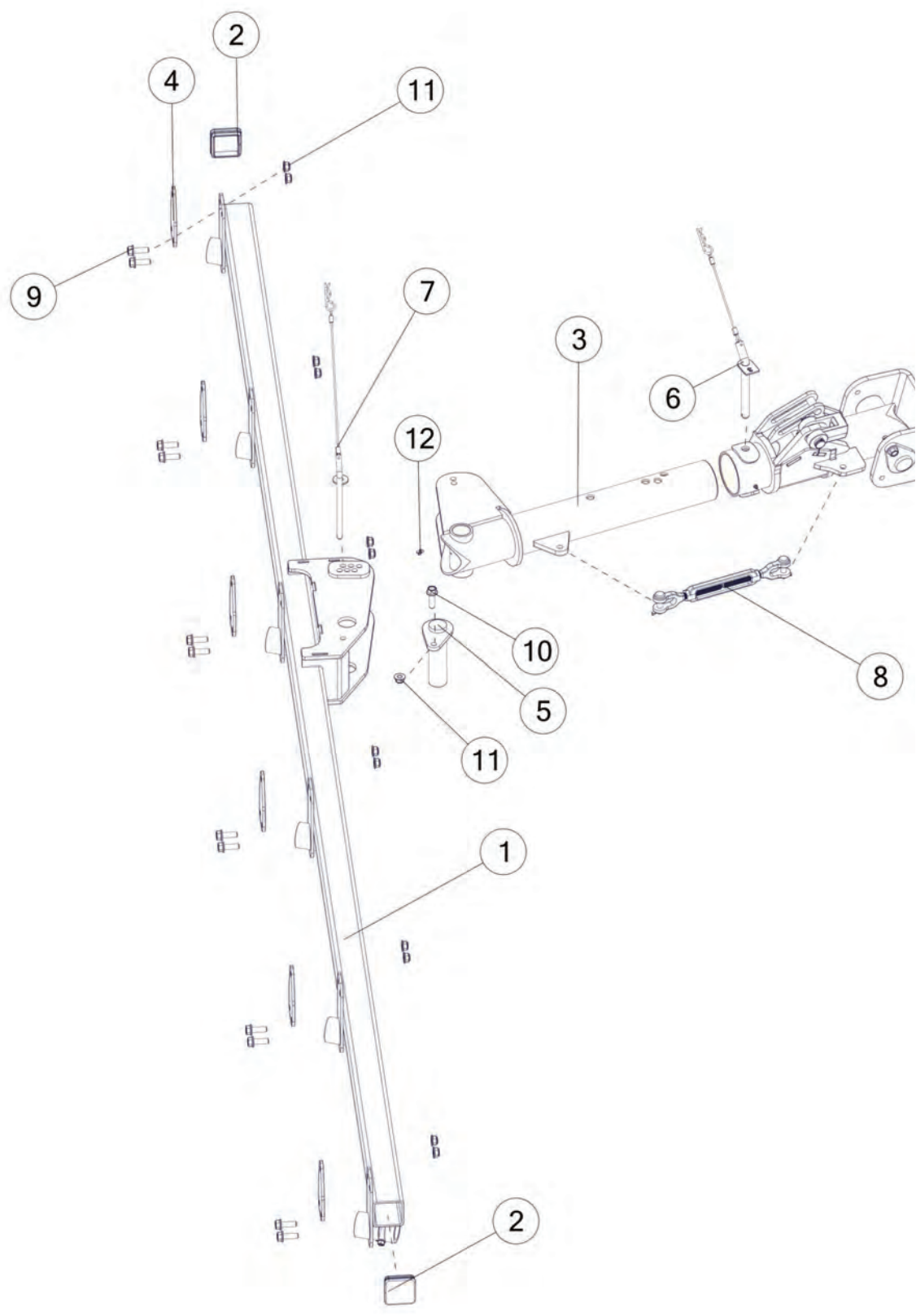
REAR FRAME & COMPONENTS

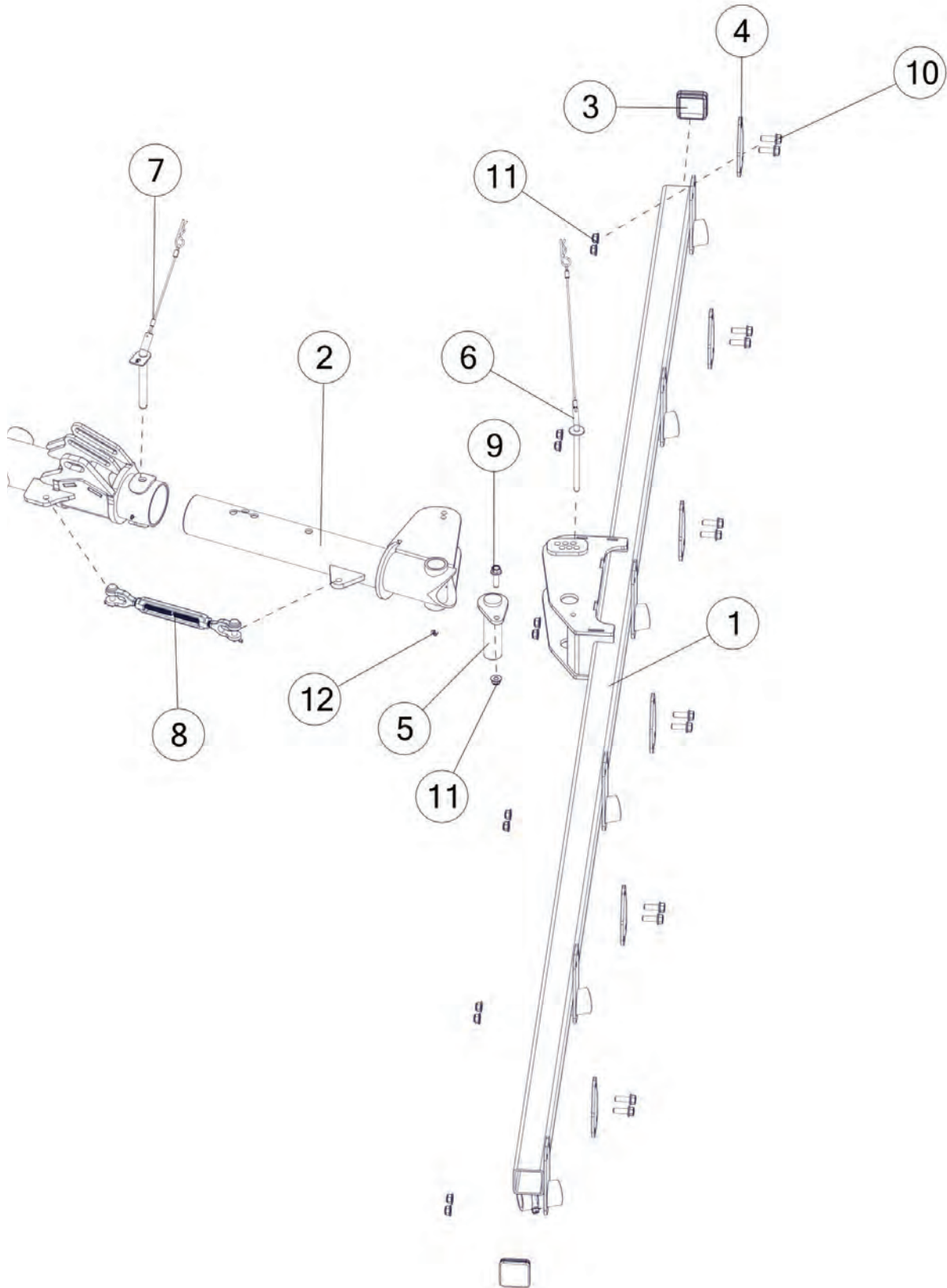
REF #	PART #	DESCRIPTION	QTY
1	89391	PIVOT, RH	1
*	89025	PIVOT, LH	1
2	90961	LINKAGE BAR	4
3	90576	PIN	1
4	89097	ROCKER PIVOT SHAFT	2
5	89150	TUBE	2
6	YNL24006	NUT HEX, 3/4-10 LKTL C ZC	2
7	89162	PISTON	2
8	95430	WIPER RING	2
9	89163	LOCK RING	2
10	89161	BUSHING	2
11	89257	SEAL	2
12	93547	ROD	2
13	90675	LINKAGE PIN	2
14	YPEX08010	EXPANSION PIN, 1/4 X 1-1/4	2
15	96736	SMV BRACKET	1
16	F97	SMV BRACKET	1
17	TS85	BUSHING, BRONZE, 2 OD X 1.752 ID X 1.25 LONG	4
18	YBFB20250	BOLT FLANGE, 5/8 X 2-1/2 G5	4
19	YBFB16175	BOLT FLANGE, 1/2 X 1-3/4 G5	2
20	YBFB10001	BOLT FLANGE, 5/16 X 1 G5	2
21	YBCR10030	BOLT CARRIAGE, 5/16-18 X 3/4 G5 ZC	2
22	YBFB16350	BOLT FLANGE, 1/2 X 3-1/2 G5	4
23	YNFG24006	NUT HEX, FLANGED, TOP LOCK, 3/4-10 GG ZC	2
24	YNFG20005	NUT FLANGE, 5/8-11 LKTL F ZC	4
25	YNFG10005	NUT FLANGE, 5/16 GF	4
26	G89	STRAIGHT ZERK, 1/4-28	10
27	RG51	ZERK, 90 DEGREE 1/4-28	2
28	YNFG16003	NUT FLANGE, 1/2 GF	4
29	89190	ROCKER ARM	2
30	G16	BUSHING	2
31	88532	SMV KIT	1
32	BFR723	SMV SIGN KIT	1
33	88414	SIGN BRACKET	1
34	88413	DECAL NOTICE 20/MPH	1
35	88412	DECAL NOTICE 30/KPH	1
36	HS103201	DECAL NOTICE	1
37	HS103288	DECAL NOTICE	1
38	YSTP08005	TRUSS HEAD PHILLIPS MACH. SCREW, 1/4-20 X 1/2	2
39	YNHX08005	NUT, HEX, 1/4-20, NA, A, ZC	2

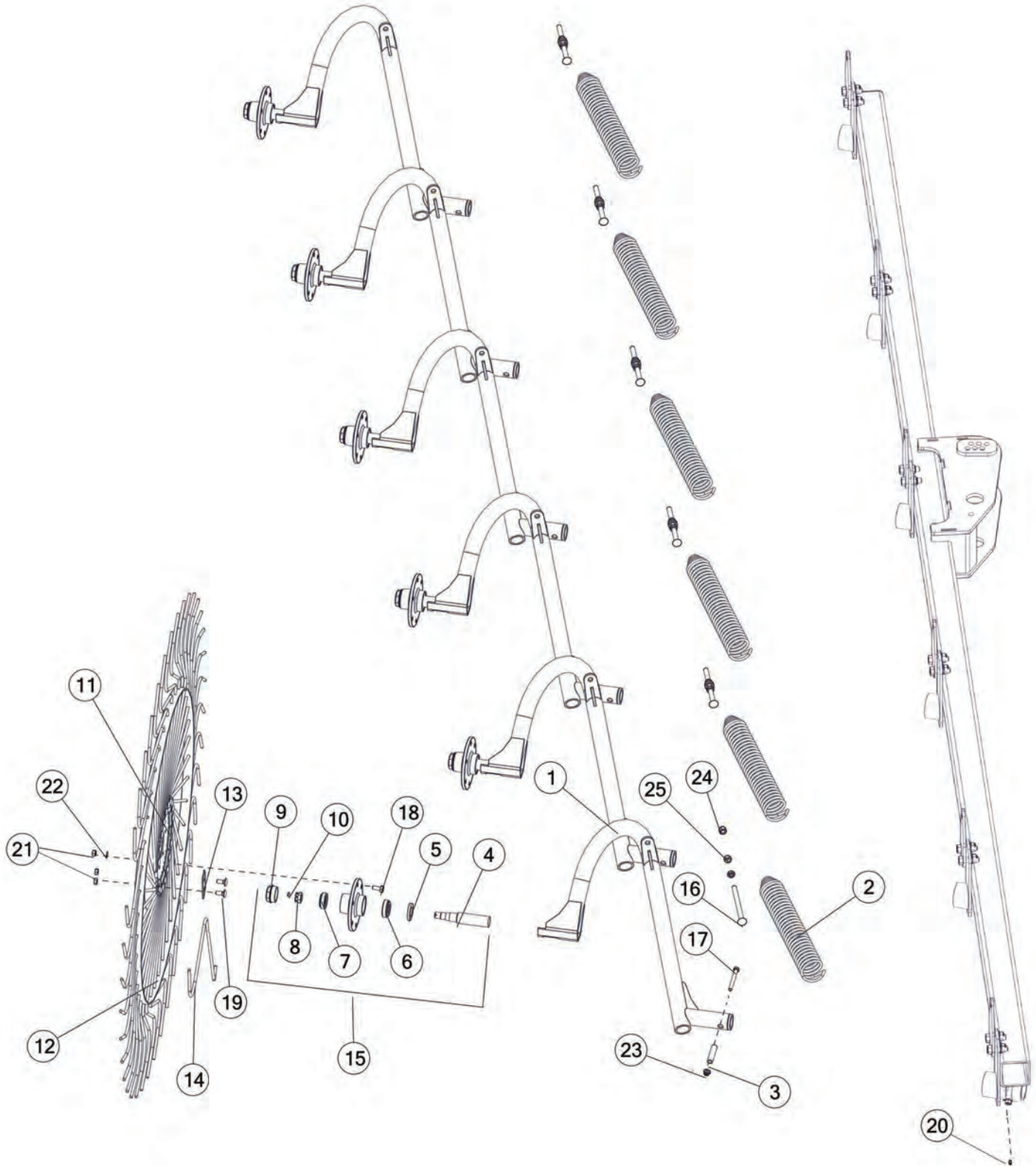




FIGURE 3
LIFT ARM & COMPONENTS RH







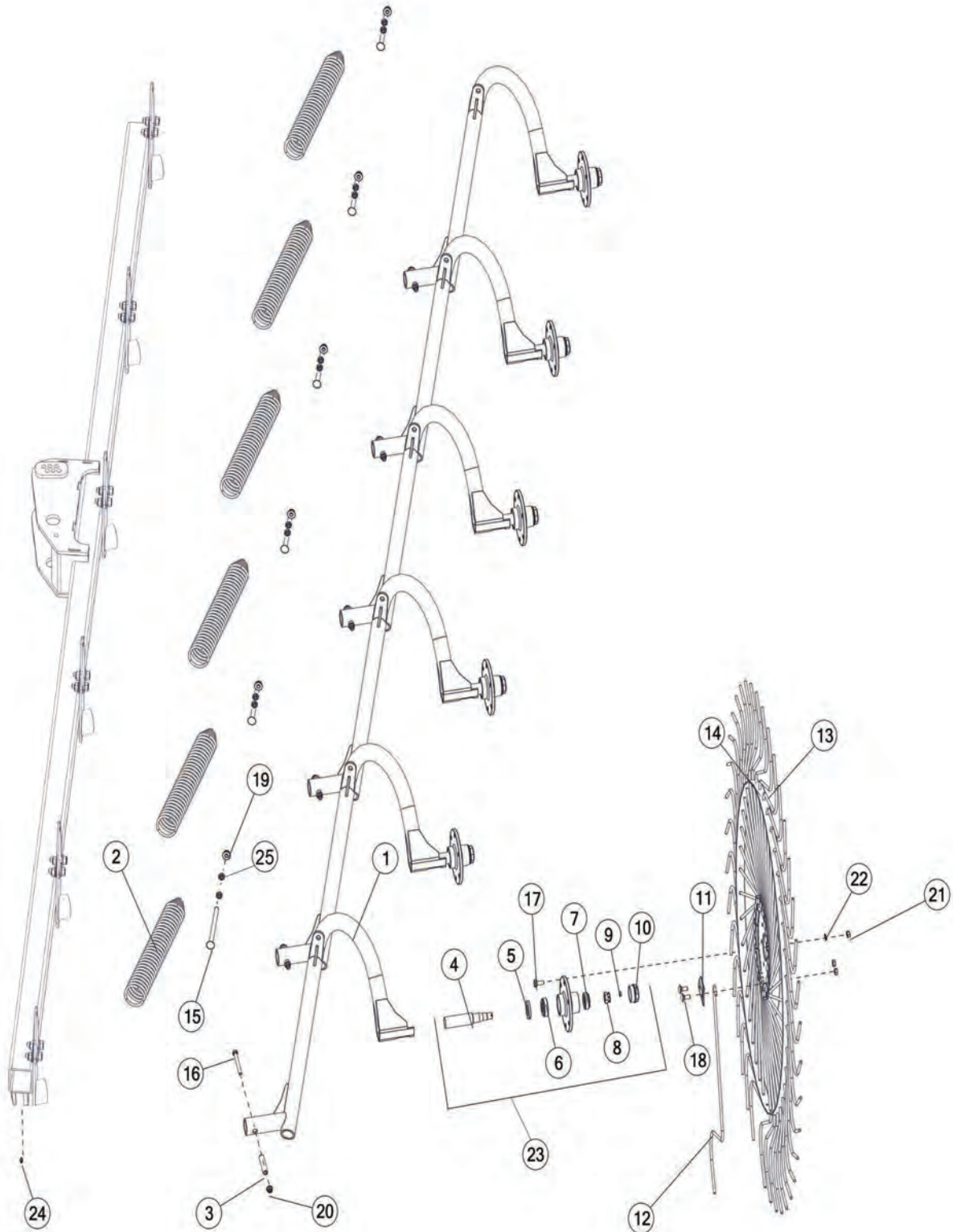




FIGURE 7

AXLE & HUB COMPONENTS

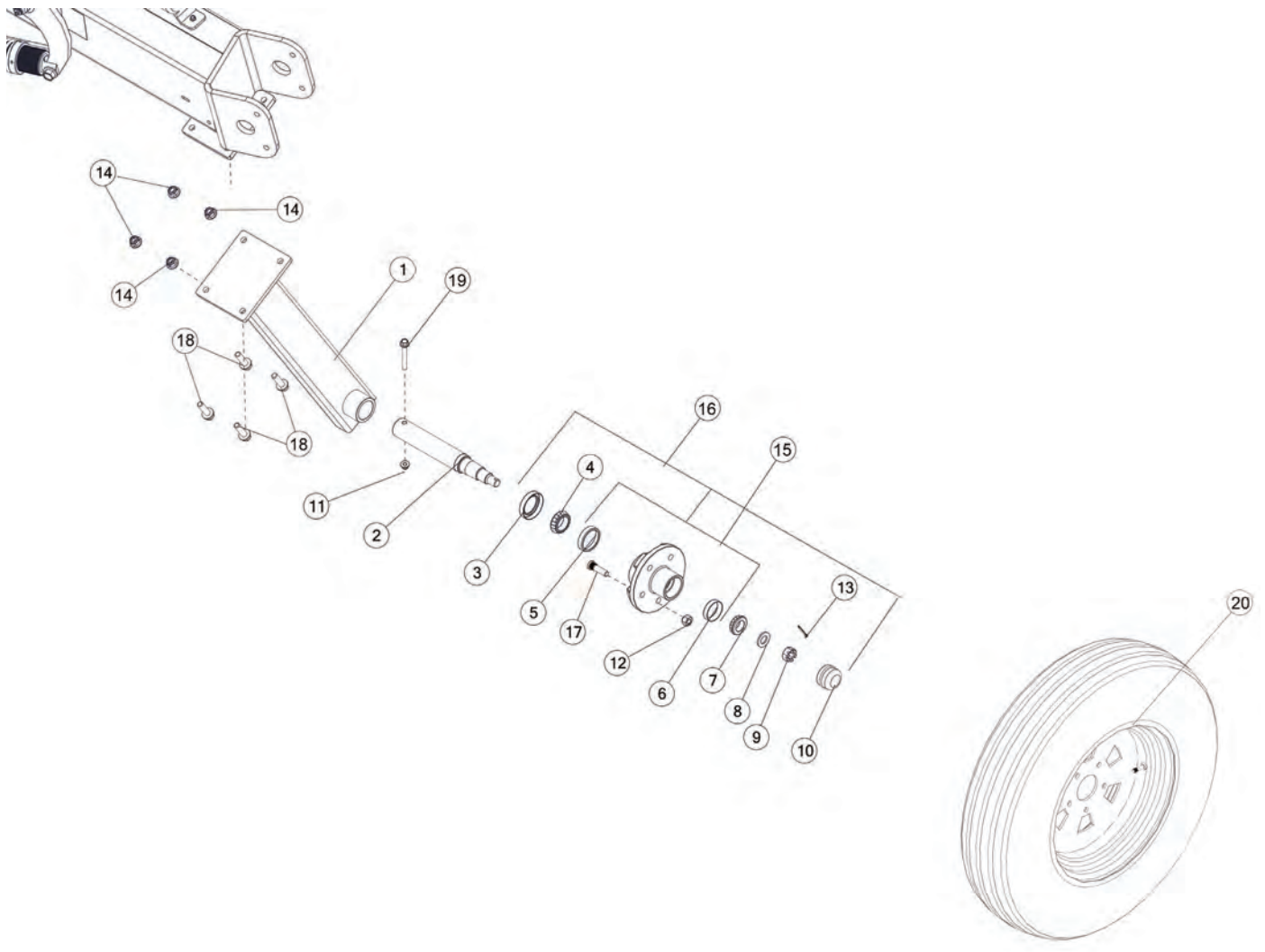
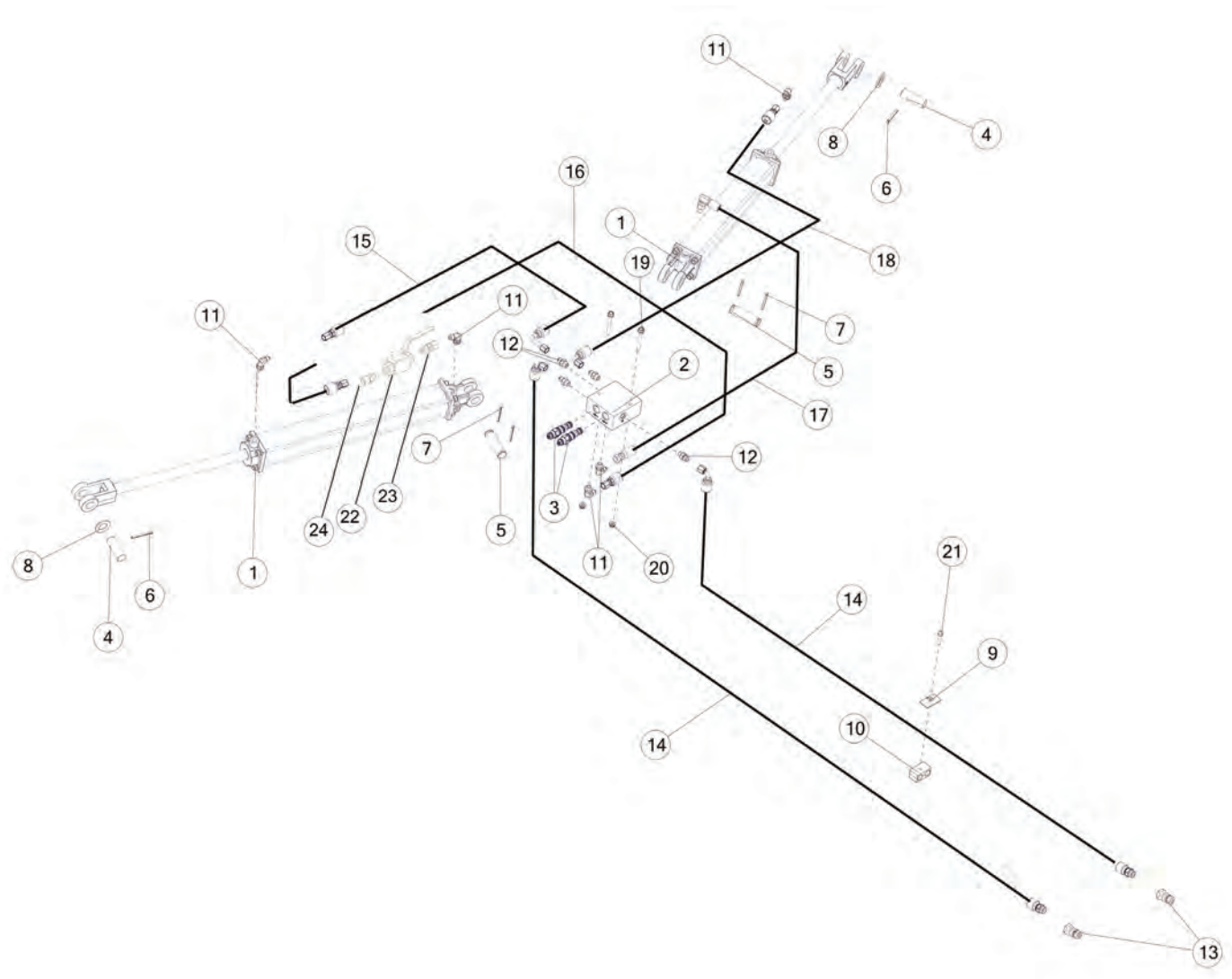




FIGURE 8

HYDRAULICS



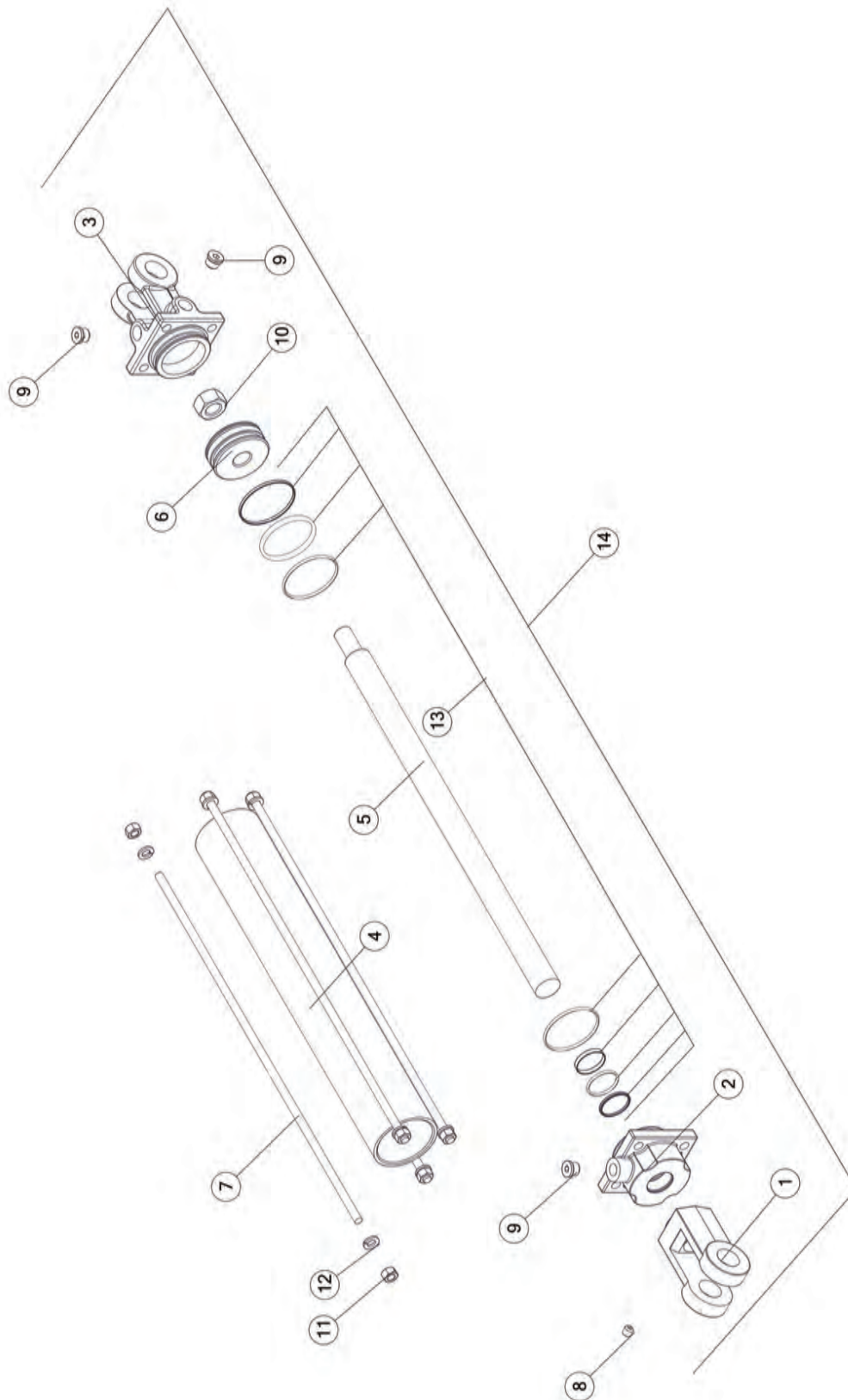




FIGURE 10

OPTIONAL CENTER KICKER WHEEL (ARO2CKW)

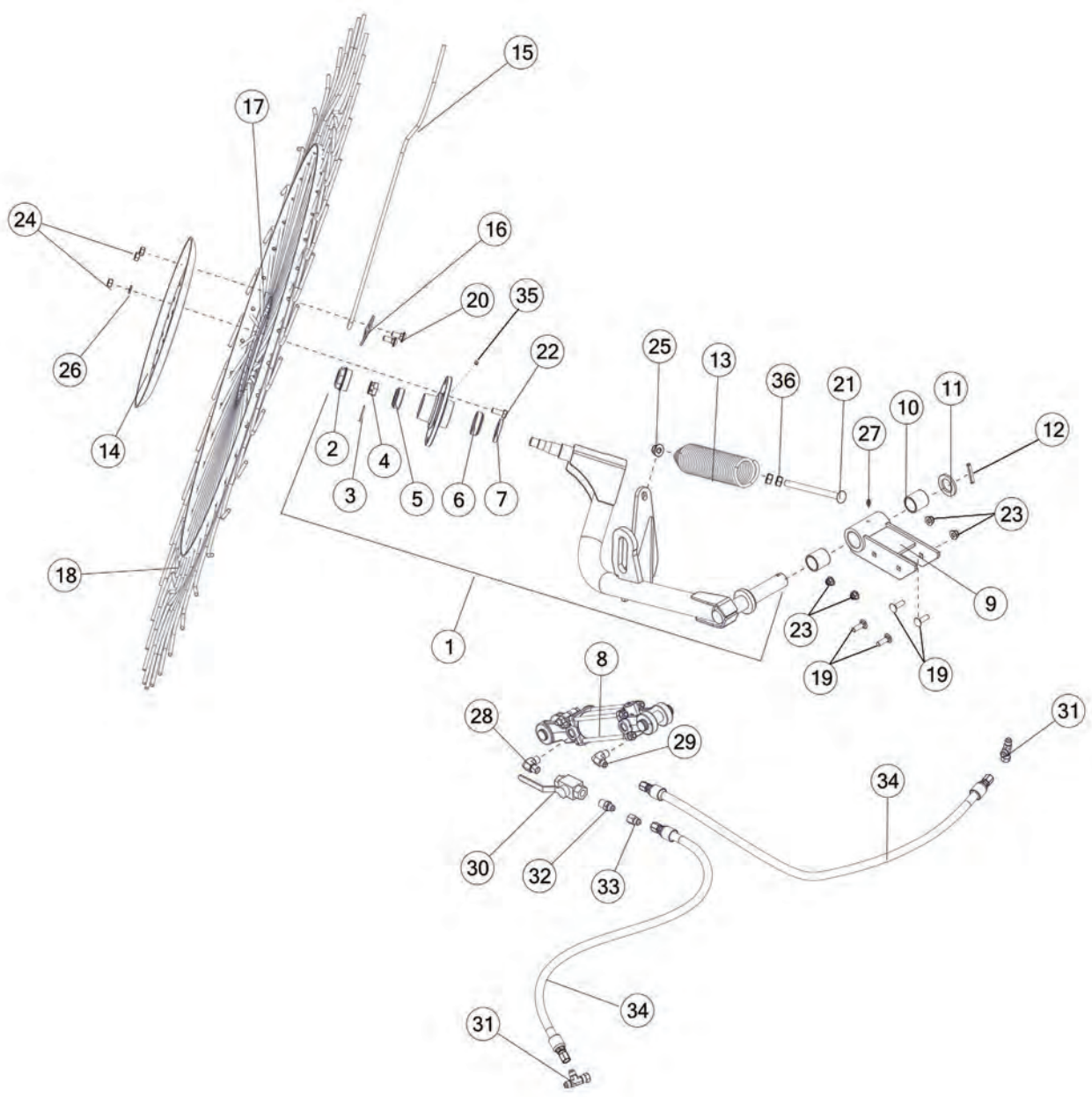




FIGURE 10

OPTIONAL CENTER KICKER WHEEL (ARO2CKW)

REF #	PART #	DESCRIPTION	QTY
1	89474	REAR CANDY CANE	1
2	T173	CAP, HUB, RAKE WHEEL	1
3	1088	CLIP, RETAINING	1
4	T172	NUT HEX, 18MM - 1.5, CASTLE G2 NF	1
5	600014	TAPER BEARING, 1.85 X .75 COMPLETE	1
6	600012	TAPER BEARING, 2.05 X .75 COMPLETE	1
7	T163	SEAL, 2.05 X 1.25 X .25	1
8	89481	HYDRAULIC CYLINDER, 2 X 4	1
9	89470	KICKER WHEEL MOUNT	1
10	G16	BUSHING, BRONZE	2
11	BFR229	WASHER, SHIM .185 X 1.281 ID X 2 OD	1
12	YPEX10015	EXPANSION PIN, 5/16 X 1-3/4	1
13	75862	SPRING, EXTENSION, CANDY CANE	1
14	FR71	RAKE WHEEL CENTER, 60 IN BLACK	1
15	FR73	BIGGY RAKE WHEEL TOOTH, 60 IN BLACK	40
16	FR74	RAKE TOOTH CLIP BLACK	10
17	FR72	RAKE WHEEL BAND, 60 IN BLACK	1
18	FR70	RH RAKE WHEEL COMPLETE, 60	1
19	YBCR12020	BOLT CARRIAGE, 3/8-16 X 1-1/4 G5 ZC	4
20	YBCR76005	BOLT CARRIAGE, M10-1.5 X 25MM 8.8 NF	20
21	YBCR16060	BOLT CARRIAGE, 1/2-13 X 7 G5 ZC	1
22	YBHH76015	BOLT HEX, M10-1.5 X 25 10.9 ZC	6
23	YNFG12006	NUT FLANGE, 3/8 GF	4
24	YNHX76015	NUT HEX, M10-1.5 NA CL10 ZC	26
25	YNFG16003	NUT FLANGE, 1/2 GF	1
26	YWLO76015	WASHER, LOCK, M10	6
27	G89	STRAIGHT ZERK, 1/4-28	1
28	8002	3/8 NPT MALE TO MALE ELBOW	1
29	CHM164	FITTING, 90, 6JIC X 3/8NPT	1
30	59235	BALL VALVE, 3/8 HIGH PRESSURE	1
31	CHM242	FITTING, TEE, 6JIC X 6JIC X 6JIC	2
32	CHM202	FITTING, ST, 06JIC, 06NPT	1
33	58144	IN-LINE CONNECTOR, ORIFICE, 6-XHX7-S .062	1
34	93195	HYDRAULIC HOSE, 6, 40.5	2
35	60034	GREASE NIPPLE	1
36	YNJM16005	NUT JAM, 1/2 A	2





FIGURE 11

OPTIONAL LIGHTS (AROLIGHT2)

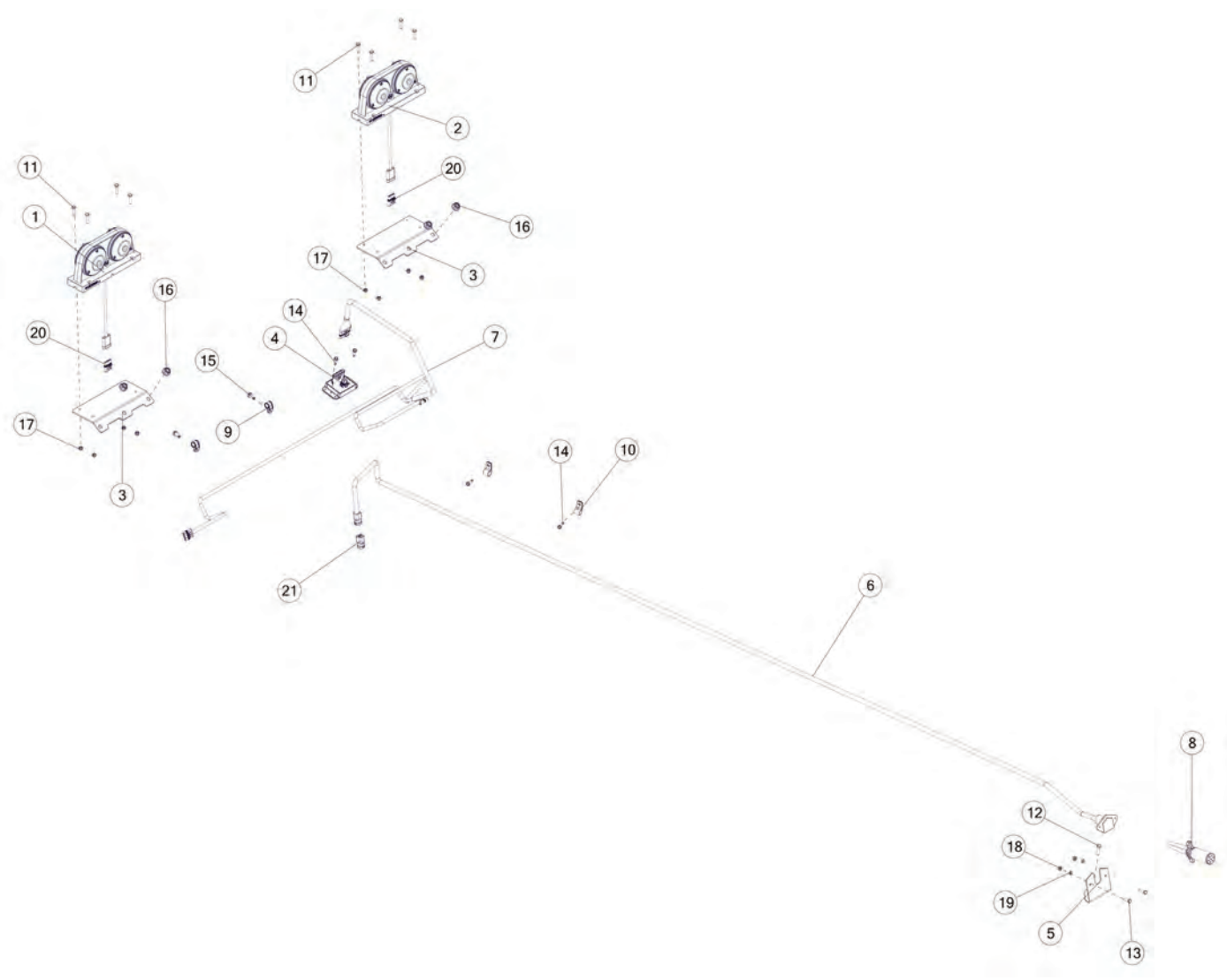
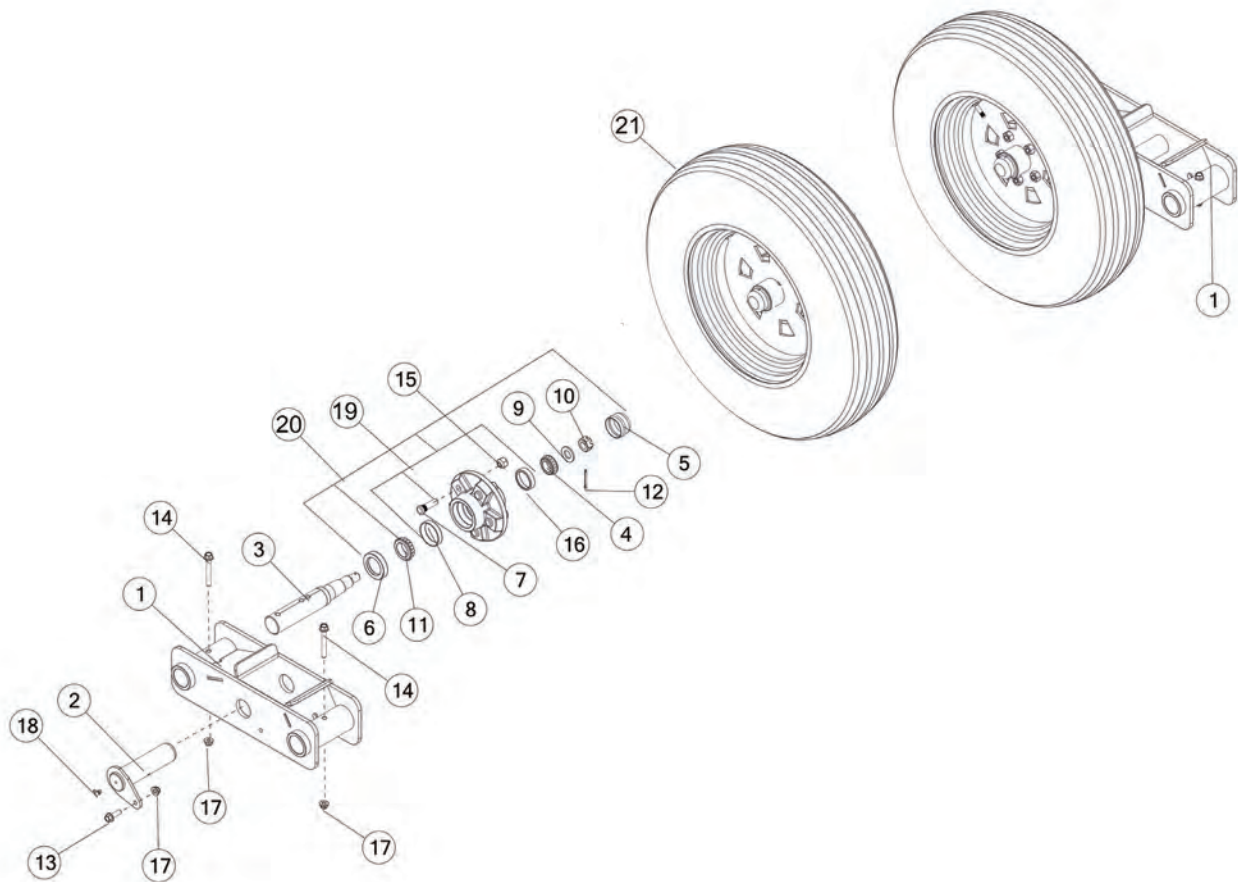




FIGURE 12

OPTIONAL TANDEM AXLE ASSEMBLY (ARO3TA)







Manufactured By:

H&S MANUFACTURING CO., INC.

2608 S. HUME AVE. MARSHFIELD, WI 54449
(715) 387-3414 | hsmfgco.com

