



9215
HI-DUMP
PARTS BOOK

Part #89763

HSMFG011723

Rev. #04

Starting Ser. #321HDB1511

STRONG HERITAGE - STRONG PEOPLE - STRONGER FUTURE



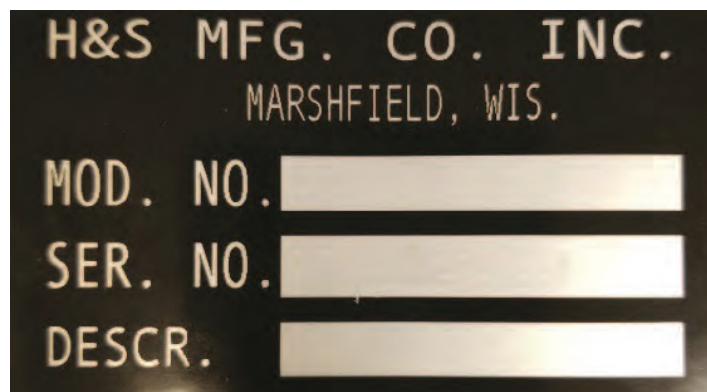
INSTRUCTIONS FOR ORDERING PARTS

All service parts should be ordered through your authorized H&S dealer. Your Dealership will be able to give you faster service if you will provide them with the following:

1. All references to left or right apply to the machine as viewed from the rear.
2. Parts should not be ordered from illustration only. Please order complete part number.
3. If your dealer has to order parts - give shipping instructions:

VIA truck - large pieces (please specify local truck lines)

VIA United Parcel Service (include full address)



MODEL & SERIAL NUMBER CAN BE LOCATED ON THE FRONT OF THE MAIN FRAME.

PLEASE RECORD NUMBERS FOR YOUR UNIT FOR QUICK REFERENCE

H&S IS CONTINUALLY STRIVING TO IMPROVE ITS PRODUCTS

We must, therefore, reserve the right to make improvements or changes whenever it becomes practical to do so, without incurring any obligation to make changes or additions to the equipment previously sold.





FIGURE 1
MAIN POLE AND COMPONENTS

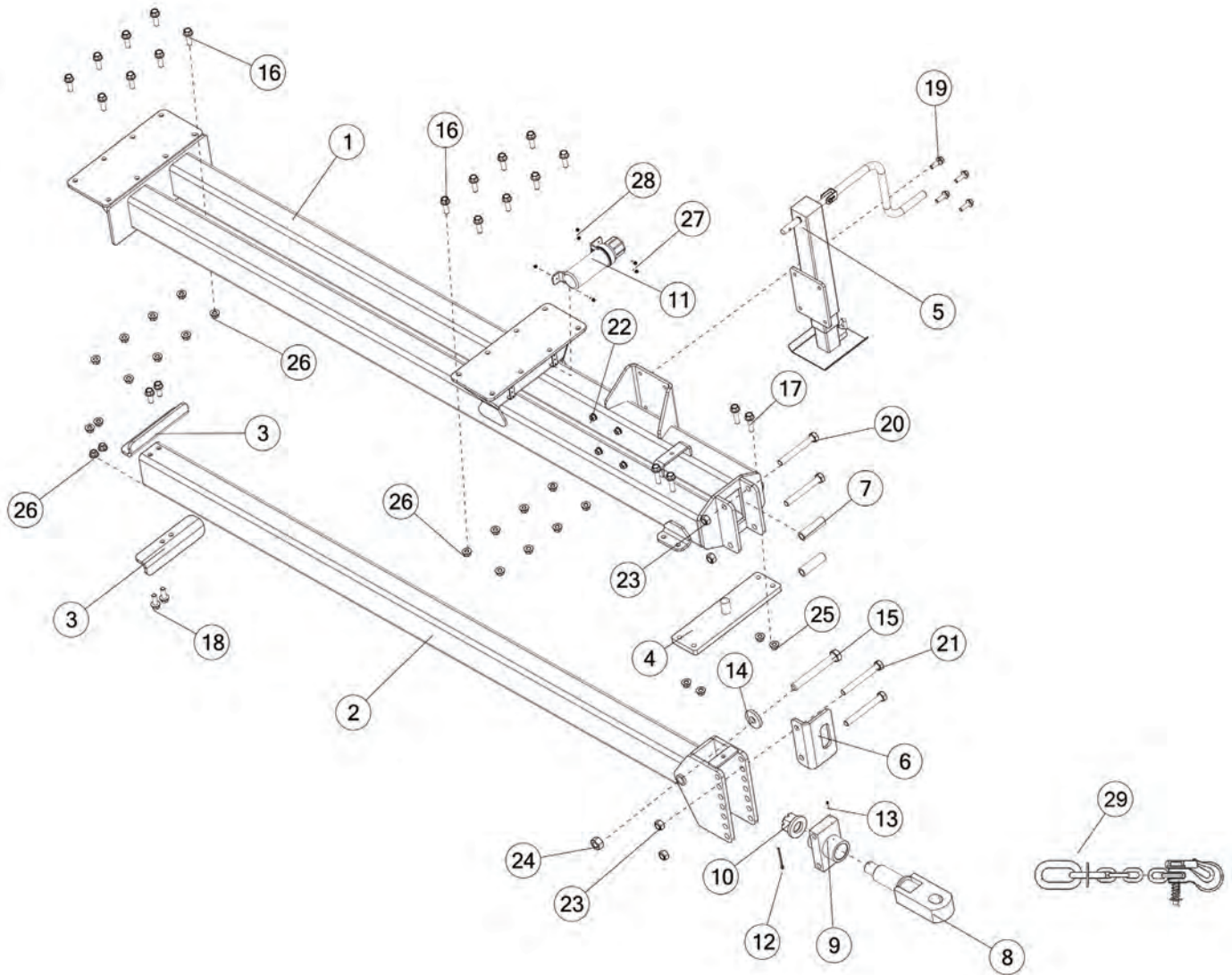




FIGURE 1 MAIN POLE AND COMPONENTS

REF #	PART #	DESCRIPTION	QTY
1	88547B	MAIN POLE	1
2	88588	ADJUSTABLE POLE	1
3	88594	POLE SUPPORT	2
4	88618	ADJUSTMENT PLATE	1
5	88787	SIDE WIND JACK	1
6	88769	SAFETY CHAIN LOOP	1
7	88619	POLE SPACER	2
8	88695	CLEVIS HITCH, SINGLE	1
9	88691	HITCH PIVOT	1
10	88698	HITCH PIVOT NUT	1
11	S522	MANUAL HOLDER	1
12	YPCT10020	COTTER PIN, 5/16 X 4	1
13	G89	STRAIGHT ZERK, 1/4-28	1
14	88825	WASHER, FLAT, 1-1/4	1
15	YBHH40010	BOLT HEX, 1-1/4 X 10, G5	1
16	YBFB24250	BOLT FLANGE, 3/4 X 2-1/2 G5	16
17	YBFB24300	BOLT FLANGE, 3/4 X 3 G5	4
18	YBFB24200	BOLT FLANGE, 3/4 X 2 G5	4
19	YBFB20200	BOLT FLANGE, 5/8 X 2 G5	4
20	YBHH32036	BOLT HEX, 1 X 8 G5	2
21	YBHH32850	BOLT HEX, 1 X 8 1/2 G5	2
22	YNFG20005	NUT FLANGE, 5/8-11 LKTL F	4
23	YNL32005	NUT HEX, 1-8, LKTL C	2
24	YNHX36010	NUT HEX, 1-1/4-7 A	1
25	YNFG24006	NUT HEX, FLANGED, TOP LOCK, 3/4-10 GG	4
26	YNFG24006	NUT HEX, FLANGED, TOP LOCK, 3/4-10 GG	18
27	YBFB08075	BOLT FLANGE, 1/4 x 3/4 G5	3
28	YNFG08010	NUT FLANGE, 1/4	3
29	SC60000	60000 SAFETY CHAIN - OPTIONAL	1





FIGURE 2 HUB AND COMPONENTS

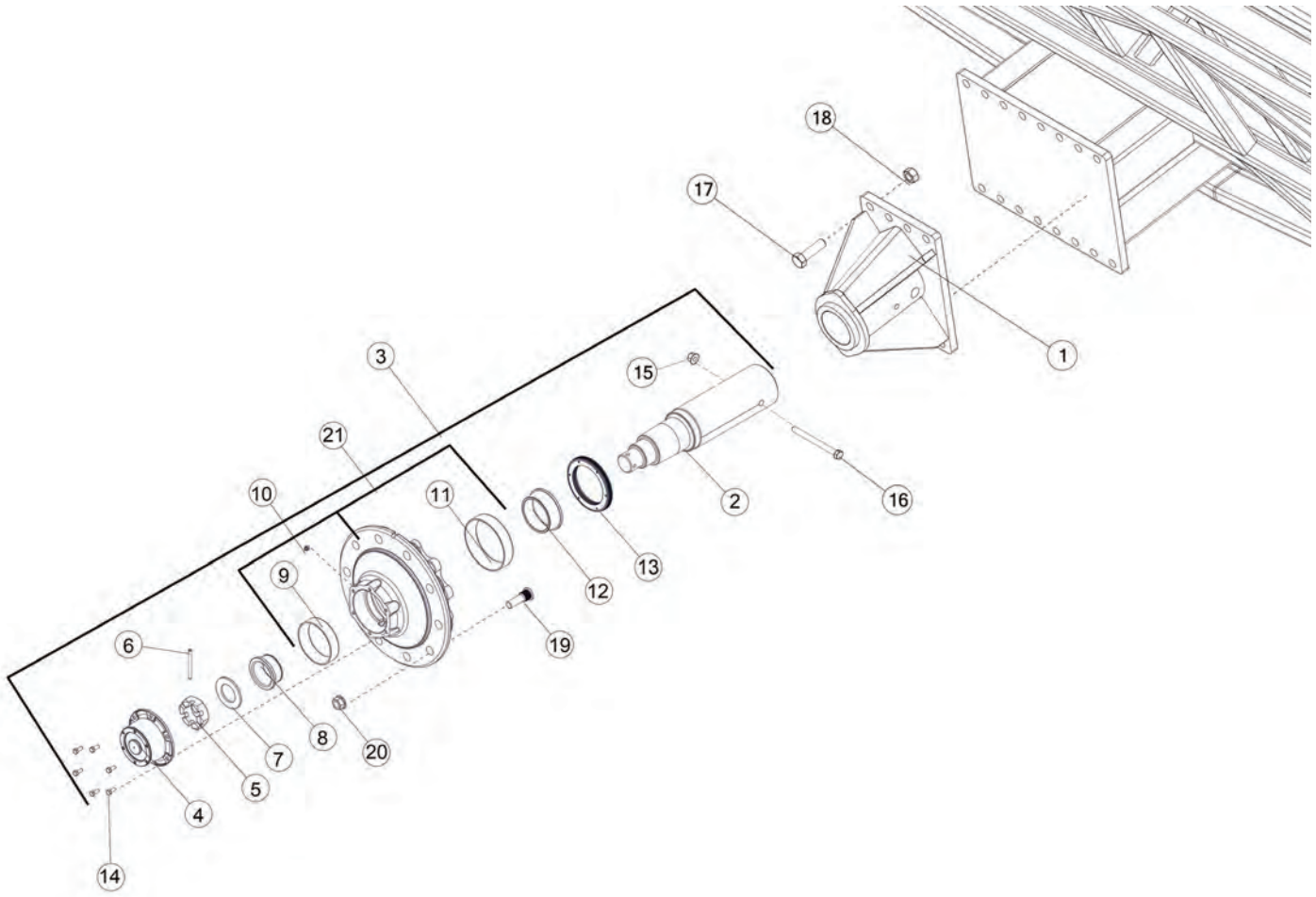




FIGURE 2 HUB AND COMPONENTS

REF #	PART #	DESCRIPTION	QTY
1	88700	SPINDLE RECEIVER	2
2	90297	SPINDLE	2
3	90289	HUB, OIL BATH ASSY	2
4	90291	OIL BATH CAP	2
5	YNSL44005	NUT SLOT, 2-12 NA G2 NF	2
6	YPEX12350	EXPANSION PIN, 3/8 X 3-1/2	2
7	90290	WASHER	2
8	TS391	OUTER BEARING	2
9	TS390	OUTER RACE	2
10	BFR28	GREASE ZERK, 1/8 NPT	2
11	TS389	INNER RACE	2
12	TS388	INNER BEARING	2
13	90298	OIL BATH SEAL	2
14	YBHH10105	BOLT HEX, 5/16 X 3/4 G5	12
15	YNFG20005	NUT FLANGE, 5/8-11 LKTL F ZC	2
16	YBHH20105	BOLT HEX, 5/8-11 X 7 G5 ZINC	2
17	YBHH32010	BOLT HEX, 1-8 X 3-1/2 G5	16
18	YNL32005	NUT HEX, 1-8 LKTL C ZC	16
19	YBSD24010	BOLT STUD, 3/4 UNF X 2-3/4	20
20	BFR618	NUT FLANGE, 3/4	20
21	90288	HUB SUB ASSEMBLY	2



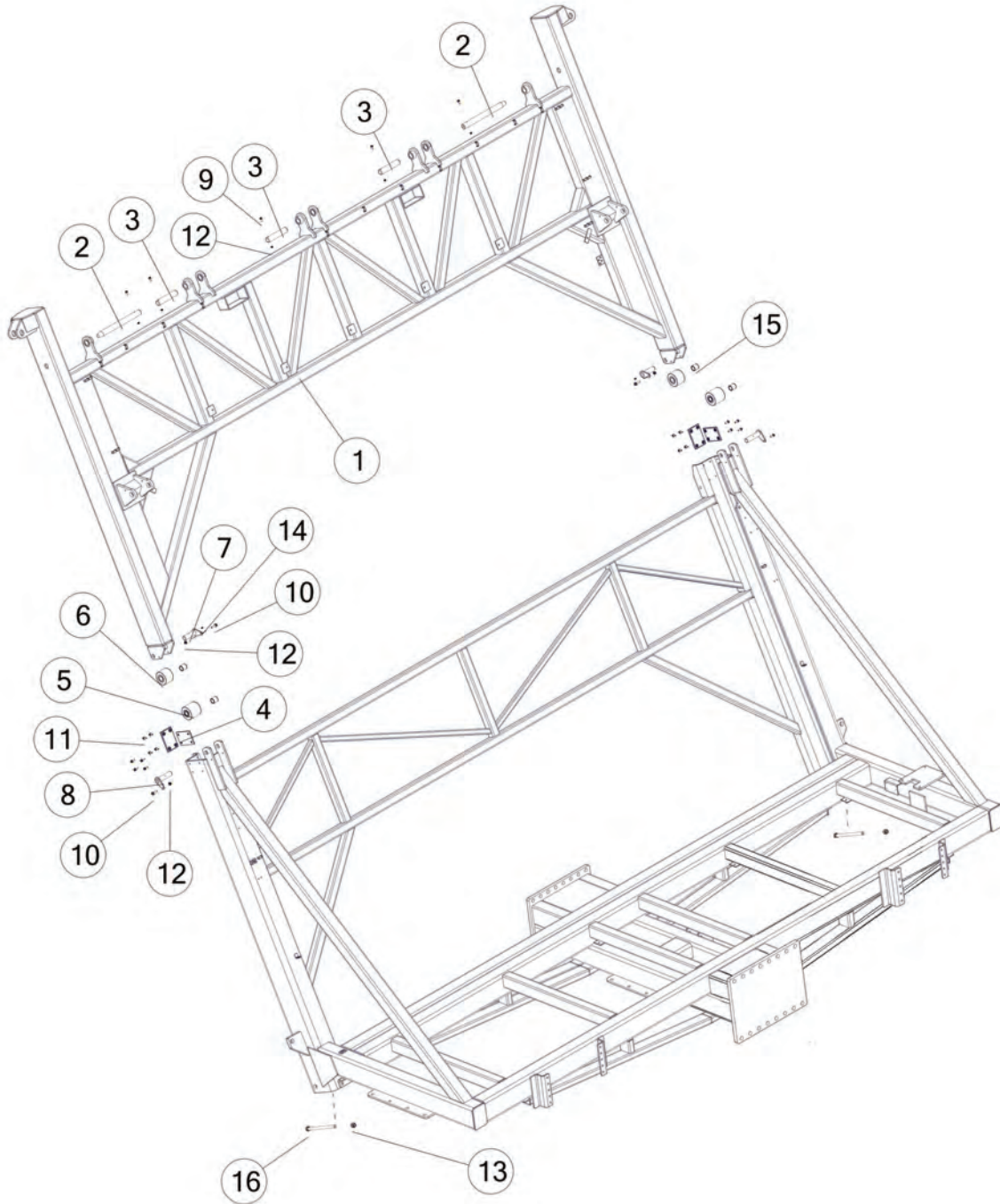




FIGURE 4 HYDRAULICS AND COMPONENTS

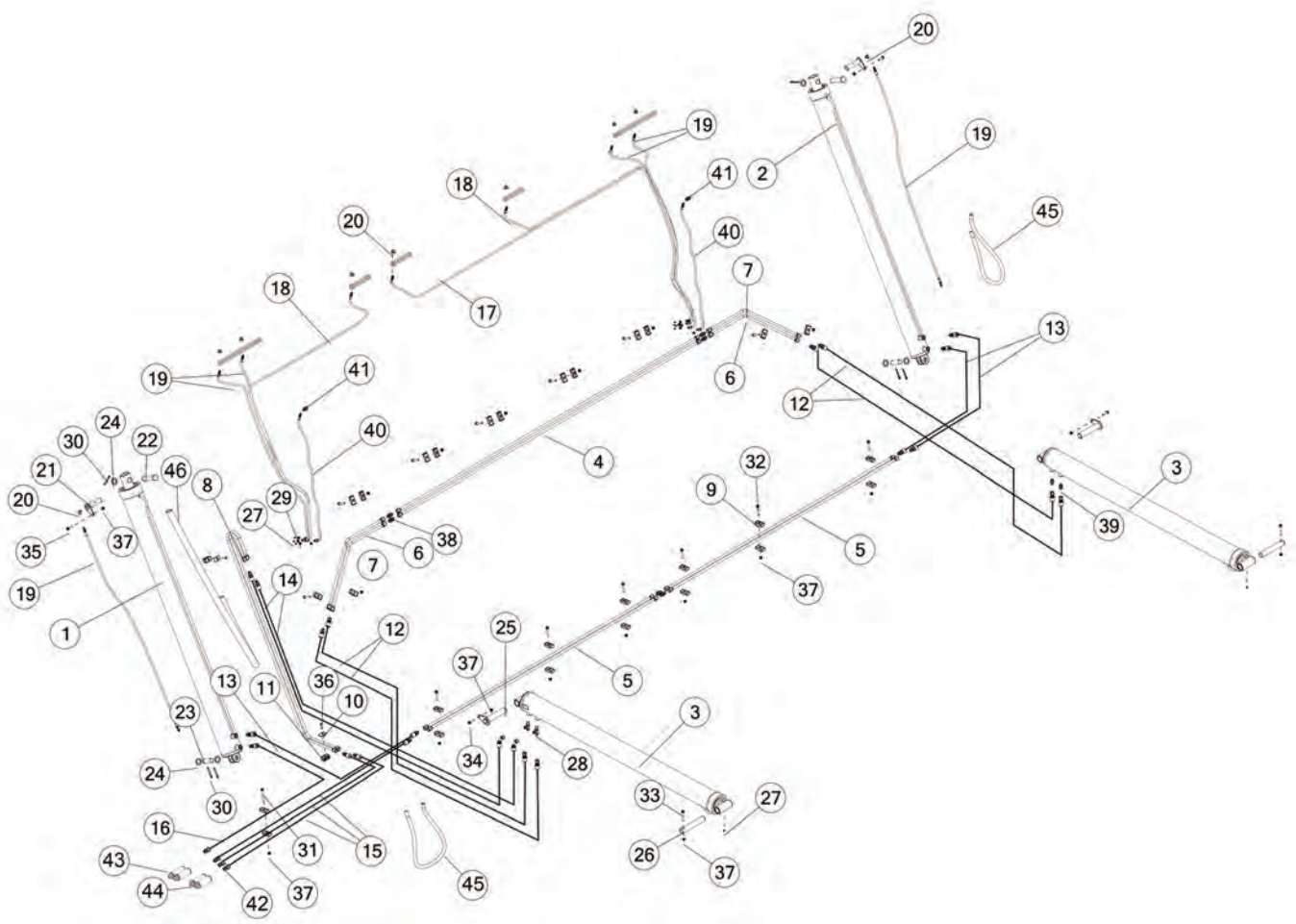




FIGURE 4

HYDRAULICS AND COMPONENTS

REF #	PART #	DESCRIPTION	QTY
1	88423	HYDRAULIC CYLINDER, 5-1/2 X 72	1
*	89037	SEAL KIT	1
2	88424	HYDRAULIC CYLINDER 4-3/4 X 72	1
*	89038	SEAL KIT	1
3	88425	HYDRAULIC CYLINDER, 5 X 71-1/4	2
*	89039	SEAL KIT	1
4	88529	HYDRAULIC TUBE, 5/8 X 119	2
5	88525	HYDRAULIC TUBE, 5/8 X 90	4
6	90036	HYDRAULIC TUBE	2
7	90034	HYDRAULIC TUBE	2
8	88738	HYDRAULIC TUBE	2
9	86567	DOUBLE CLAMP, UNIVERSAL	28
10	56563	CLAMP TOP PLATE	2
11	82667	HOSE CLAMP, DOUBLE, 5/8" TUBE	2
12	88881	HYDRAULIC HOSE, 8, 19-1/4	4
13	88556	HYDRAULIC HOSE, 8, 45-3/4	3
14	88919	HYDRAULIC HOSE, 8, 98-1/2	2
15	88918	HYDRAULIC HOSE, 8, 195	3
16	88916	HYDRAULIC HOSE, 8, 208	1
17	88889	GREASE HOSE, 3 X 157 1/4	1
18	88907	GREASE HOSE, 3 X 111	2
19	88909	GREASE HOSE, 3 X 66	4
20	89726	FITTING, 90, 1/8NPT, 1/8NPSM	8
21	88563	ROLLER PIN, UPPER	2
22	88560	CYLINDER PIN, UPPER LIFT	2
23	88559	CYLINDER PIN, LOWER LIFT	2
24	YWFL36005	WASHER, FLAT, SAE 1-1/4	6
25	88549	CYLINDER PIN, TILT	2
26	88631	HOPPER TILT PIN	2
27	G89	STRAIGHT ZERK, 1/4-28	9
28	77465	FITTING, T, 8 JIC, 8 ORB, 8 JIC, STL	2
29	YNJM04005	NUT JAM, 1/8	9
30	YPCT10005	COTTER PIN, 5/16 X 2-1/2	3
31	YBFB12350	BOLT FLANGE, 3/8 X 3-1/2 G5	1
32	YBFB12250	BOLT FLANGE, 3/8 X 2-1/2 G5	13
33	YBFB12300	BOLT FLANGE, 3/8 X 3 G5	2
34	YBFB12175	BOLT FLANGE, 3/8 X 1-3/4 G5	2
35	YBFB12150	BOLT FLANGE, 3/8 X 1-1/2 G5	2
36	56568	CLAMP BOLT 5/16-18 x 1-3/8	2



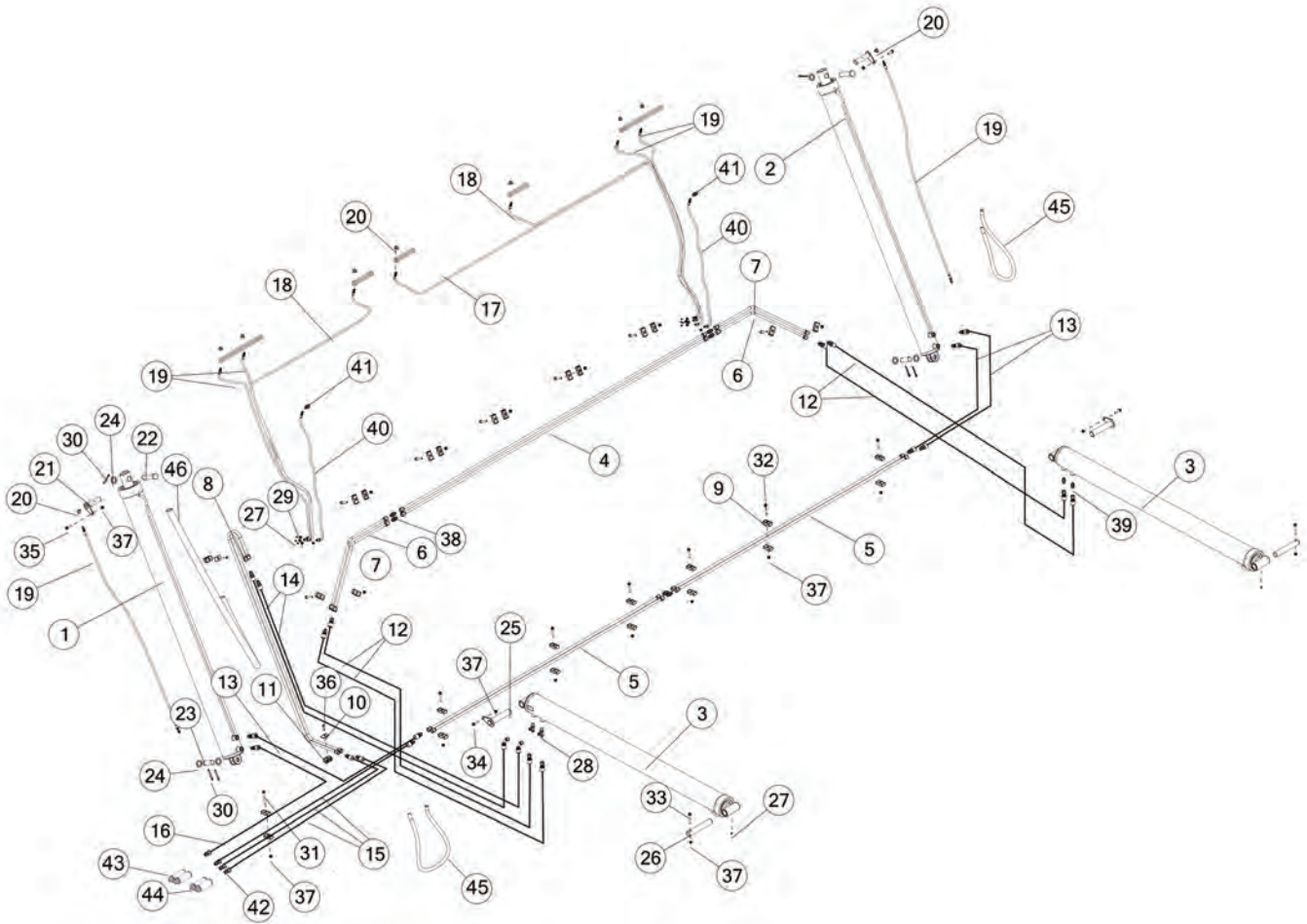




FIGURE 5 HOPPER COMPONENTS

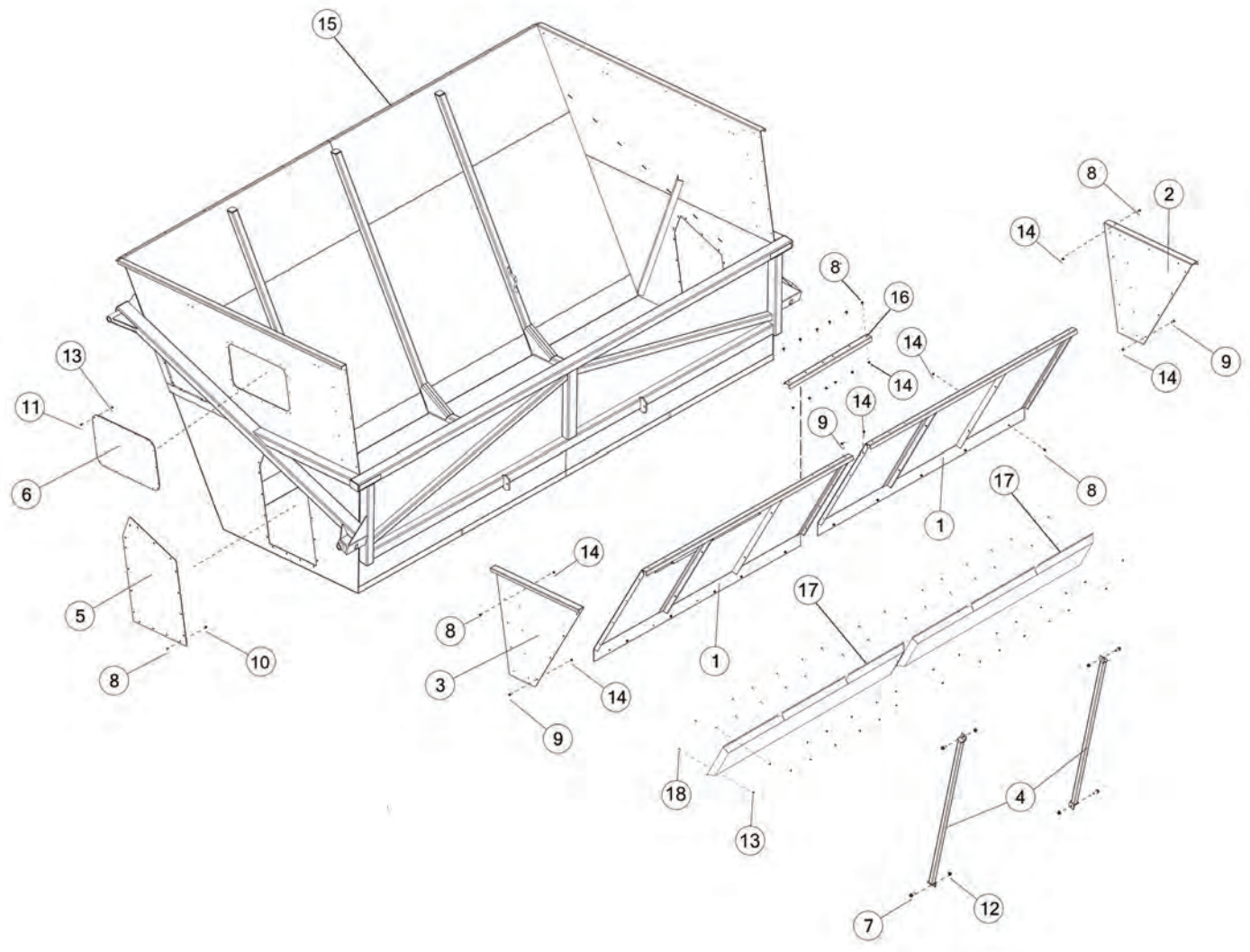




FIGURE 6 LIGHTS

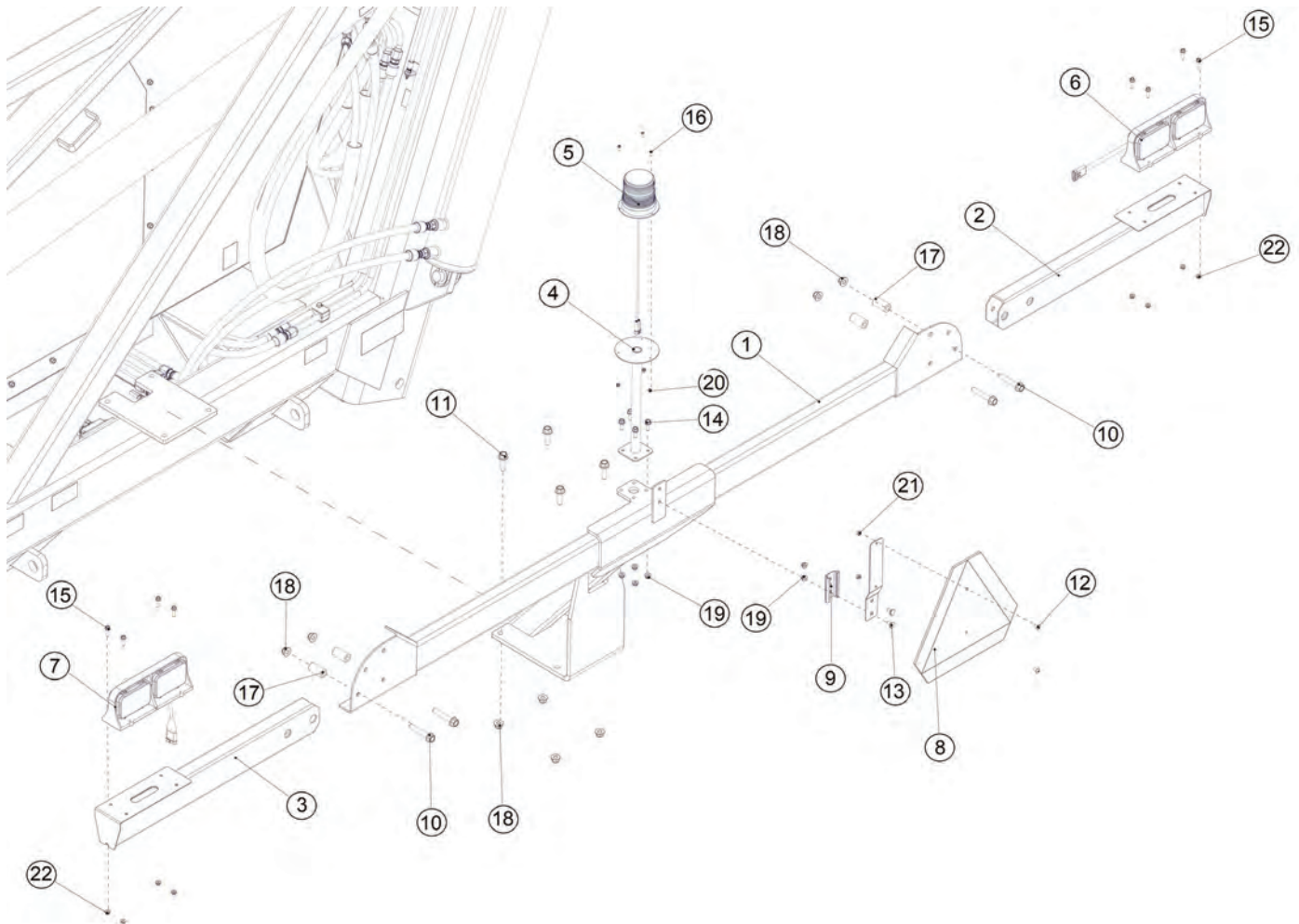




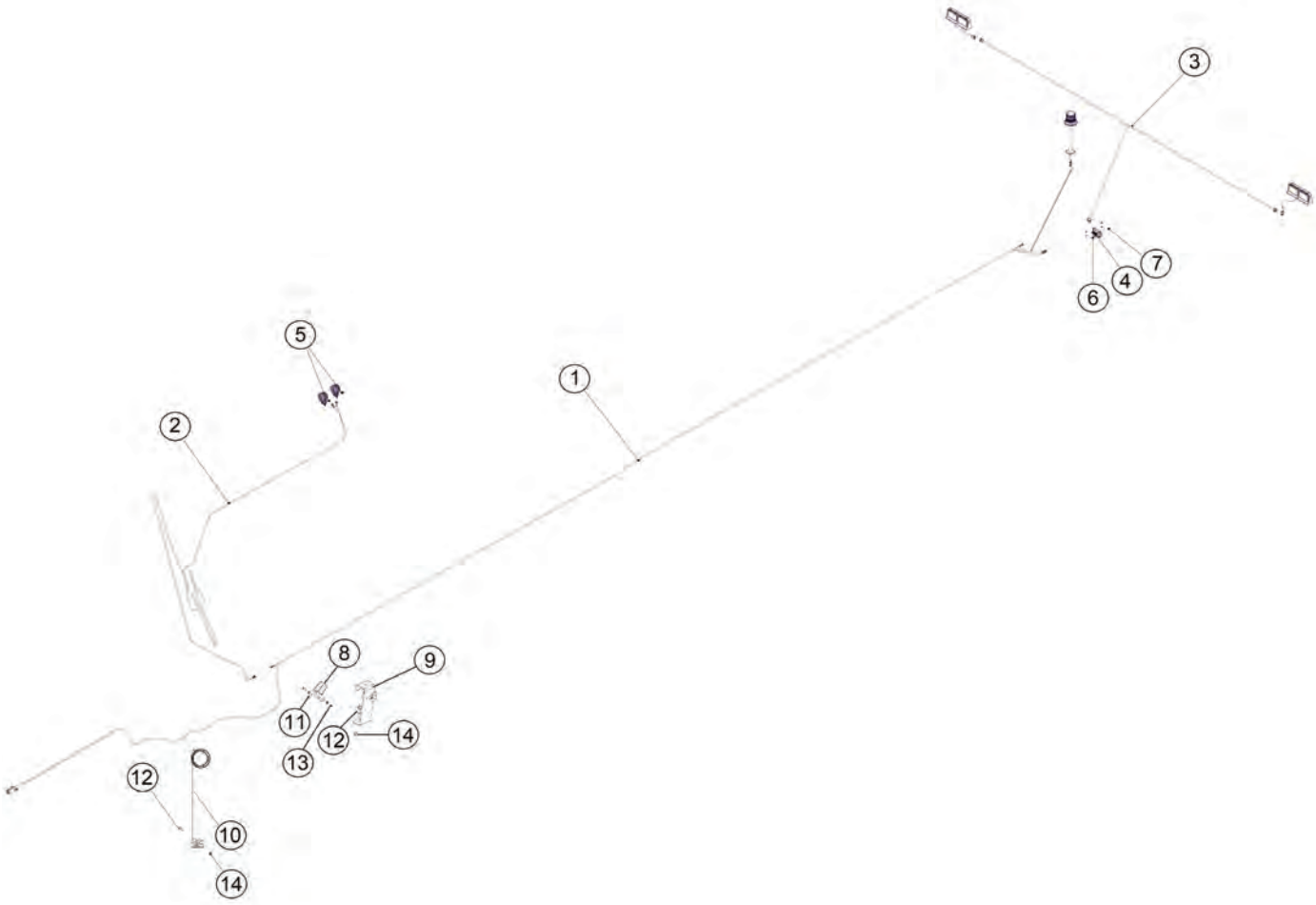
FIGURE 6 LIGHTS

REF #	PART #	DESCRIPTION	QTY
1	90106	MAIN LIGHT MOUNT BRACKET	1
2	90114B	LIGHT BAR, RH W/DECALS	1
3	90118B	LIGHT BAR, LH W/DECALS	1
4	94099	BEACON MOUNT	1
5	94253	BEACON LIGHT	1
6	TFM71	TAIL LIGHT, LH	1
7	TFM72	LED TAIL LIGHT ASSY. RH	1
8	BFR723	SMV SIGN KIT	1
9	F97	SMV BRACKET	1
10	YBFB16300	BOLT FLANGE, 1/2 X 3 G5	4
11	YBFB16175	BOLT FLANGE, 1/2 X 1-3/4 G5	4
12	YSTP08005	TRUSS HEAD PHILLIPS MACH. SCREW, 1/4-20 X 1/2	2
13	YBCR10030	BOLT CARRIAGE, 5/16-18 X 3/4 G5 ZC	2
14	YBFB10001	BOLT FLANGE, 5/16 X 1 G5	4
15	YBFB08100	BOLT FLANGE, 1/4 X 1 G5	8
16	YSPP62006	PPHMS, #8-32 X .5	3
17	90116	SPACER	4
18	YNFG16003	NUT FLANGE, 1/2 GF	10
19	YNFG10005	NUT FLANGE, 5/16 GF	6
20	YNNY62005	NUT HEX, #8-32 LKNY G2 ZC	3
21	YNHX08005	NUT HEX, 1/4-20 NA A ZC	2
22	YNFG08010	NUT FLANGE, 1/4 GF	10
*	59057	ELECTRICAL, PLUG, PIN, MALE	2
*	74126	SEAL, WTHRPK, 14/16 AWG	2
*	94370	ELEC, WTHRPK, 2 WAY, MALE	1
*	94427	BEACON LIGHT ASSEMBLY (94253,59057,74126,94370)	1





FIGURE 7 ELECTRICAL



REF #	PART #	DESCRIPTION	QTY
1	94611	HARNESS, MAIN	1
2	94311	WORK LIGHT HARNESS	1
3	88794	ELECTRIC HARNESS, REAR LIGHT	1
4	69908	MODULE, CONTROL, BLINKER	1
5	94339	WORK LIGHT ASSEMBLY	2
6	YSPN64005	MACHINE PPHS, #10-24 X 5/8 ZINC	3
7	YNNY64005	NUT HEX, #10-24 LKNY G2 ZC	3
8	CHM38	PLUG STORAGE	1
9	94608	HOSE HOLDER	1
10	94001	HOSE HOLDER	1
11	YBFB08075	BOLT FLANGE, 1/4 X 3/4 G5	2
21	YBFB16150	BOLT FLANGE, 1/2 X 1-1/2 G5	2
13	YNFG08010	NUT FLANGE , 1/4 GF	2
14	YNFG16003	NUT FLANGE, 1/2 GF	2



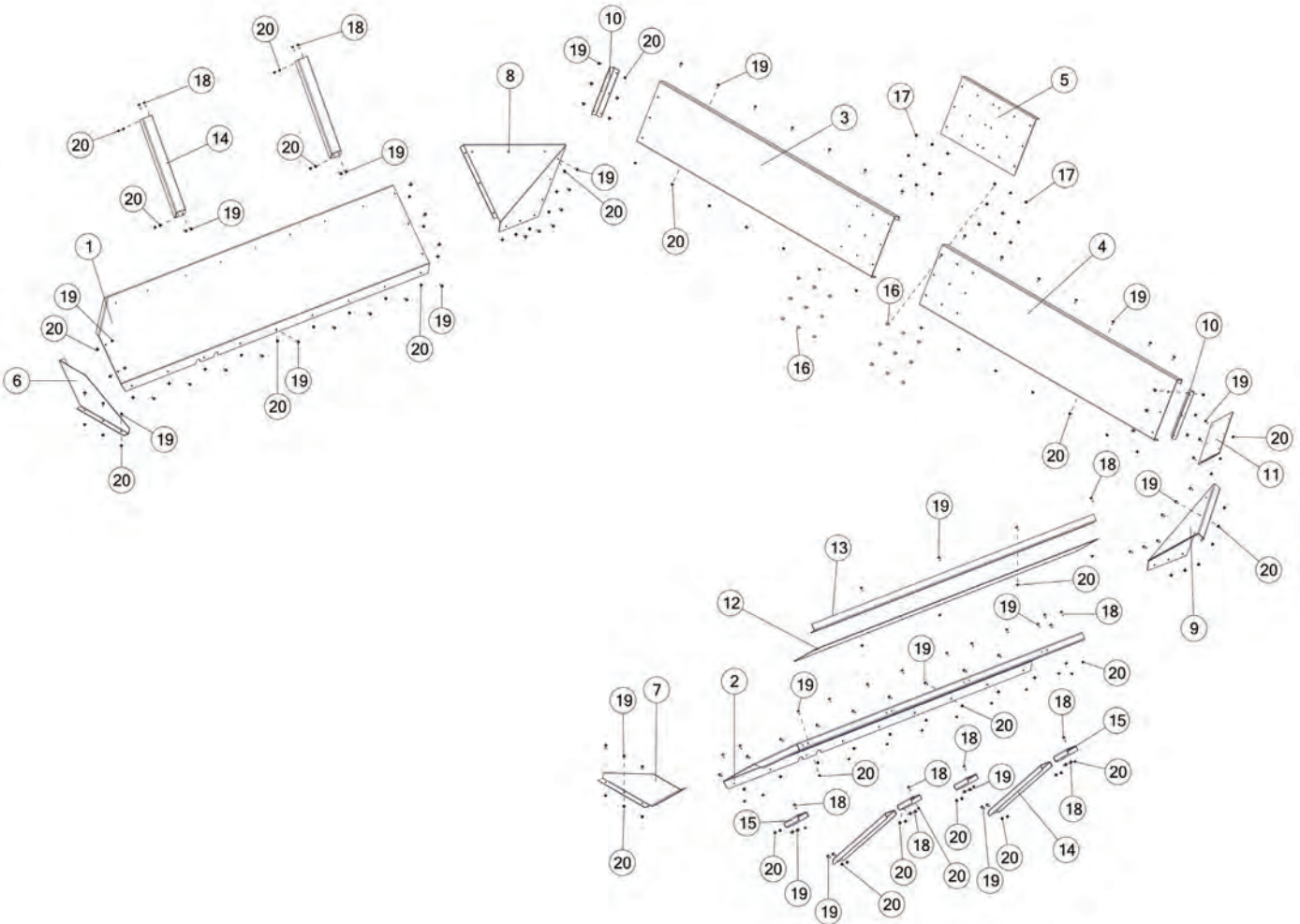




FIGURE 9
HDBO2WB OPTION
WEIGHT BOX

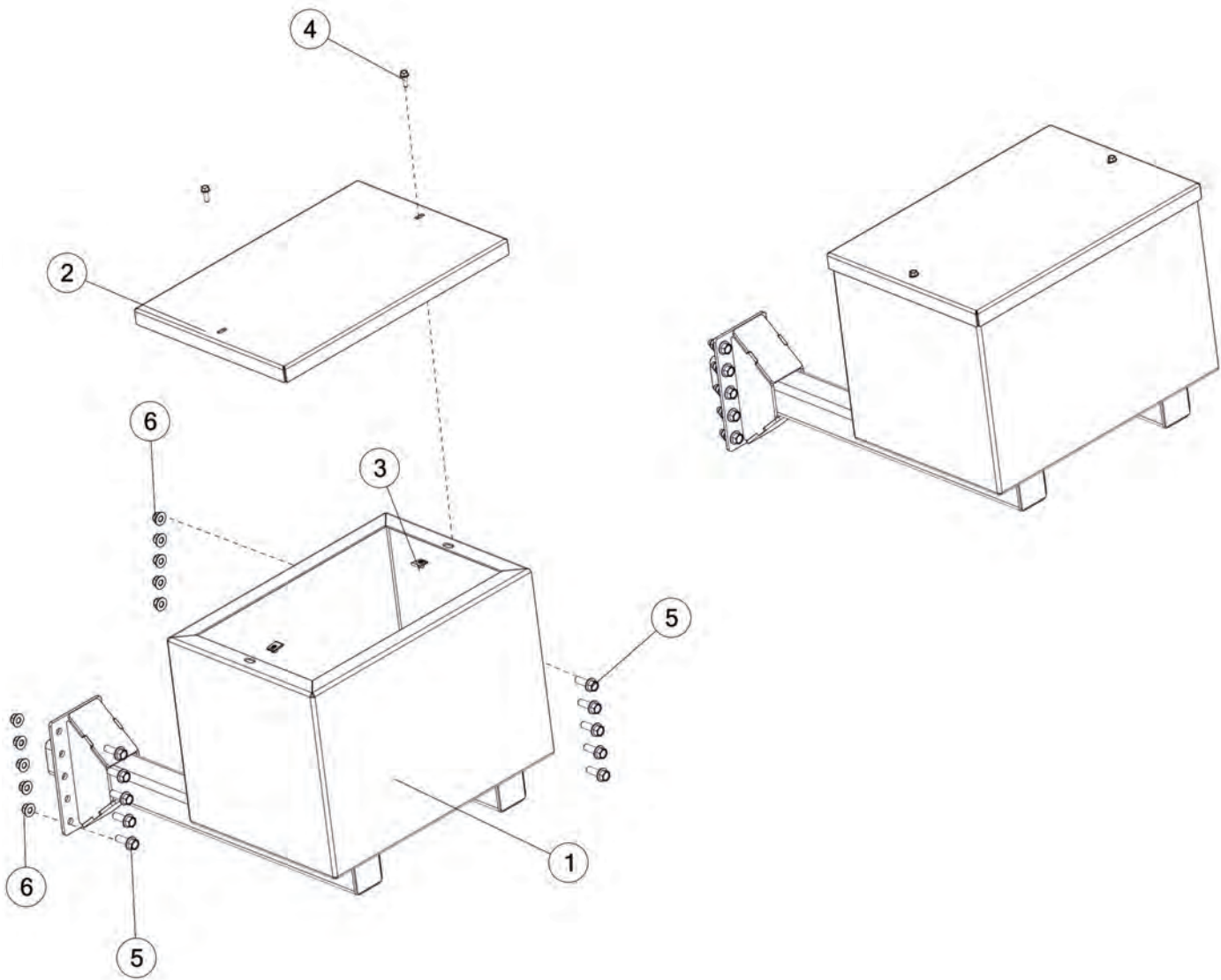




FIGURE 9

HDBO2WB OPTION

WEIGHT BOX

REF #	PART #	DESCRIPTION	QTY
1	88771	WEIGHT BOX	2
2	88813	WEIGHT BOX LID	2
3	84124	U NUT, 5/16-18, .15 X .562	4
4	YBFB10001	BOLT FLANGE, 5/16 X 1 G5	4
5	YBFB16150	BOLT FLANGE, 1/2 X 1-1/2 G5	20
6	YNFG16003	NUT FLANGE, 1/2 GF	20





FIGURE 10
TWP303R OPTION
TIRE AND WHEEL

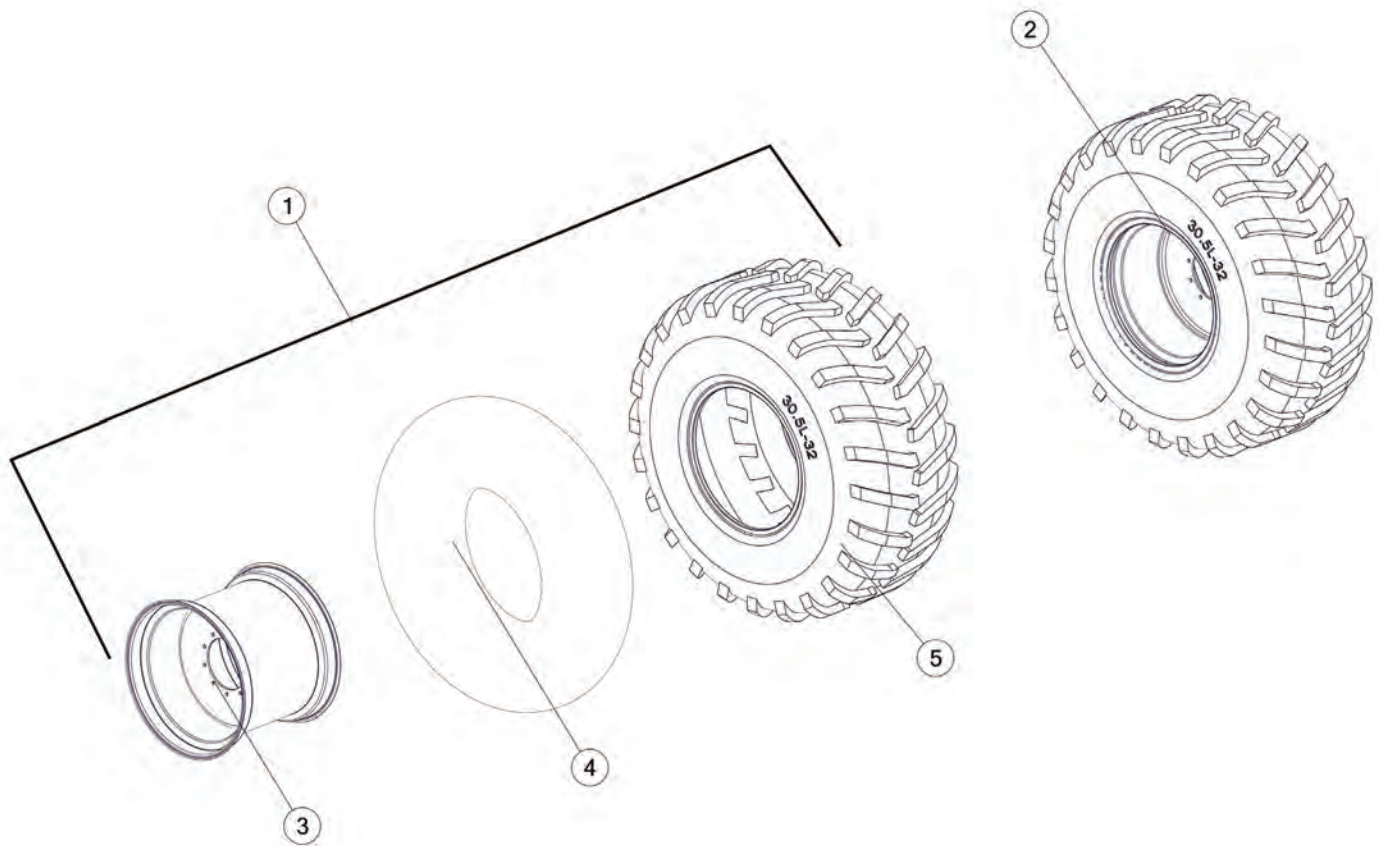




FIGURE 11
HDBOWBW OPTION
WEIGHT BRACKET

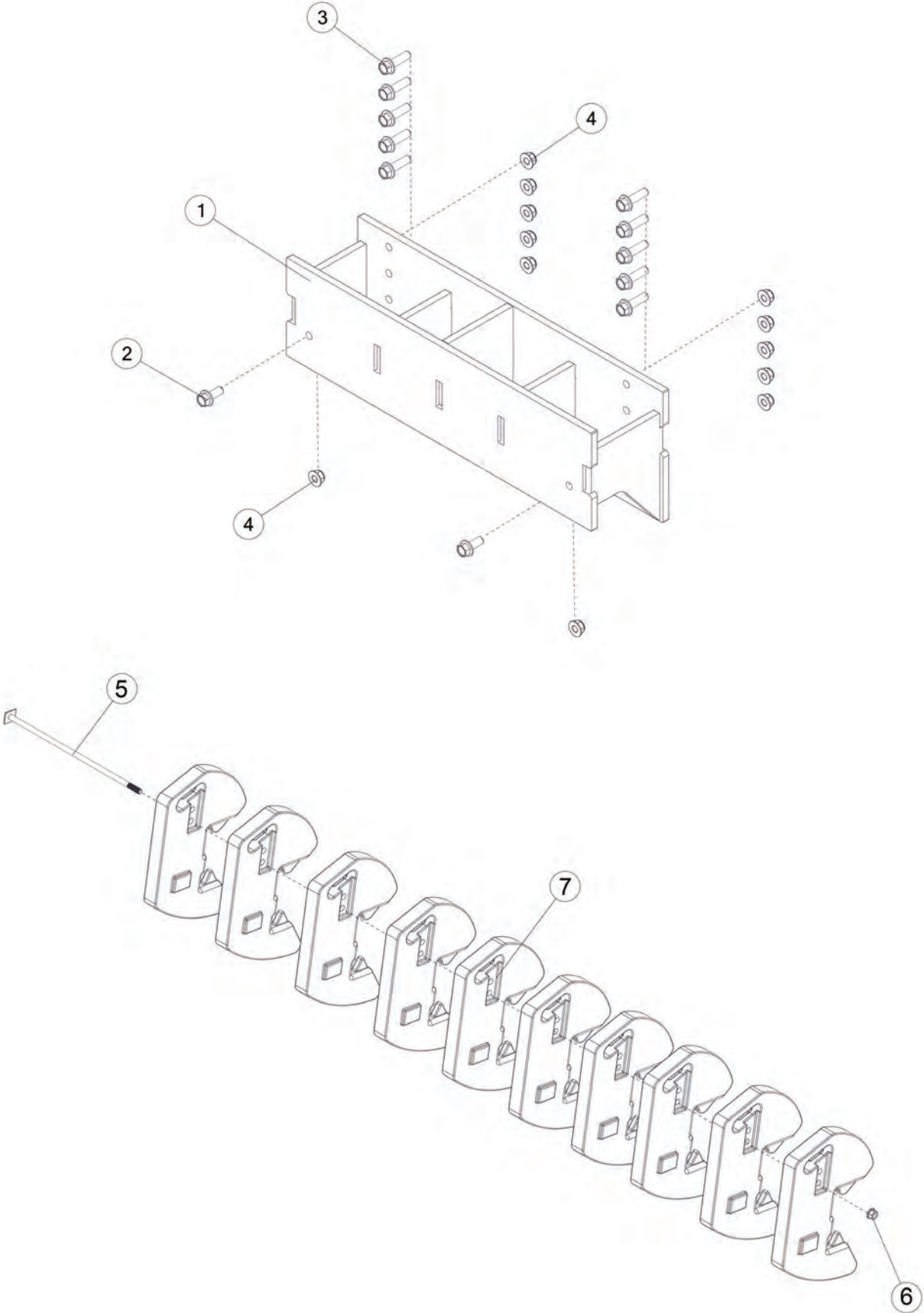




FIGURE 11

HDBOWBW OPTION WEIGHT BRACKET

REF #	PART #	DESCRIPTION	QTY
1	90174	SUITCASE WEIGHT BRACKET	2
2	YBFB16125	BOLT FLANGE, 1/2 X 1-1/4 G5	4
3	YBFB16175	BOLT FLANGE, 1/2 X 1-3/4 G5	20
4	YNFG16003	NUT FLANGE, 1/2 GF	24
5	90659	SUITCASE WEIGHT ROD	2
6	YNFG20005	NUT FLANGE , 5/8	2
7	90172	SUITCASE WEIGHT, 100 LB	20





H&S MFG. CO.
products approved
for the
FEMA
SEAL OF QUALITY



Manufactured by:
H&S MANUFACTURING CO., INC.
2608 S. HUME AVE. MARSHFIELD, WI 54449
(715) 387-3414 | hsmfgco.com

