

FIGURE 1 **BULLNOSE HITCH & COMPONENTS**

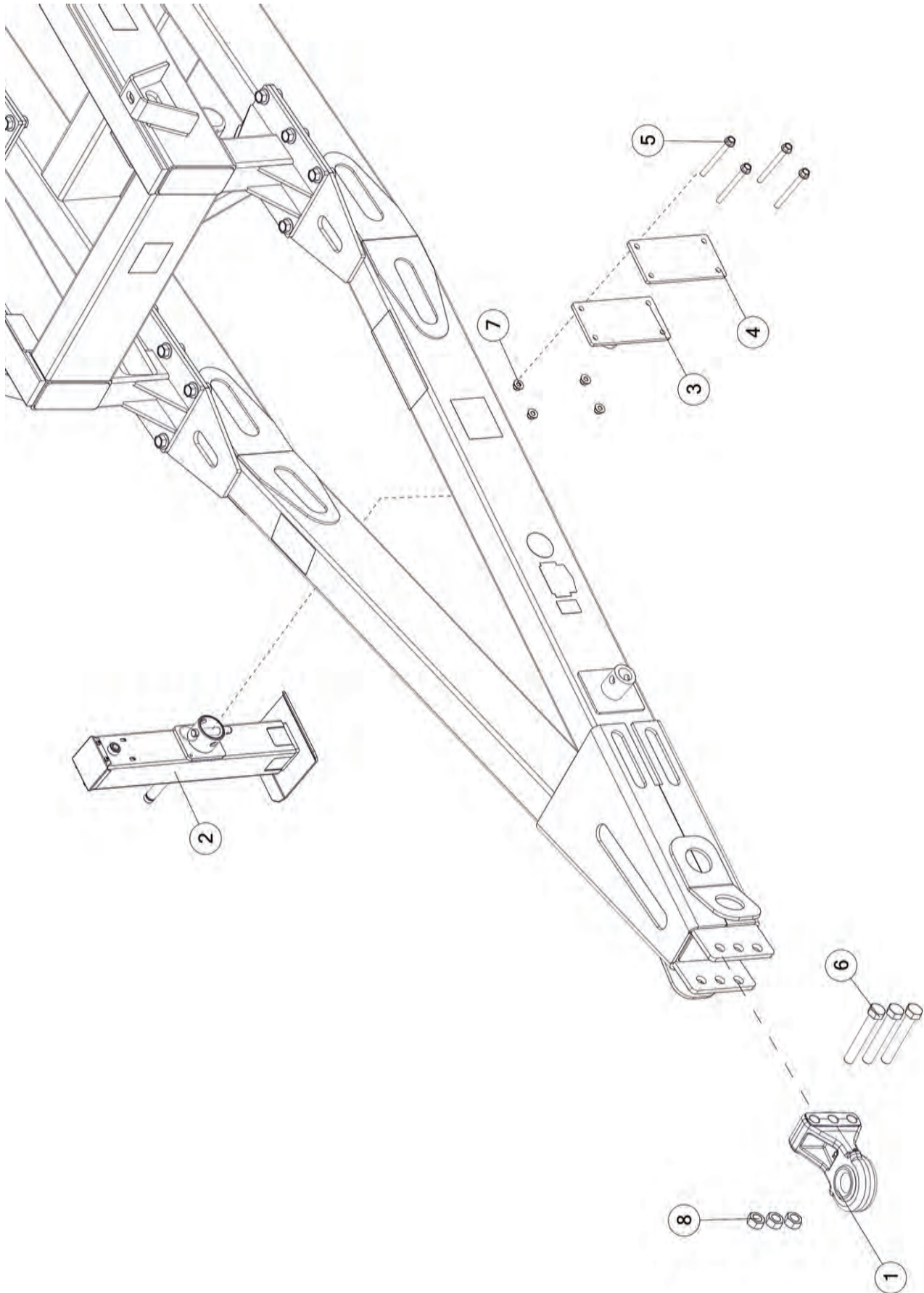


FIGURE 2
FRONT POLE & COMPONENTS

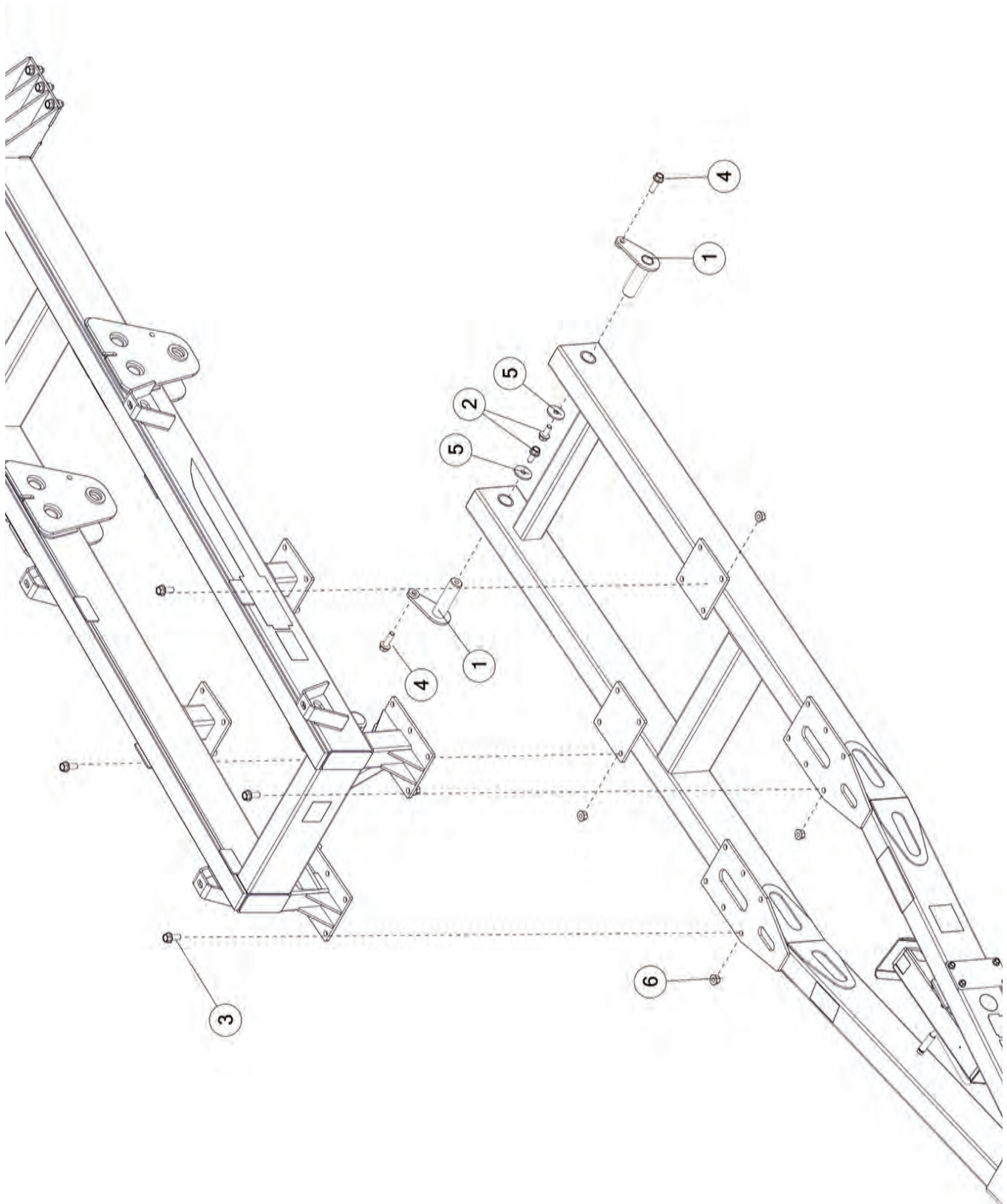


FIGURE 3
MANUAL HOLDER

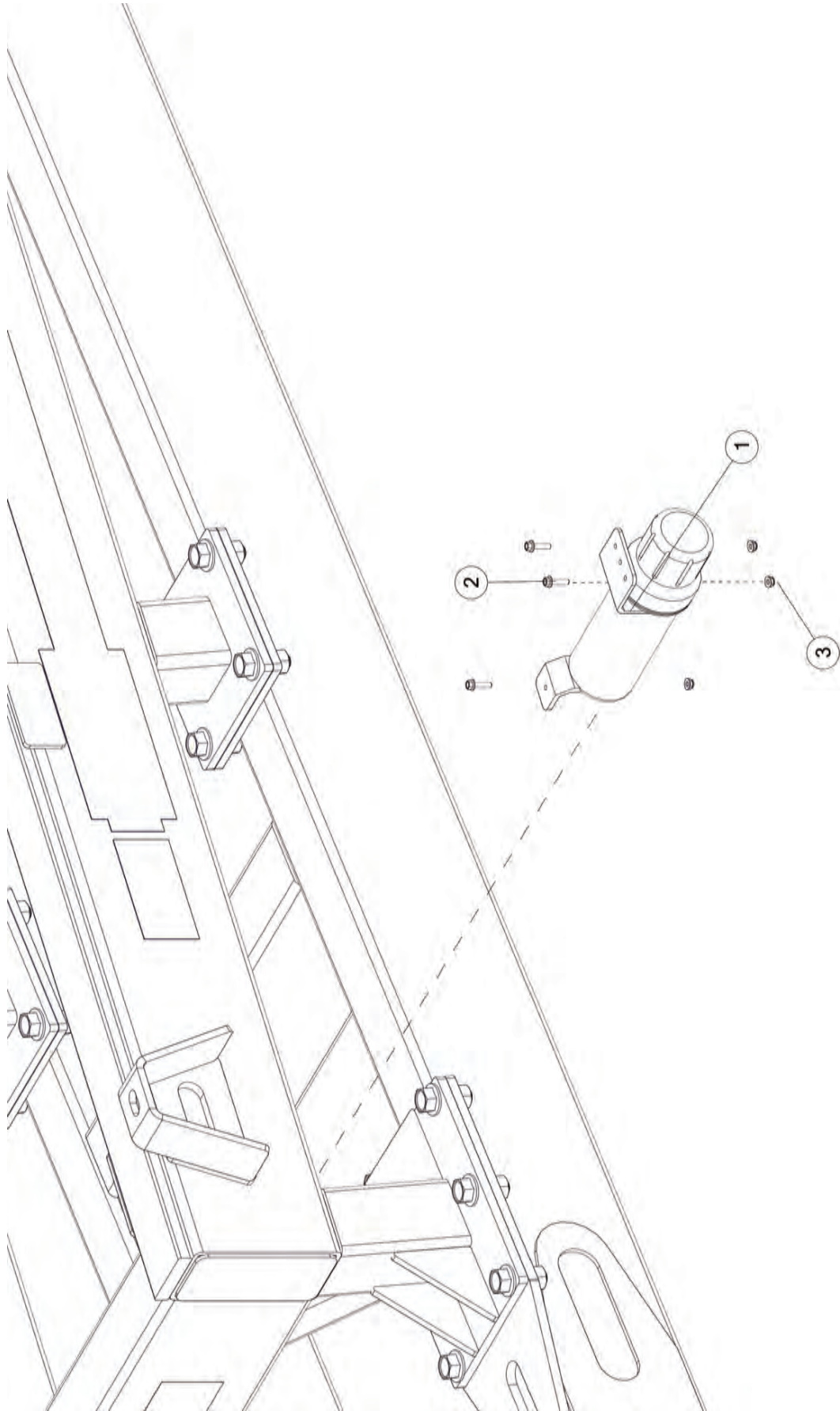


FIGURE 5
SUSPENSION FRAME & AXLE (OPTIONAL)

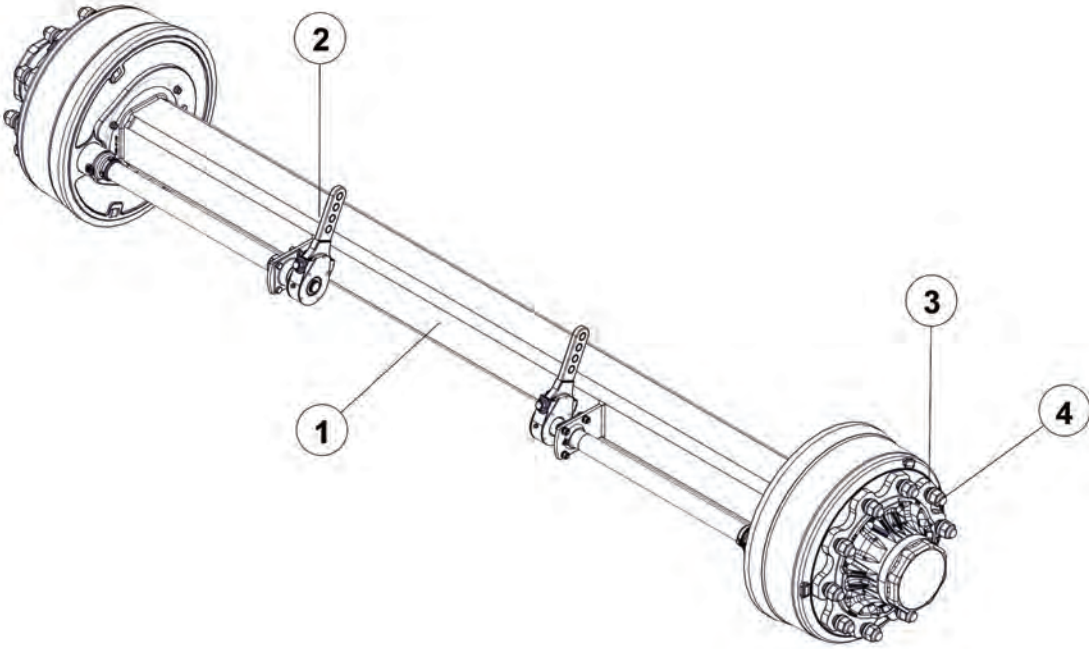


FIGURE 6 BRAKES & COMPONENTS

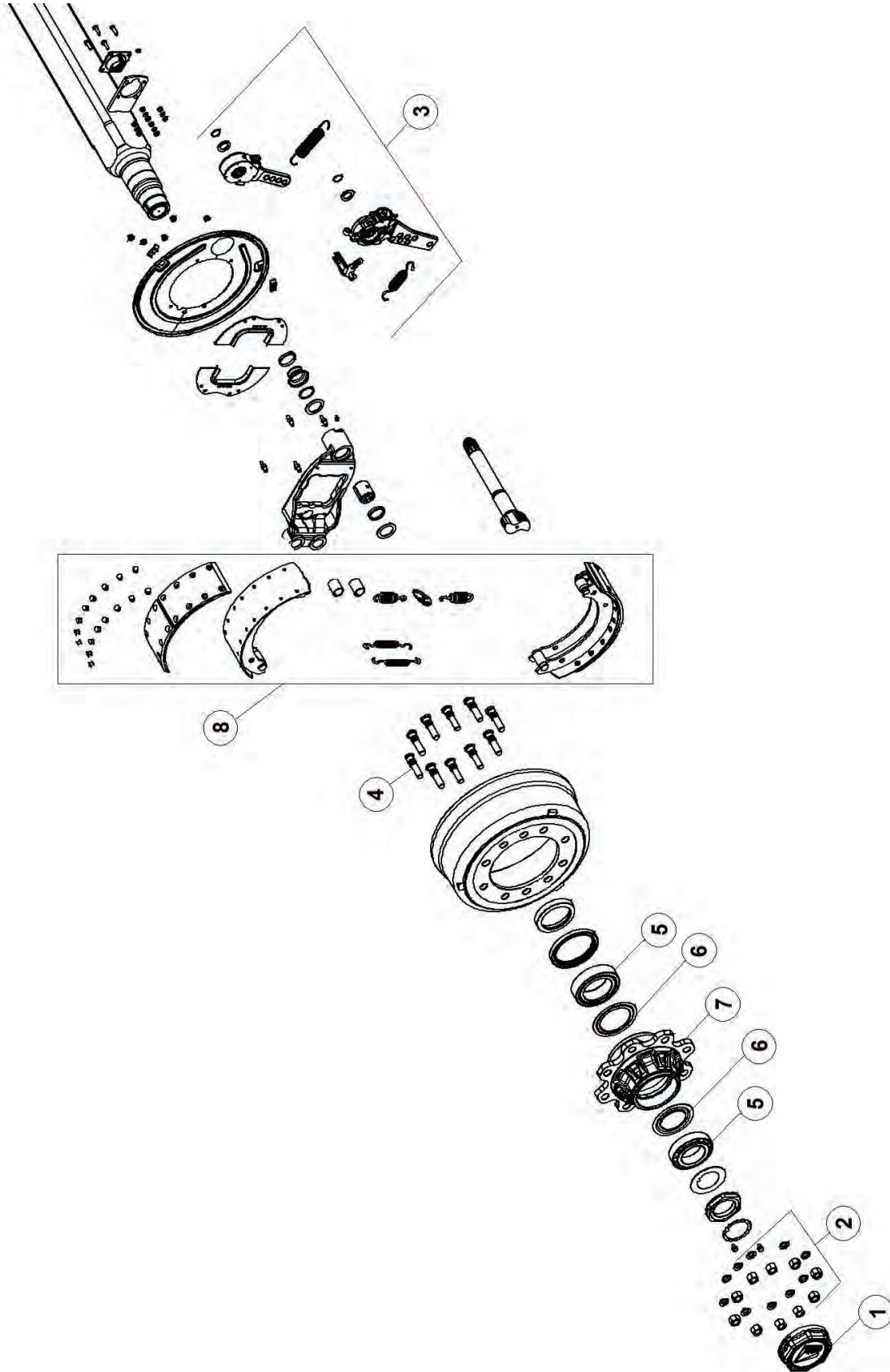


FIGURE 7
SUSPENSION & COMPONENTS

FIGURE 7
SUSPENSION & COMPONENTS

<u>ITEM</u>	<u>QTY</u>	<u>PART#</u>	<u>DESCRIPTION</u>
1	4	85472	U-BOLT CLAMP
2	6	85471	TIE ROD ADJUSTABLE
3	2	85474	TIE ROD FIXED
4	8	85479	U-BOLT SEAT LEAF SPRING
5	8	85480	U-BOLT

FIGURE 8
CYLINDER BRAKING & COMPONENTS (OPTIONAL)

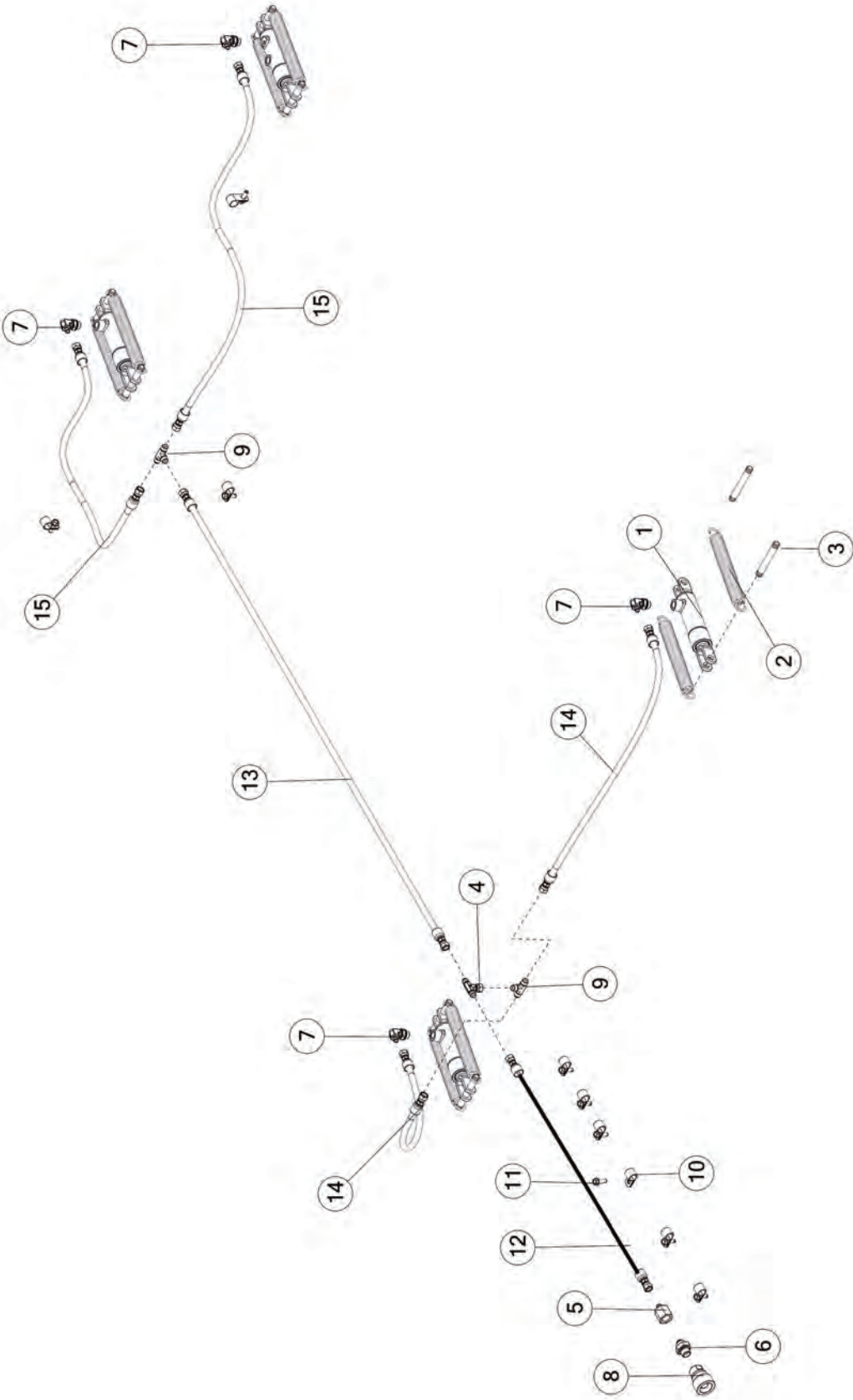


FIGURE 8

CYLINDER BRAKING & COMPONENTS (OPTIONAL)

<u>ITEM</u>	<u>QTY</u>	<u>PART#</u>	<u>DESCRIPTION</u>
1	4	85218	CYLINDER BRAKING SINGLE ACTION
2	8	85219	BRAKE CYLINDER RETURN SPRING
3	8	85220	PINS FOR 2 SPRINGS FOR BRAKING CYLINDER
4	4	58137	FITTING 6 S6X-S
5	4	58154	FITTING 6-8 GTX-S
6	4	82181	FITTING ST, 1/2-14BSPP,1/2 JIC
7	4	82182	FITTING 90, 3/8 BSPP,3/8JIC
8	4	82982	3/8IN BSP FEMALE O-RING FV COUPLER
9	5	CHM225	FITTING, T, 6 JIC, 6 JIC, 6 JIC, STL
10	9	HGV72	CUSHION WIRE CLAMP, 3/4
11	9	YSST10005	SELF THREADING FLANGE BOLT
12	1	85249	HYDRAULIC HOSE, 4 X 339
13	1	85259	HYDRAULIC HOSE, 4 X 60
14	2	85251	HYDRAULIC HOSE, 4 X 36
15	2	85257	HYDRAULIC HOSE, 4 X 48

FIGURE 9
TIRES (OPTIONAL)

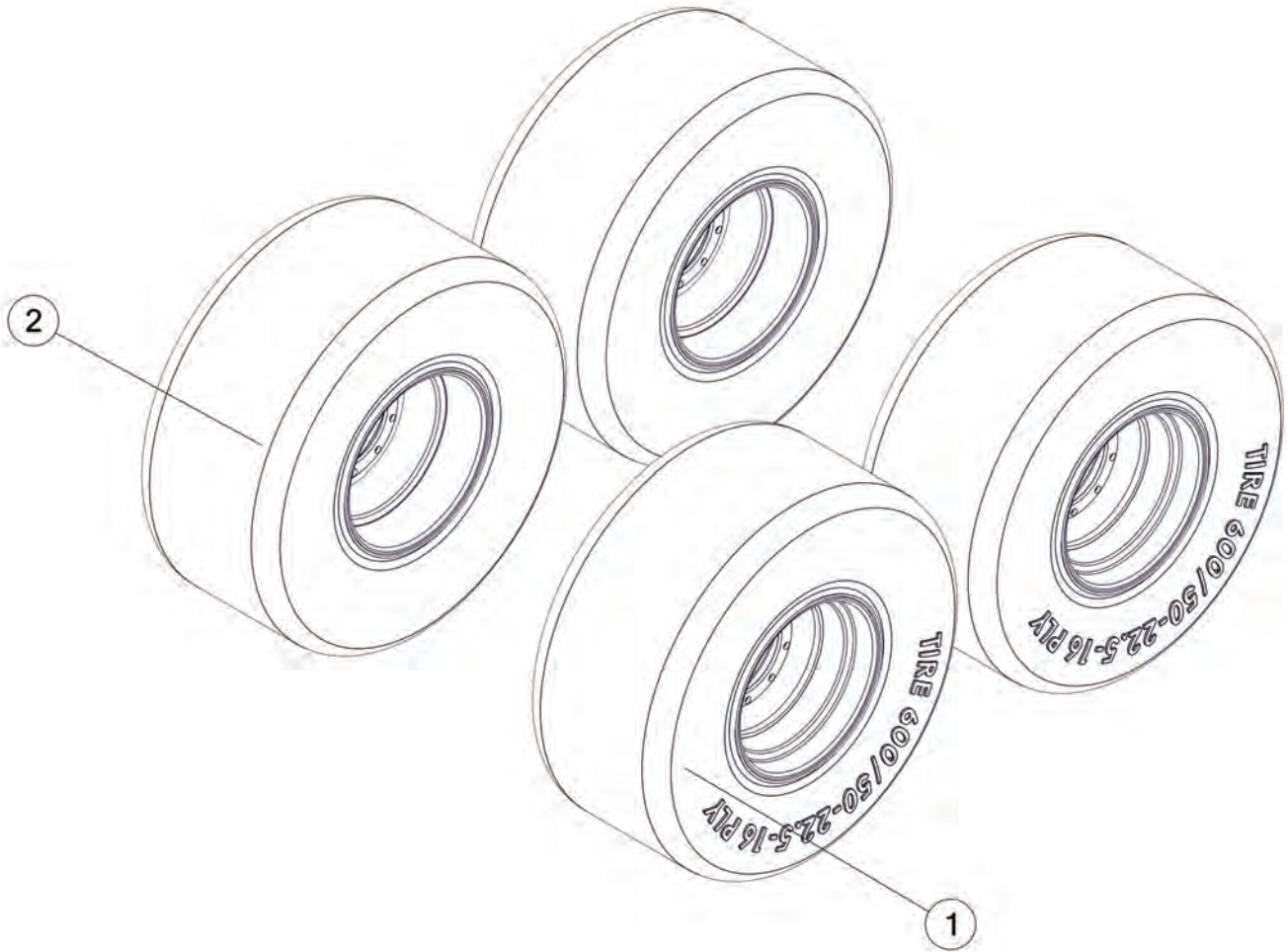


FIGURE 9
TIRES (OPTIONAL)

<u>ITEM</u>	<u>QTY</u>	<u>PART#</u>	<u>DESCRIPTION</u>
1	2	87015	710/45R22.5 FLOTATION TIRE RH
2	2	87014	710/45R22.5 FLOTATION TIRE LH

CHANGE NOTES

1. Added Figure 9

H&S MFG. CO.

products approved

for the

FEMA

SEAL OF QUALITY

