



4114
HI-CAPACITY RAKE
PARTS BOOK

Part #73133

HSMFG080321

Rev. #08

Starting Ser. #121HC14018

STRONG HERITAGE - STRONG PEOPLE - STRONGER FUTURE

CONTENTS

| | |
|--|-------|
| Instructions For Ordering Parts – About Improvements | 1 |
| Figure 1 - Front Pole Assembly | 2-3 |
| Figure 2 – Frame & Components | 4-5 |
| Figure 3 – Back Linkage Assembly | 6-7 |
| Figure 4 – Rear Pivot & Components | 8-9 |
| Figure 5 – Rear Hub Assembly | 10-11 |
| Figure 6 – Linkage Assembly | 12-13 |
| Figure 7 – RH Rake Beam Assembly | 14-15 |
| Figure 8 – LH Rake Beam Assembly | 16-17 |
| Figure 9 – Rake Wheel Assembly | 18-19 |
| Figure 10 – Hub & Brake Assembly | 20-21 |
| Figure 11 – Hydraulics | 22-23 |
| Figure 12 – Hydraulic Lift Cylinder | 24-25 |
| Figure 13 – Hydraulic Opening Cylinder | 26-27 |
| Figure 14 – Optional 15” Gauge Wheel | 28-29 |
| Figure 15 – Optional 2 Wheel Extension | 30-31 |
| Figure 16 – Optional 2 Wheel Center Kicker Wheel | 32-33 |
| Figure 17 – Optional Wind Guard. | 34-35 |
| Figure 18 – Optional Rake Lights | 36-37 |
| Figure 19 – Optional Tire & Wheel | 38-39 |
| Parts Notes - | 40 |

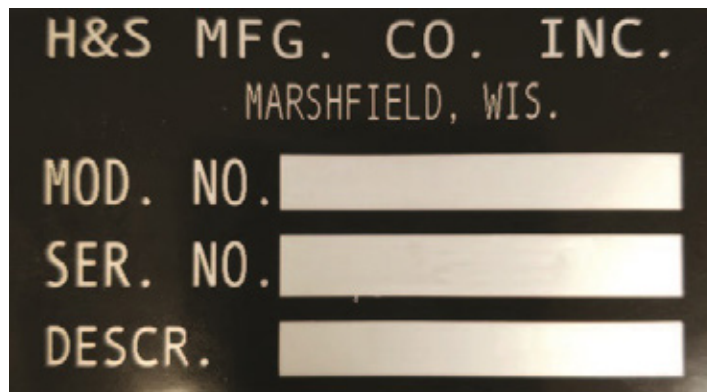
INSTRUCTIONS FOR ORDERING PARTS

All service parts should be ordered through your authorized H&S dealer. He will be able to give you faster service if you will provide them with the following:

1. Model & Serial Number - Both can be located on the left, rear main frame of your unit.
2. All references to left or right apply to the machine as viewed from the rear.
3. Parts should not be ordered from illustration only. Please order complete part number.
4. If your dealer has to order parts - give shipping instructions:

VIA truck - large pieces (please specify local truck lines)

VIA United Parcel Service (include full address)



H&S MFG. CO. INC.
MARSHFIELD, WIS.

MOD. NO.

SER. NO.

DESCR.

PLEASE RECORD NUMBERS FOR YOUR UNIT FOR QUICK REFERENCE

ABOUT IMPROVEMENTS

H&S IS CONTINUALLY STRIVING TO IMPROVE IT'S PRODUCTS

We must therefore, reserve the right to make improvements or changes whenever it becomes practical to do so, without incurring any obligation to make changes or additions to the equipment previously sold.

FIGURE 1 **FRONT POLE ASSEMBLY**

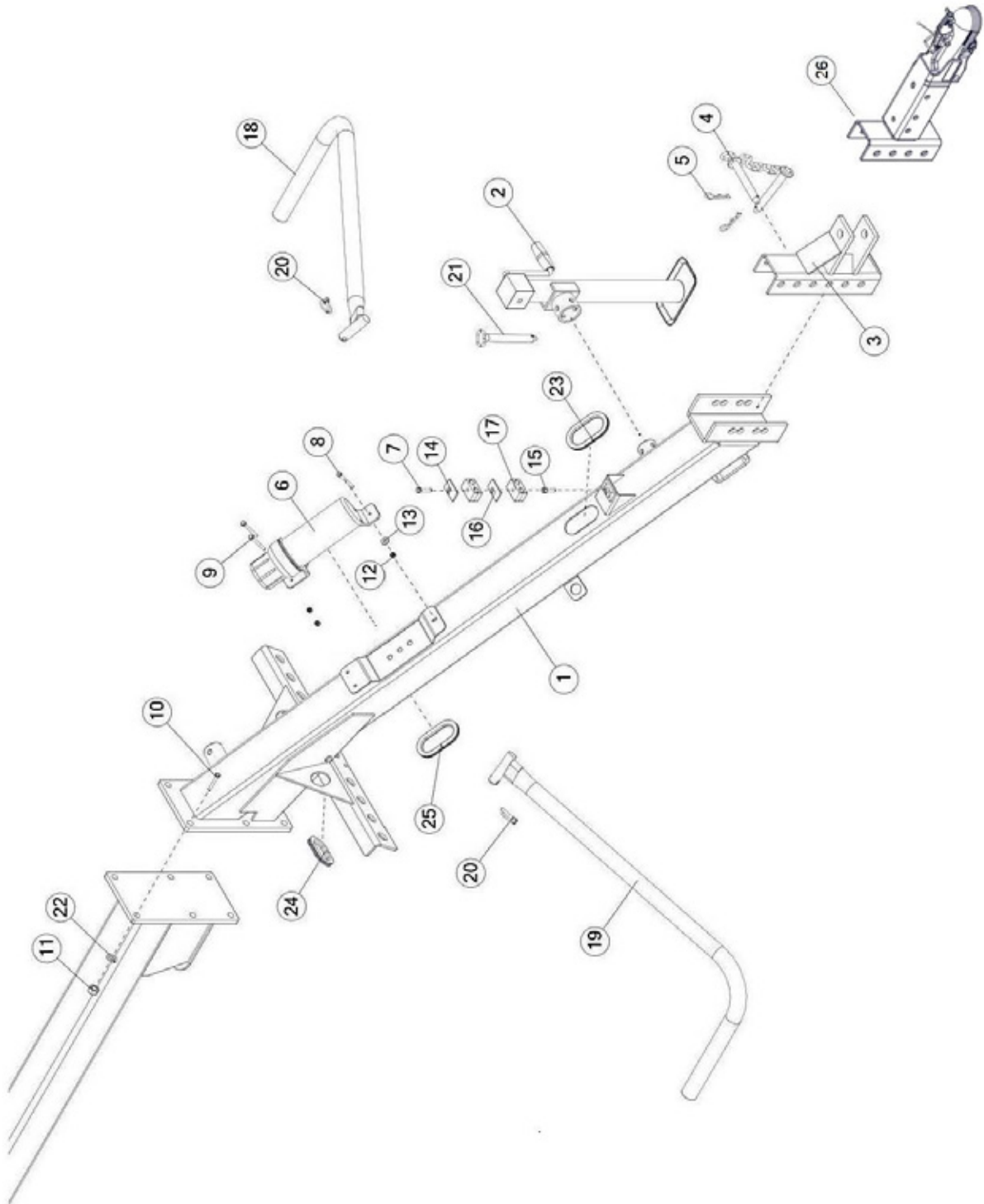


FIGURE 1

FRONT POLE ASSEMBLY

| <u>ITEM</u> | <u>QTY</u> | <u>PART#</u> | <u>DESCRIPTION</u> |
|-------------|------------|--------------|--------------------------------|
| 1 | 1 | 67220 | POLE FRONT |
| 2 | 2 | BFR753A | SIDEWIND JACK |
| 3 | 1 | BFR157 | HITCH |
| 4 | 1 | 87599 | HITCH PIN |
| 5 | 2 | YPHR02010 | HAIR PIN |
| 6 | 1 | S522 | MANUAL HOLDER |
| 7 | 1 | 56568 | CLAMP BOLT |
| 8 | 1 | YBHH08010 | BOLT HEX, 1/4 X 1 G5 |
| 9 | 2 | YBHH08100 | BOLT HEX, 1/4 X 3/4 G5 |
| 10 | 6 | YBHH20025 | BOLT HEX, 5/8 X 2 G5 |
| 11 | 6 | YNHX20010 | NUT HEX, 5/8-18 G8 |
| 12 | 3 | YNNY08005 | NUT HEX, NYLON LOCKNUT, 1/4-20 |
| 13 | 3 | YWFL08005 | WASHER FLAT, 1/4 |
| 14 | 1 | 56563 | CLAMP TOP PLATE |
| 15 | 1 | 56573 | CLAMP STACKING BOLT |
| 16 | 1 | 56581 | CLAMP TOP PLATE |
| 17 | 2 | 67354 | HOSE CLAMP, DOUBLE, 1/4 |
| 18 | 1 | BFR452 | TRANSPORT LOCK PIPE LH |
| 19 | 1 | BFR492 | TRANSPORT LOCK PIPE RH |
| 20 | 2 | YPLY08011 | LYNCH PIN, 1/4 X 1-9/16 |
| 21 | 1 | 12N117 | JACK PIN |
| 22 | 6 | YWLO20005 | WASHER LOCK, 5/8 |
| 23 | 1 | 67443 | PLASTIC TRIM |
| 24 | 1 | 67448 | PLASTIC TRIM |
| 25 | 1 | 67442 | PLASTIC TRIM |
| 26 | 1 | 76461 | BALL HITCH, 2-5/16 |
| * | 1 | 78464 | HITCH EXTENSION |

***MEANS NOT SHOWN**

FIGURE 2 FRAME & COMPONENTS

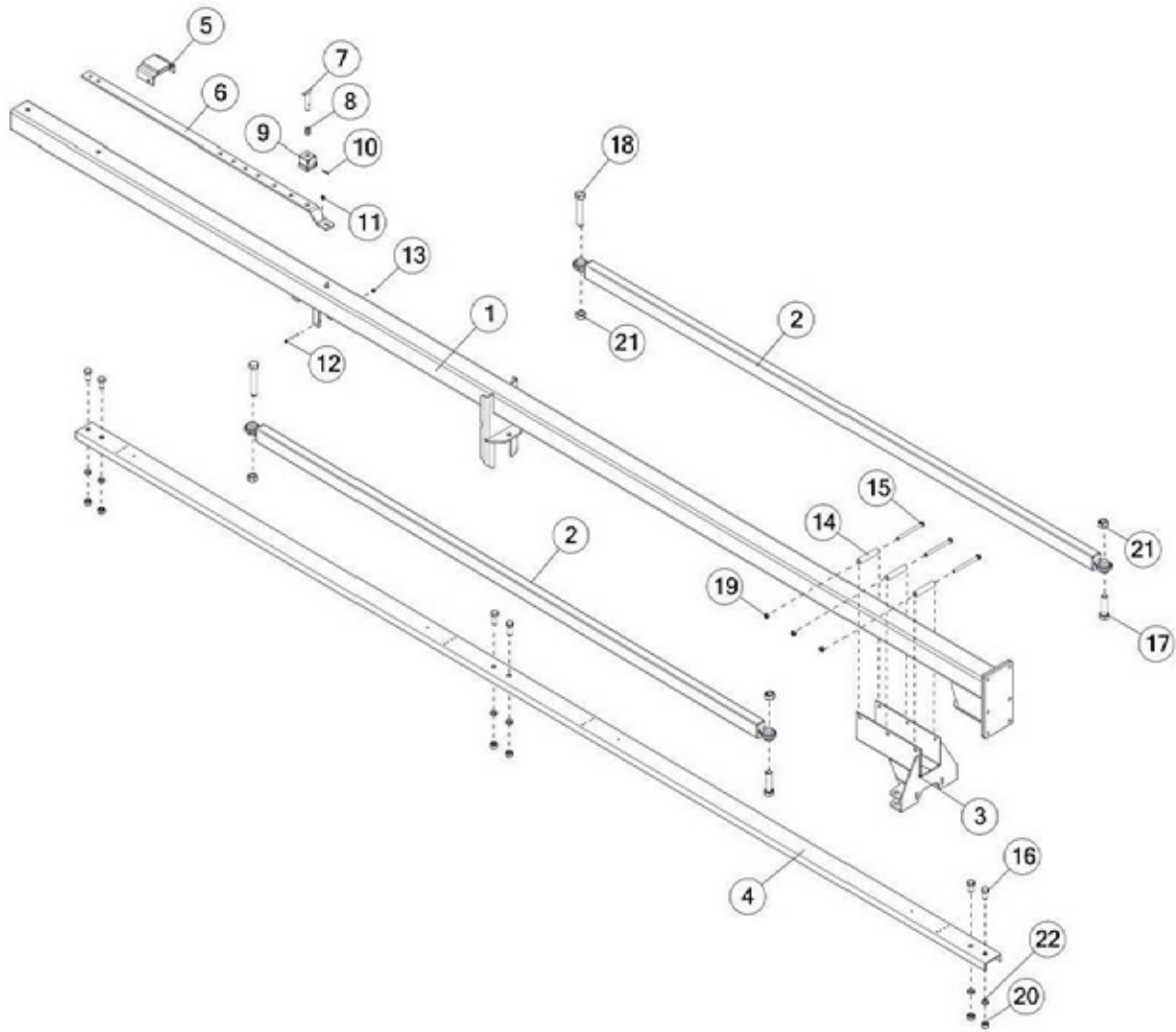


FIGURE 2

FRAME & COMPONENTS

| <u>ITEM</u> | <u>QTY</u> | <u>PART#</u> | <u>DESCRIPTION</u> |
|-------------|------------|--------------|--------------------------|
| 1 | 1 | 67236 | CENTER POLE |
| 2 | 2 | BFR458 | LINKAGE, FRONT |
| 3 | 1 | 73141 | SLIDER, FRONT |
| 4 | 1 | 70181 | CHANNEL |
| 5 | 1 | 67368 | ADJUSTMENT STOP |
| 6 | 1 | 67416 | ADJUSTMENT BRACKET |
| 7 | 1 | BFR241 | ADJUSTMENT HANDLE |
| 8 | 1 | BFR240 | SPRING |
| 9 | 1 | BFR239 | SLEEVE LOCK ADJUSTMENT |
| 10 | 1 | YPCT05005 | COTTER PIN, 5/32 X 1 |
| 11 | 1 | YBFB10002 | BOLT FLG, 5/16 X 1/2 G5 |
| 12 | 1 | YBHH08114 | BOLT HEX, 1/4 X 4 G5 |
| 13 | 1 | YNL08005 | NUT HEX, TOP LOCK, 1/4 |
| 14 | 3 | BFR457 | SLIDER SPACER |
| 15 | 3 | YBHH16165 | BOLT HEX, 1/2 X 6 G5 |
| 16 | 6 | YBHH24012 | BOLT HEX, 3/4 X 1-1/2 G8 |
| 17 | 2 | YBHH32015 | BOLT HEX, 1-8 X 4 G5 |
| 18 | 2 | YBHH32025 | BOLT HEX, 1-8 X 6 G5 |
| 19 | 3 | YNL16005 | NUT HEX, TOP LOCK, 1/2 |
| 20 | 6 | YNHX24004 | NUT HEX, 3/4 G5 |
| 21 | 4 | YNL32005 | NUT HEX, TOP LOCK, 1 |
| 22 | 6 | YWLO24005 | WASHER LOCK, 3/4 |

FIGURE 3
BACK LINKAGE ASSEMBLY

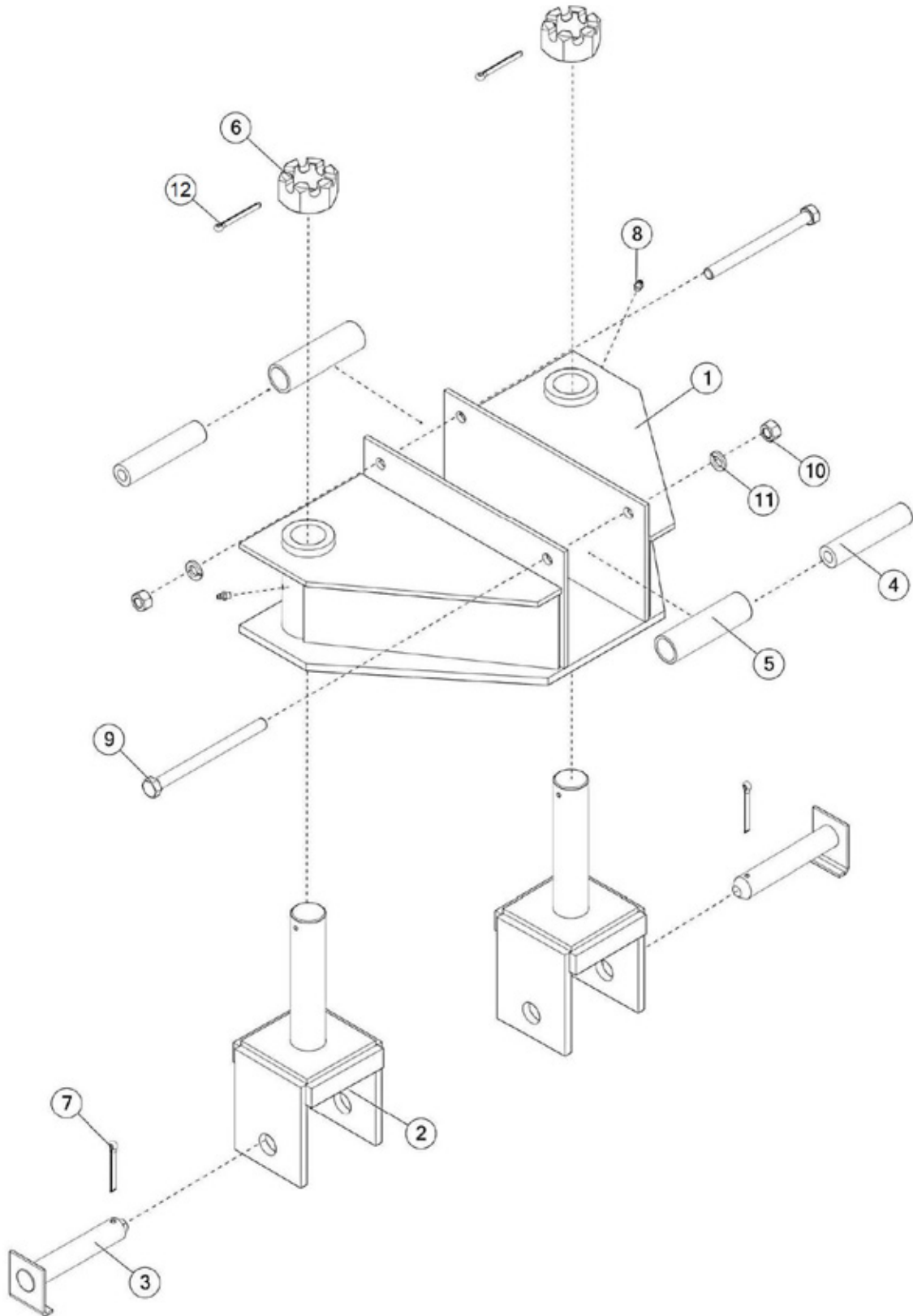


FIGURE 3
BACK LINKAGE ASSEMBLY

| <u>ITEM</u> | <u>QTY</u> | <u>PART#</u> | <u>DESCRIPTION</u> |
|--------------------|-------------------|---------------------|---------------------------|
| 1 | 1 | BFR491 | LINKAGE SLIDER REAR |
| 2 | 2 | BFR476 | LINKAGE YOKE REAR |
| 3 | 2 | BFR479 | PIVOT YOKE SHAFT PIN |
| 4 | 2 | BFR457 | SLIDER SPACER |
| 5 | 2 | BFR471 | SLIDER ROLLER REAR |
| 6 | 2 | YNSL40005 | NUT HEX, SLOTTED, 1-1/2 |
| 7 | 2 | YPCT07005 | COTTER PIN, 7/32 X 2 |
| 8 | 2 | G89 | STRAIGHT ZERK, 1/4-28 |
| 9 | 2 | YBHH16175 | BOLT HEX, 1/2 X 6-1/2 G5 |
| 10 | 2 | YNHX16005 | NUT HEX, 1/2 |
| 11 | 2 | YWLO16005 | WASHER LOCK, 1/2 |
| 12 | 2 | YPCT06020 | COTTER PIN, 3/16 X 2 |

FIGURE 4 **REAR PIVOT & COMPONENTS**

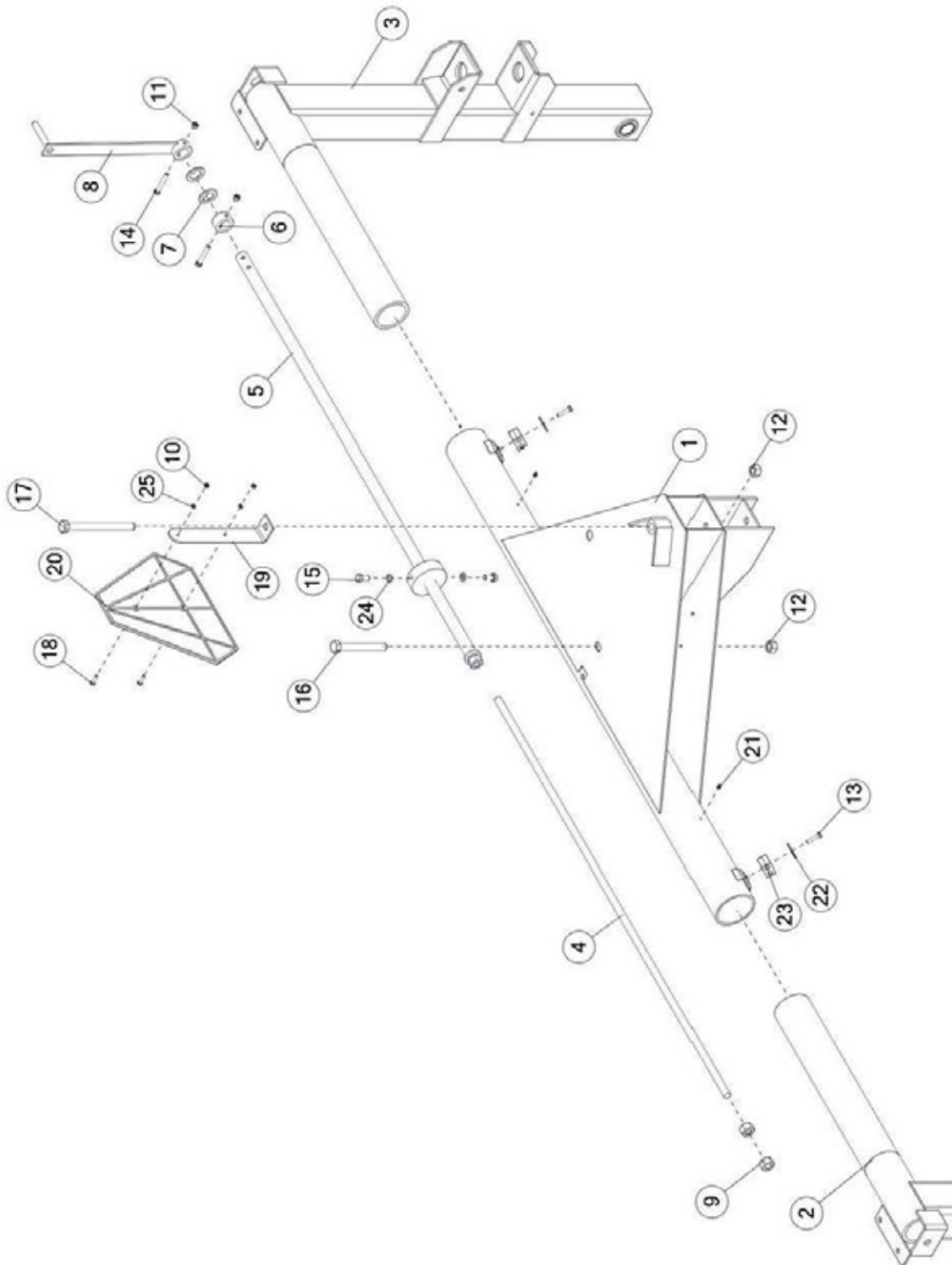


FIGURE 4

REAR PIVOT & COMPONENTS

| <u>ITEM</u> | <u>QTY</u> | <u>PART#</u> | <u>DESCRIPTION</u> |
|-------------|------------|--------------|--------------------------------------|
| 1 | 1 | 67320 | PIVOT REAR |
| 2 | 1 | 66841 | UPRIGHT RH |
| 3 | 1 | 66837 | UPRIGHT LH |
| 4 | 1 | 66845 | WIDTH ADJUSTMENT ROD REAR |
| 5 | 1 | 66839 | WIDTH ADJUSTMENT TUBE REAR |
| 6 | 1 | BFR422 | WIDTH ADJUSTMENT COLLAR |
| 7 | 2 | BFR523 | POLY WASHER |
| 8 | 1 | BFR423 | WIDTH ADJUSTMENT HANDLE |
| 9 | 2 | YNAC24005 | NUT HEX, 3/4 |
| 10 | 2 | YNHX08005 | NUT HEX, 1/4 |
| 11 | 2 | YNHX12005 | NUT HEX, 3/8 G2 |
| 12 | 2 | YNTL24005 | NUT HEX TOP LOCK, 3/4 |
| 13 | 2 | 56568 | CLAMP BOLT |
| 14 | 2 | YBHH12090 | BOLT HEX, 3/8 X 2-1/2 G5 |
| 15 | 2 | YBHH16010 | BOLT HEX, 1/2 X 1 G5 |
| 16 | 1 | YBHH24090 | BOLT HEX, 3/4 X 6 G5 |
| 17 | 1 | YBHH24115 | BOLT HEX, 3/4 X 8-1/2 G5 |
| 18 | 2 | YSTM08005 | SCREW TRUSS HEAD MACH, 1/4-20 X 1 G5 |
| 19 | 1 | BFR649 | SMV BRACKET |
| 20 | 1 | BFR723 | SMV SIGN |
| 21 | 2 | G89 | STRAIGHT ZERK 1/4-28 X 90 |
| 22 | 2 | 56563 | CLAMP TOP PLATE |
| 23 | 2 | 67354 | HOSE CLAMP DOUBLE, 1/4 |
| 24 | 2 | YWLO16005 | WASHER LOCK, 1/2 |
| 25 | 2 | YWLO08005 | WASHER LOCK, 1/4 |

FIGURE 5 **REAR HUB ASSEMBLY**

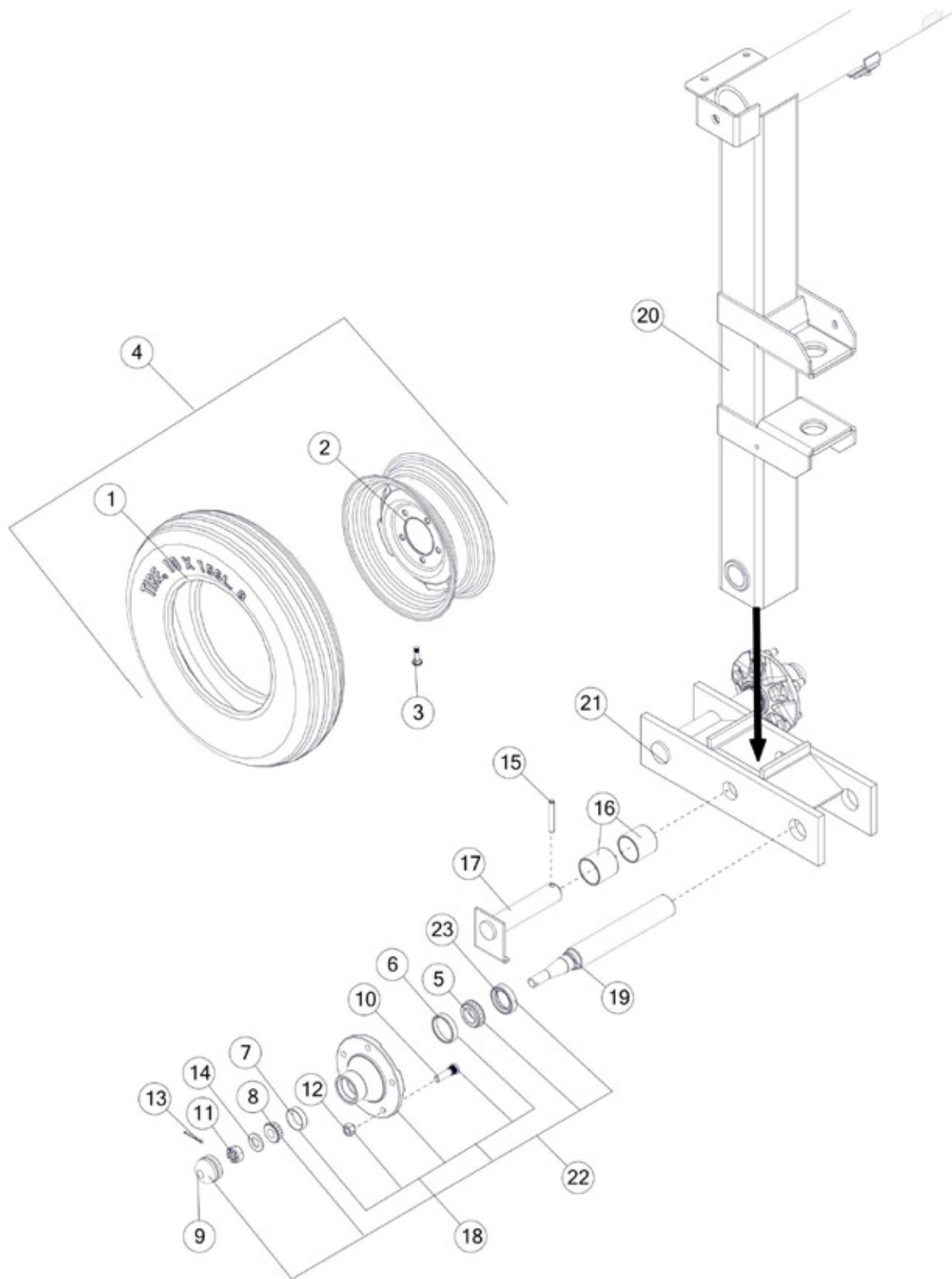


FIGURE 5 REAR HUB ASSEMBLY

| <u>ITEM</u> | <u>QTY</u> | <u>PART#</u> | <u>DESCRIPTION</u> |
|-------------|------------|--------------|---------------------------------------|
| 1 | 4 | BFR128 | TIRE 670 X 15 |
| * | 4 | 75696 | ST205/75R15-C RADIAL TIRE (OPTIONAL) |
| 2 | 4 | BFR67 | WHEEL, 5 X 15 |
| 3 | 4 | 72436 | VALVE STEM, 1-1/2 |
| 4 | 4 | 32006 | TIRE ON 5 X 15 WHEEL |
| * | 4 | 75697 | 205/75R15 TIRE ON AG WHEEL (OPTIONAL) |
| 5 | 4 | 17G145 | TAPERED ROLLER BEARING |
| 6 | 4 | BFR59 | RACE |
| 7 | 4 | BFR61 | CUP |
| 8 | 4 | BFR62 | CONE BEARING |
| 9 | 4 | BFR66 | HUB CAP |
| 10 | 20 | YBSD16005 | BOLT STUD, 1/2 X 1-7/8 X 3/8 G5 |
| 11 | 4 | YNSL24010 | NUT SLOT, 3/4 |
| 12 | 20 | YNWL16005 | NUT WHEEL, 1/2-20 G5 |
| 13 | 4 | YPCT05010 | COTTER PIN, 5/32 X 1-1/2 |
| 14 | 4 | YWFL24010 | WASHER FLAT, 3/4 |
| 15 | 4 | YPEX12025 | EXPANSION PIN, 3/8 X 2-3/4 |
| 16 | 4 | BFR625 | BRONZE BUSHING |
| 17 | 2 | BFR524 | TANDEM PIN |
| 18 | 4 | BFR60 | HUB W/RACES AND STUDS |
| 19 | 4 | BFR522 | SPINDLE |
| 20 | 1 | 66841 | UPRIGHT RH |
| * | 1 | 66837 | UPRIGHT LH |
| 21 | 1 | BFR509 | TANDEM AXLE RH |
| * | 1 | BFR510 | TANDEM AXLE LH |
| 22 | 4 | BFR75 | HUB WITH KOYO BEARINGS |
| 23 | 4 | BFR57 | SEAL |

***MEANS NOT SHOWN**

FIGURE 6 **LINKAGE ASSEMBLY**

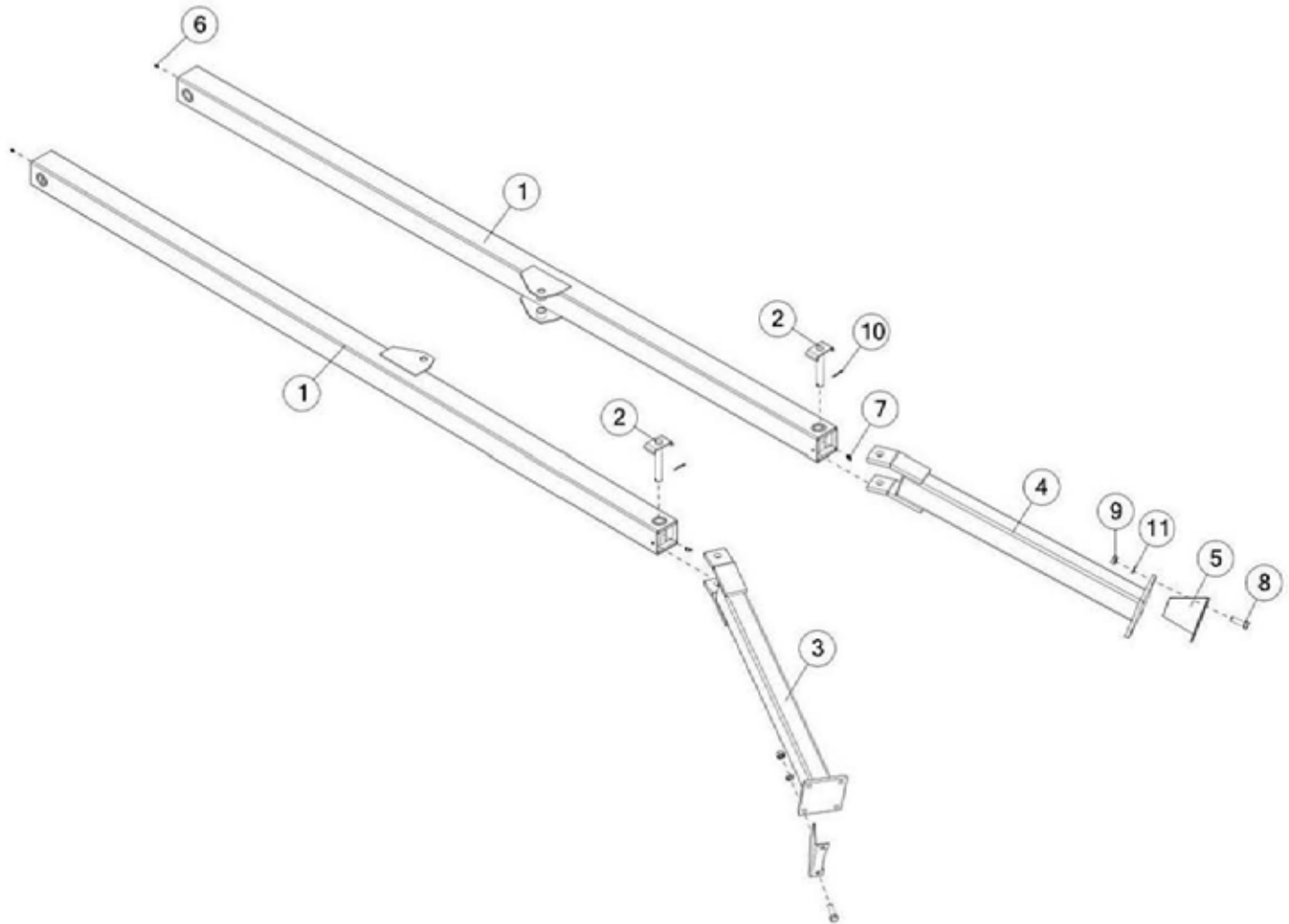


FIGURE 6 LINKAGE ASSEMBLY

| <u>ITEM</u> | <u>QTY</u> | <u>PART#</u> | <u>DESCRIPTION</u> |
|-------------|------------|--------------|-----------------------------|
| 1 | 2 | BFR462 | LINKAGE REAR RH |
| 2 | 2 | BFR461 | RAKE BEAM PIN |
| 3 | 1 | BFR744 | RAKE BEAM ARM, RH |
| 4 | 1 | BFR745 | RAKE BEAM ARM, LH |
| 5 | 2 | BFR549 | TOOTH DEFLECTOR |
| 6 | 2 | G89 | STRAIGHT ZERK , 1/4-28 X 90 |
| 7 | 2 | RG21 | GREASE ZERK, 45 DEGREE |
| 8 | 8 | YBHH20025 | BOLT HEX, 5/8 X 2 G5 |
| 9 | 8 | YNHX20010 | NUT HEX, 5/8-18 G8 |
| 10 | 2 | YPCT05010 | COTTER PIN, 5/32 X 1-1/2 |
| 11 | 8 | YWLO20005 | WASHER LOCK, 5/8 |

FIGURE 7 RH RAKE BEAM ASSEMBLY

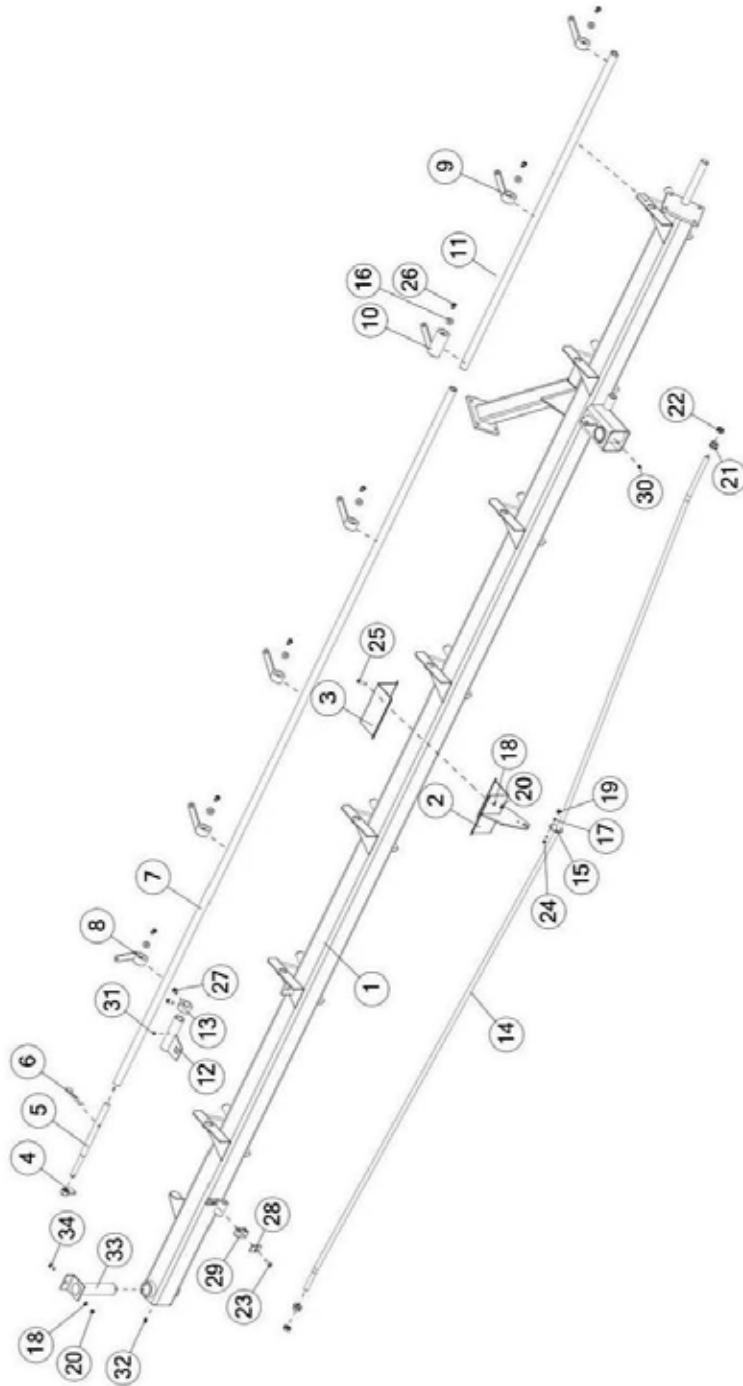


FIGURE 7

RH RAKE BEAM ASSEMBLY

| <u>ITEM</u> | <u>QTY</u> | <u>PART#</u> | <u>DESCRIPTION</u> |
|-------------|------------|--------------|-----------------------------|
| 1 | 1 | 67336 | BEAM W/DECAL RH |
| 2 | 1 | 14DWE85 | ROD STANDOFF |
| 3 | 1 | 14D3G18 | ROD STAND-OFF BRACKET |
| 4 | 1 | BFR426 | PRESSURE HANDLE |
| 5 | 1 | BFR486 | LOCK-UP SHAFT |
| 6 | 1 | YPHR08040 | HAIR PIN, 1/4 X 5 |
| 7 | 1 | BFR521 | LIFTING PIPE BACK |
| 8 | 1 | BFR431 | SPRING BRACKET LH |
| 9 | 4 | BFR430 | SPRING BRACKET RH |
| 10 | 1 | BFR749 | LONG LIFT PIPE CONNECTOR RH |
| 11 | 1 | BFR520 | LIFT PIPE FRONT |
| 12 | 1 | BFR531 | HYD CYLINDER END SLIDE RH |
| 13 | 1 | BFR83 | PIPE CLAMP |
| 14 | 1 | BFR612 | SIDE ARM STABILIZER ROD |
| 15 | 1 | DF22 | RING FOR STRAP |
| 16 | 7 | YWFL14005 | WASHER FLAT, 7/16 |
| 17 | 2 | YWLO08005 | WASHER LOCK, 1/4 |
| 18 | 7 | YWLO12005 | WASHER LOCK, 3/8 |
| 19 | 1 | YNHX08005 | NUT HEX, 1/4 |
| 20 | 7 | YNHX12005 | NUT HEX, 3/8 G2 |
| 21 | 2 | BFR618 | NUT FLANGE,, 3/4 |
| 22 | 2 | YNJM24012 | NUT JAM, 3/4 A |
| 23 | 1 | 56568 | CLAMP BOLT |
| 24 | 1 | YBHH08010 | BOLT HEX, 1/4 X 1 G5 |
| 25 | 6 | YBHH12035 | BOLT HEX, 3/8 X 1-1/4 G5 |
| 26 | 7 | YBHH14005 | BOLT HEX, 7/16 X 1 G5 |
| 27 | 2 | YBHH14035 | BOLT HEX, 7/16 X 3/4 G5 |
| 28 | 1 | 56563 | CLAMP TOP PLATE |
| 29 | 1 | 67354 | HOSE CLAMP DOUBLE, 1/4 |
| 30 | 1 | G89 | STRAIGHT ZERK 1/4-28 X 90 |
| 31 | 1 | MS26 | SHORT SHANK ZERK |
| 32 | 1 | RG21 | GREASE ZERK, 45 DEGREE |
| 33 | 1 | BFR756 | BEAM PIVOT SHAFT |
| 34 | 1 | YBHH12010 | BOLT HEX, 3/8 X 1 G5 |

FIGURE 8
LH RAKE BEAM ASSEMBLY

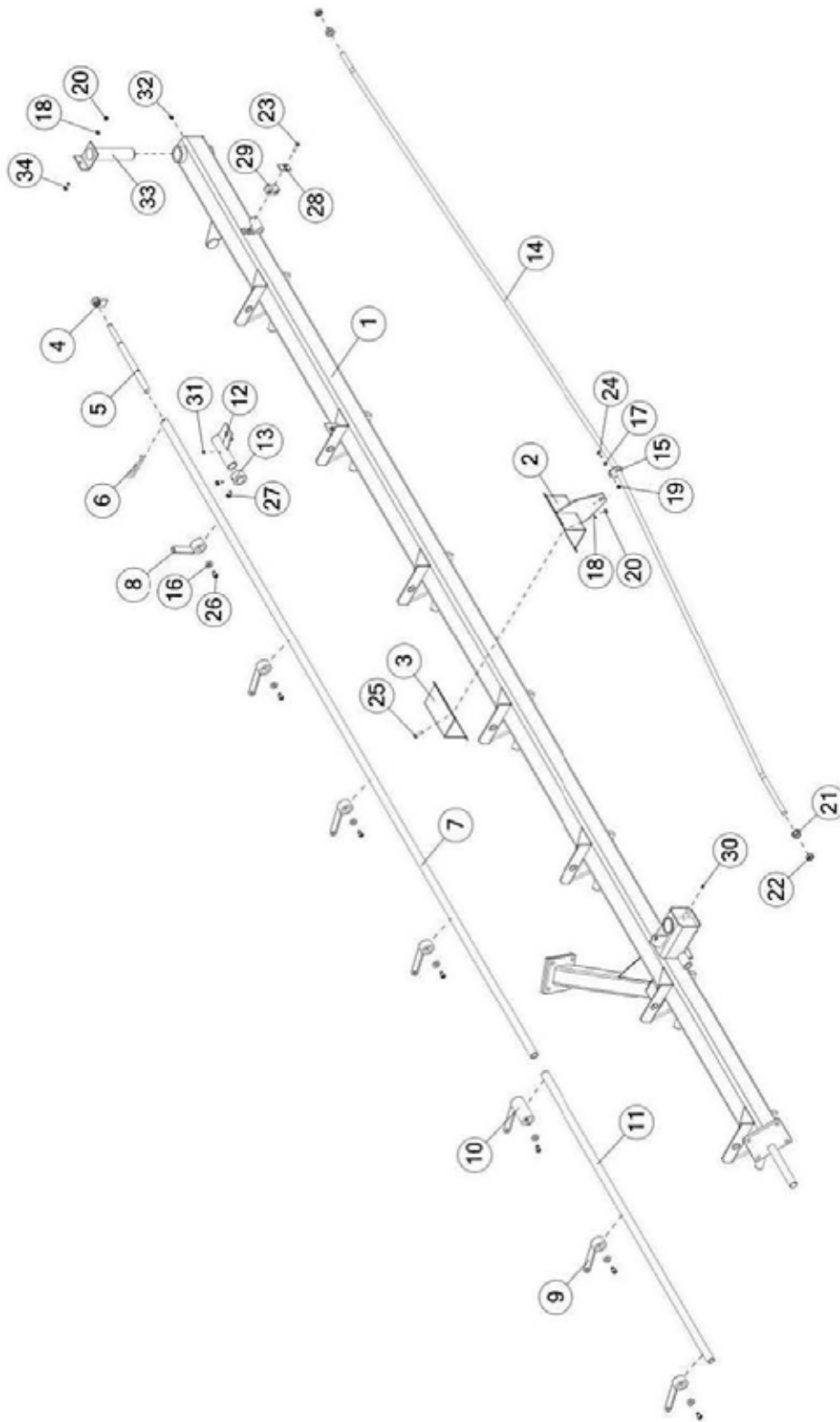


FIGURE 8

LH RAKE BEAM ASSEMBLY

| <u>ITEM</u> | <u>QTY</u> | <u>PART#</u> | <u>DESCRIPTION</u> |
|-------------|------------|--------------|-----------------------------|
| 1 | 1 | 67322 | BEAM W/DECALS LH |
| 2 | 1 | 14DWE85 | ROD STANDOFF |
| 3 | 1 | 14D3G18 | ROD STAND-OFF BRACKET |
| 4 | 1 | BFR426 | PRESSURE HANDLE |
| 5 | 1 | BFR486 | LOCK-UP SHAFT |
| 6 | 1 | YPHR08040 | HAIR PIN, 1/4 X 5 |
| 7 | 1 | BFR521 | LIFTING PIPE BACK |
| 8 | 1 | BFR430 | SPRING BRACKET RH |
| 9 | 4 | BFR431 | SPRING BRACKET LH |
| 10 | 1 | BFR750 | LONG LIFT PIPE CONNECTOR LH |
| 11 | 1 | BFR520 | LIFT PIPE FRONT |
| 12 | 1 | BFR530 | HYD CYLINDER END SLIDE LH |
| 13 | 1 | BFR83 | PIPE CLAMP |
| 14 | 1 | BFR612 | SIDE ARM STABILIZER ROD |
| 15 | 1 | DF22 | RING FOR STRAP |
| 16 | 7 | YWFL14005 | WASHER FLAT, 7/16 |
| 17 | 2 | YWLO08005 | WASHER LOCK, 1/4 |
| 18 | 7 | YWLO12005 | WASHER LOCK, 3/8 |
| 19 | 1 | YNHX08005 | NUT HEX, 1/4 |
| 20 | 7 | YNHX12005 | NUT HEX, 3/8-16 G2 |
| 21 | 2 | BFR618 | NUT FLANGE, 3/4 |
| 22 | 2 | YNJM24012 | NUT JAM, 3/4 A |
| 23 | 1 | 56568 | CLAMP BOLT |
| 24 | 1 | YBHH08010 | BOLT HEX, 1/4 X 1 G5 |
| 25 | 6 | YBHH12035 | BOLT HEX, 3/8-16 X 1-1/4 G5 |
| 26 | 7 | YBHH14005 | BOLT HEX, 7/16 X 1 G5 |
| 27 | 2 | YBHH14035 | BOLT HEX, 7/16 X 3/4 G5 |
| 28 | 1 | 56563 | CLAMP TOP PLATE |
| 29 | 1 | 67354 | HOSE CLAMP, DOUBLE, 1/4 |
| 30 | 1 | G89 | STRAIGHT ZERK 1/4-28 X 90 |
| 31 | 1 | MS26 | SHORT SHANK ZERK |
| 32 | 1 | RG21 | GREASE ZERK, 45 DEGREE |
| 33 | 1 | BFR756 | BEAM PIVOT SHAFT |
| 34 | 1 | YBHH12010 | BOLT HEX, 3/8 X 1 G5 |

FIGURE 9 RAKE WHEEL ASSEMBLY

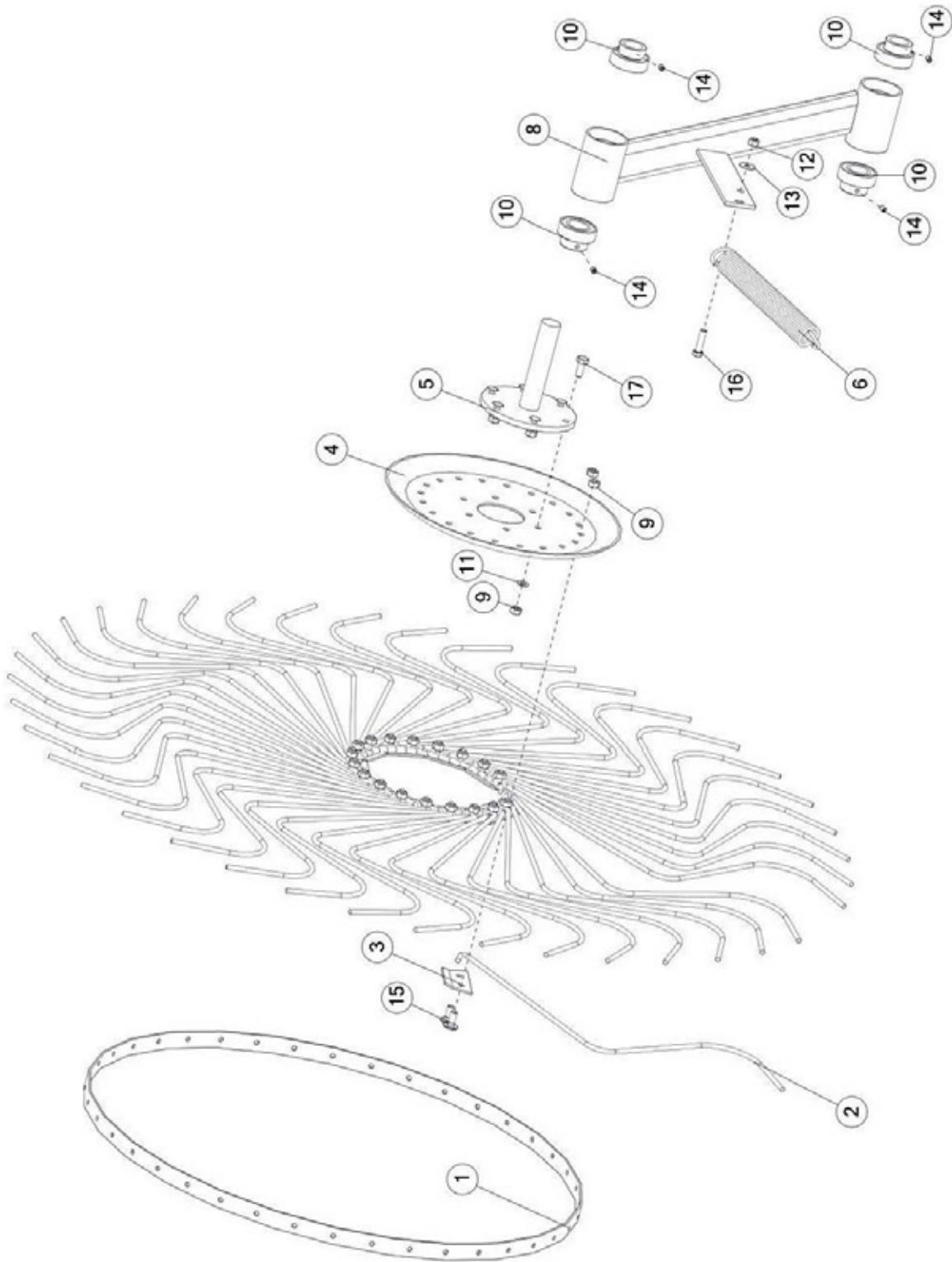


FIGURE 9

RAKE WHEEL ASSEMBLY

| <u>ITEM</u> | <u>QTY</u> | <u>PART#</u> | <u>DESCRIPTION</u> |
|-------------|------------|--------------|-------------------------------|
| 1 | 1 | T177 | RAKE WHEEL OUTER RING |
| 2 | 40 | T176 | RAKE WHEEL TOOTH |
| 3 | 10 | T178 | RAKE TOOTH CLIP |
| 4 | 1 | T179 | RAKE WHEEL CENTER |
| 5 | 1 | BFR657 | RAKE WHEEL HUB |
| 6 | 1 | BFR138 | SPRING |
| 7 | 1 | BFR140 | RAKE ARM ADJUSTMENT CHAIN |
| 8 | 1 | BFR489 | RAKE ARM LH |
| * | 1 | BFR490 | RAKE ARM RH |
| 9 | 26 | YNHX76015 | NUT HEX, M10-1.5 |
| 10 | 4 | BFR525 | BEARING W/LOCK COLLAR |
| 11 | 2 | YWLO12005 | WASHER LOCK, 3/8 |
| 12 | 1 | YNL12005 | NUT HEX, TOP LOCK, 3/8 |
| 13 | 1 | YWFL12005 | WASHER FLAT, 3/8 |
| 14 | 5 | YSKP10020 | SET SCREW, SOCKET, 5/16 X 3/8 |
| 15 | 20 | YBCR76005 | BOLT CARRIAGE, 10MM X 25MM |
| 16 | 1 | YBHH12025 | BOLT HEX, 3/8 X 1-1/2 G5 |
| 17 | 6 | YBHH12035 | BOLT HEX, 3/8 X 1-1/4 G5 |
| 18 | 6 | YNHX12005 | NUT HEX, 3/8 G5 |

***MEANS NOT SHOWN**

FIGURE 10 **HUB & BRAKE ASSEMBLY**

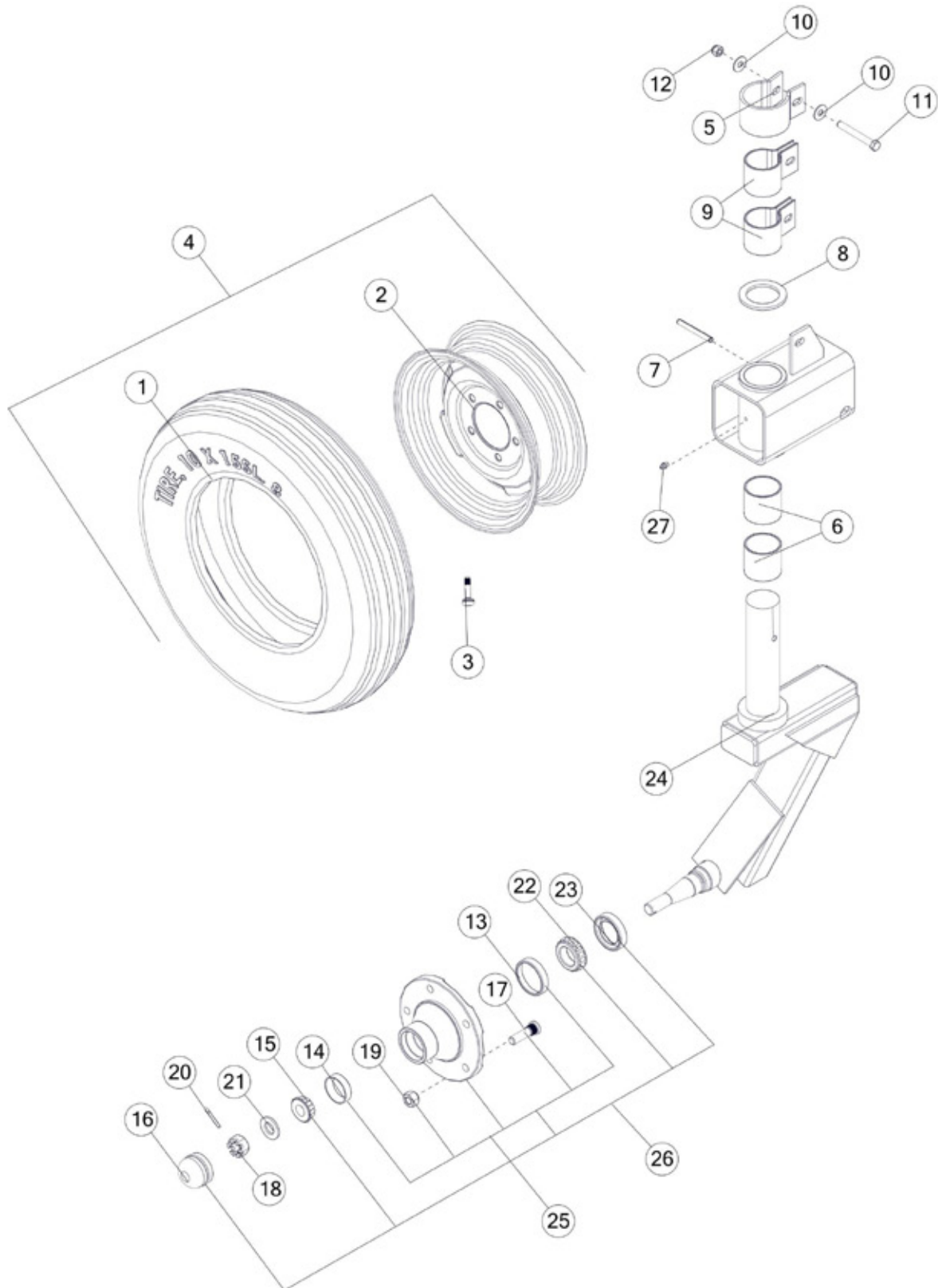


FIGURE 10

HUB & BRAKE ASSEMBLY

| <u>ITEM</u> | <u>QTY</u> | <u>PART#</u> | <u>DESCRIPTION</u> |
|-------------|------------|--------------|---------------------------------|
| 1 | 2 | BFR128 | TIRE 670 X 15 |
| 2 | 2 | BFR67 | WHEEL, 5 X 15 |
| 3 | 2 | 72436 | VALVE STEM, 1-1/2 |
| 4 | 2 | 32006 | TIRE ON 5 X 15 WHEEL |
| 5 | 2 | BFR311 | BRAKE COLLAR |
| 6 | 4 | RG26 | STEEL BUSHING |
| 7 | 2 | YPEX10025 | EXPANSION PIN, 5/16 X 2-3/4 |
| 8 | 1 | BFR309 | GAUGE WHEEL WASHER |
| 9 | 4 | BFR310 | BRAKE PAD |
| 10 | 4 | YWFL12005 | WASHER FLAT, 3/8 |
| 11 | 2 | YBHH12125 | BOLT HEX, 3/8 X 3 G5 |
| 12 | 2 | YNNY12005 | NUT HEX, 3/8 |
| 13 | 2 | BFR57 | SEAL |
| 14 | 2 | BFR61 | CUP |
| 15 | 2 | BFR62 | CONE BEARING |
| 16 | 2 | BFR66 | HUB CAP |
| 17 | 10 | YBSD16005 | BOLT STUD, 1/2 X 1-7/8 X 3/8 G5 |
| 18 | 2 | YNSL24010 | NUT SLOT, 3/4-16 G2 |
| 19 | 10 | YNWL16005 | NUT WHEEL, 1/2-20 G5 |
| 20 | 2 | YPCT05010 | COTTER PIN, 5/32 X 1-1/2 |
| 21 | 2 | YWFL24010 | WASHER FLAT, 3/4 |
| 22 | 2 | 17G145 | TAPERED ROLLER BEARING |
| 23 | 2 | BFR57 | SEAL |
| 24 | 1 | BFR312 | GAUGE WHEEL FORK RH |
| * | 1 | BFR316 | GAUGE WHEEL FORK LH |
| 25 | 2 | BFR60 | HUB W/RACES AND STUDS |
| 26 | 2 | BFR75 | HUB WITH KOYO BEARINGS |
| 27 | 2 | G89 | STRAIGHT ZERK 1/4-28 X 90 |

***MEANS NOT SHOWN**

FIGURE 11
HYDRAULICS

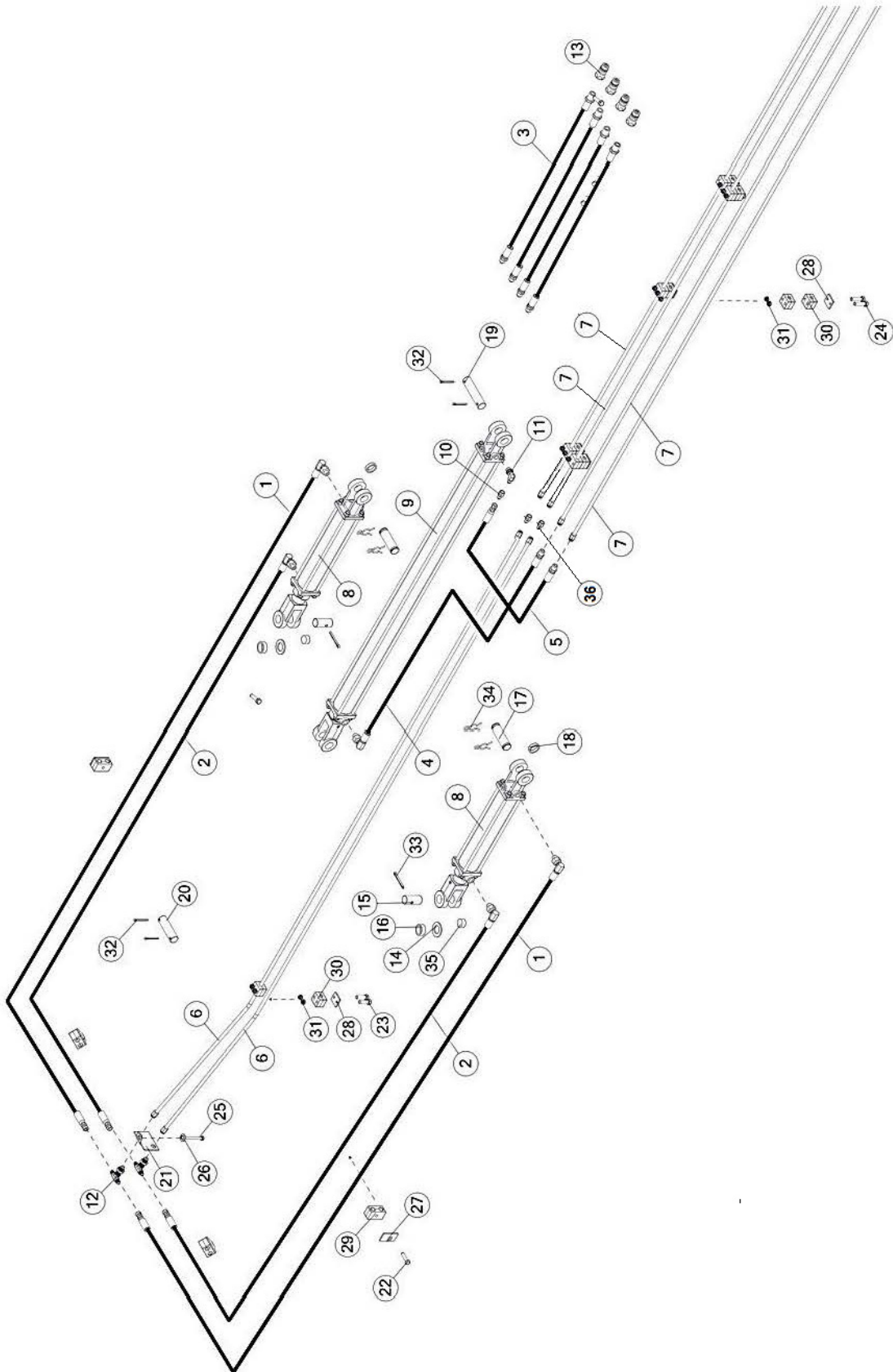


FIGURE 11

HYDRAULICS

| <u>ITEM</u> | <u>QTY</u> | <u>PART#</u> | <u>DESCRIPTION</u> |
|-------------|------------|--------------|------------------------------------|
| 1 | 2 | 67077 | HYD HOSE 4 X 108, 6ORB, 4JIC |
| 2 | 2 | 67420 | HYD HOSE 4 X 120, 6ORB, 4JIC |
| 3 | 4 | 70700 | HYD HOSE 4 X 136, 4JIC, 8ORB |
| 4 | 1 | 70706 | HYD HOSE 4 X 33, 4JIC, 6ORB |
| 5 | 1 | 70710 | HYD HOSE 4 X 30, 4JIC, 4JIC SWIVEL |
| 6 | 2 | 88955 | HYD TUBE |
| 7 | 4 | 70613 | HYD TUBE |
| 8 | 2 | 66933 | HYD CYLINDER 2 X 10 |
| 9 | 1 | 66935 | HYD CYLINDER 2 X 40 |
| 10 | 1 | 58108 | CONNECTOR W/ORIFICE |
| 11 | 1 | 71281 | MALE FITTING |
| 12 | 2 | 71585 | BULKHEAD TEE FITTING |
| 13 | 4 | 67148 | QUICK COUPLER |
| 14 | 2 | 16SV136 | WASHER FLAT |
| 15 | 2 | BFR517 | CYLINDER PIN BACK |
| 16 | 2 | K106 | SPACER |
| 17 | 2 | T143 | HYD CYLINDER PIN |
| 18 | 2 | X94 | 1ST BEATER SPACER |
| 19 | 1 | BFR396 | CYLINDER PIN |
| 20 | 1 | BFR634 | CYLINDER PIN |
| 21 | 1 | 66939 | BRACKET, MOUNT, HYD BULKHEAD T |
| 22 | 4 | 56568 | CLAMP BOLT |
| 23 | 4 | YBHH08045 | BOLT HEX, 1/4 X 2 G5 |
| 24 | 12 | YBHH08085 | BOLT HEX, 1/4 X 3 G5 |
| 25 | 1 | YBHH16010 | BOLT HEX, 1/2 X 1 G5 |
| 26 | 1 | YWLO16005 | WASHER LOCK, 1/2 |
| 27 | 4 | 56563 | CLAMP TOP PLATE |
| 28 | 8 | CHM273 | CLAMP TOP PLATE |
| 29 | 4 | 67354 | HOSE CLAMP, DOUBLE, 1/4 |
| 30 | 8 | CHM280 | HOSE CLAMP, 3/8 |
| 31 | 14 | YNFG08010 | NUT HEX, FLANGE, NYLOCK, 1/4-20 |
| 32 | 4 | YPCT05010 | COTTER PIN 5/32 X 1-1/2 |
| 33 | 2 | YPCT07005 | COTTER PIN, 7/32 X 2 |
| 34 | 4 | YPHR02020 | HAIR PIN |
| 35 | 2 | BFR506 | NYLON WEAR BLOCK |
| 36 | 2 | CHM258 | FITTING, UNION |

FIGURE 12 HYDRAULIC LIFT CYLINDER

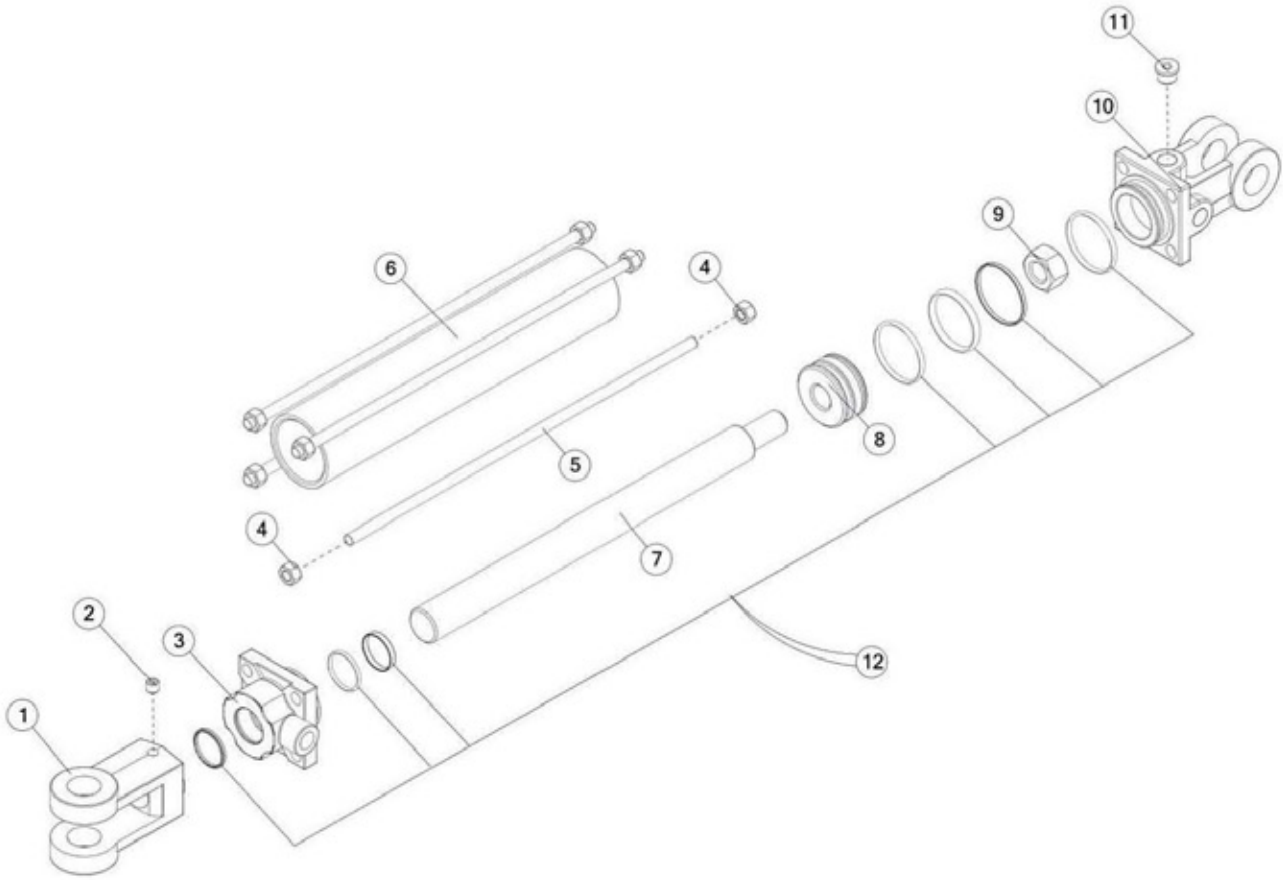


FIGURE 12 HYDRAULIC LIFT CYLINDER

| <u>ITEM</u> | <u>QTY</u> | <u>PART#</u> | <u>DESCRIPTION</u> |
|-------------|------------|--------------|------------------------------|
| 1 | 1 | 23N150A | ROD CLEVIS |
| 2 | 1 | YSSO12015 | SET SCREW, SOCKET, 3/8 X 3/8 |
| 3 | 1 | 66934 | ROD CAP |
| 4 | 8 | YNHX12006 | NUT HEX, 3/8-24 |
| 5 | 4 | 16SV170 | TIE ROD |
| 6 | 1 | 16SV169 | CYLINDER TUBE |
| 7 | 1 | 16SV168A | CYLINDER ROD |
| 8 | 1 | 56180 | PISTON |
| 9 | 1 | 23N148 | PISTON NUT |
| 10 | 1 | 66932 | CLEVIS CAP |
| 11 | 1 | SD270 | PLUG 6 |
| 12 | 1 | 56187 | SEAL KIT |
| * | 1 | 66933 | HYD CYLINDER 2 X 10 |

***MEANS NOT SHOWN**

FIGURE 13 **HYDRAULIC OPENING CYLINDER**

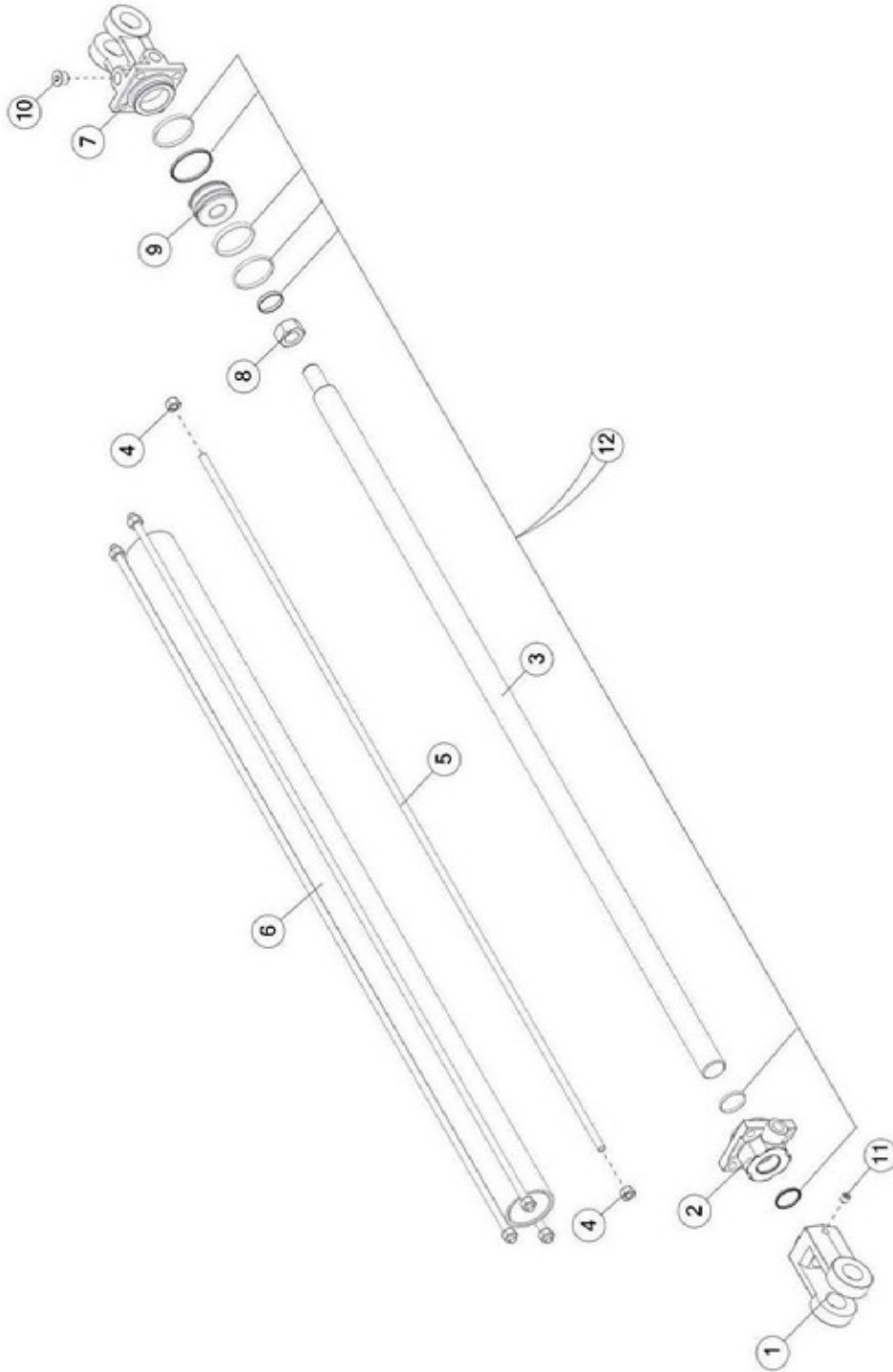


FIGURE 13
HYDRAULIC OPENING CYLINDER

| <u>ITEM</u> | <u>QTY</u> | <u>PART#</u> | <u>DESCRIPTION</u> |
|--------------------|-------------------|---------------------|------------------------------|
| 1 | 1 | 23N150A | ROD CLEVIS |
| 2 | 1 | 56174 | ROD CAP |
| 3 | 1 | BFR654 | ROD |
| 4 | 8 | YNHX10005 | NUT HEX, 5/16 G2 |
| 5 | 4 | BFR656 | TIE ROD |
| 6 | 1 | BFR655 | CYLINDER TUBE |
| 7 | 1 | 23N142A | CLEVIS CAP |
| 8 | 1 | 23N148 | PISTON NUT |
| 9 | 1 | 56180 | PISTON |
| 10 | 1 | SD270 | HEX PLUG |
| 11 | 1 | YSS012015 | SET SCREW, SOCKET, 3/8 X 3/8 |
| 12 | 1 | 56187 | SEAL KIT FOR 2 |
| * | 1 | 66935 | HYD CYLINDER 2 X 40 |

***MEANS NOT SHOWN**

FIGURE 14 **OPTIONAL 15" GAUGE WHEEL**

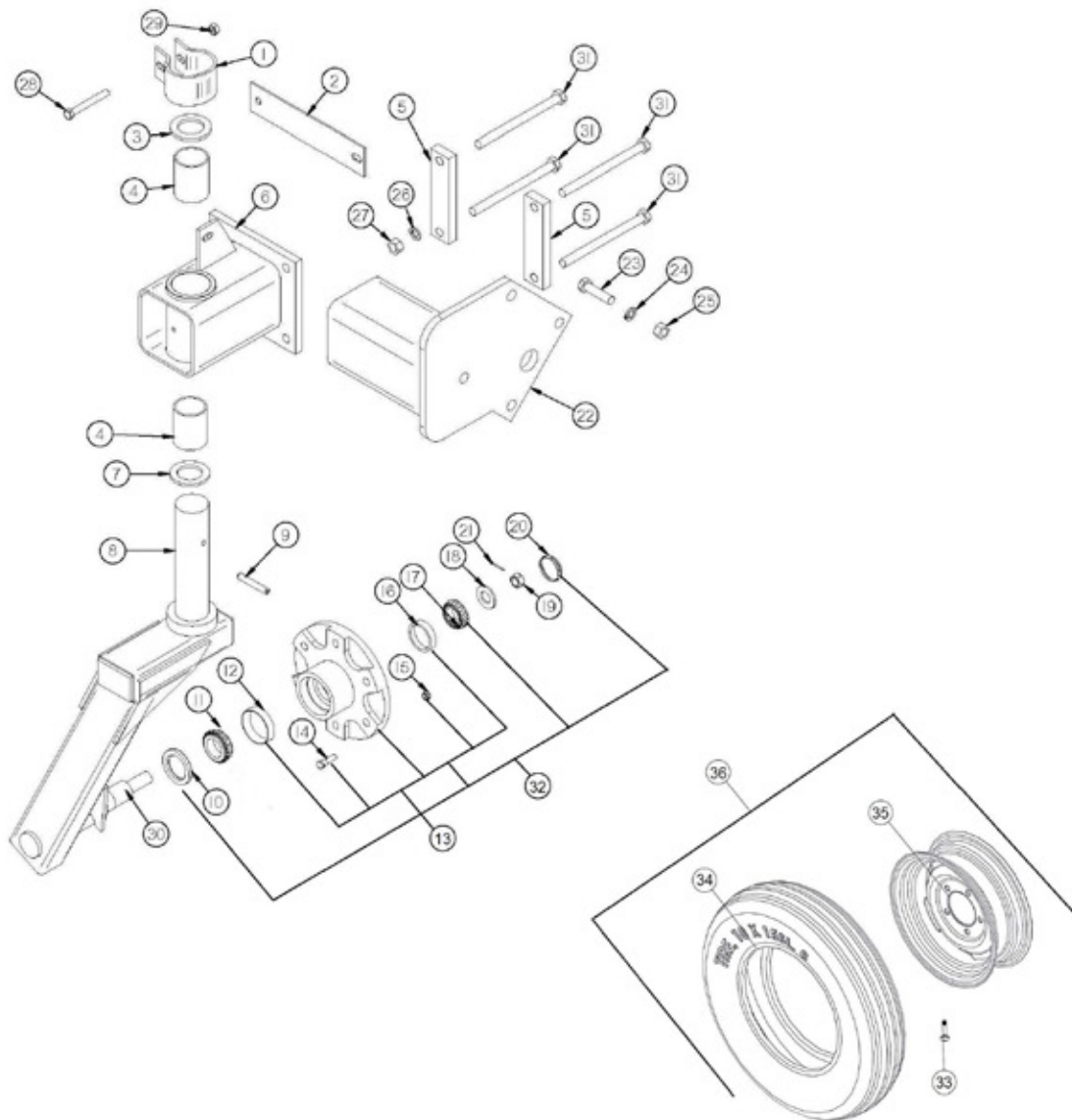


FIGURE 14

OPTIONAL 15" GAUGE WHEEL

| <u>ITEM</u> | <u>QTY</u> | <u>PART#</u> | <u>DESCRIPTION</u> |
|-------------|------------|--------------|------------------------------|
| 1 | 1 | BFR311 | BRAKE COLLAR |
| 2 | 1 | BFR310 | BRAKE PAD |
| 3 | 1 | BFR309 | GAUGE WHEEL WASHER |
| 4 | 2 | RG26 | STEEL BUSHING |
| 5 | 2 | BFR725 | MOUNTING STRAP |
| 6 | 1 | BFR643 | GAUGE WHEEL MOUNT |
| 7 | 1 | RG24 | BRONZE WASHER |
| 8 | 1 | BFR316 | GAUGE WHEEL FORK LH |
| * | 1 | BFR312 | GAUGE WHEEL FORK RH |
| 9 | 1 | YPEX10025 | EXPANSION PIN, 5/16 X 2-3/4 |
| 10 | 1 | BFR57 | SEAL |
| 11 | 1 | BFR58 | INNER BEARING |
| 12 | 1 | BFR59 | INNER RACE |
| 13 | 1 | BFR60 | HUB |
| 14 | 6 | YBSD16005 | BOLT STUD, 1/2 X 1-7/8 |
| 15 | 6 | YNWL16005 | WHEEL NUT, 1/2 |
| 16 | 1 | BFR61 | OUTER RACE |
| 17 | 1 | BFR62 | OUTER BEARING |
| 18 | 1 | YWFL24010 | WASHER FLAT, 3/4 |
| 19 | 1 | YNLS24010 | NUT HEX, SLOTTED, 3/4 |
| 20 | 1 | BFR66 | HUB CAP |
| 21 | 1 | YPCT05010 | COTTER PIN, 5/32 X 1-1/2 |
| 22 | 1 | BFR644 | GAUGE WHEEL EXTENSION LH |
| * | 1 | BFR645 | GAUGE WHEEL EXTENSION RH |
| 23 | 1 | YBHH20025 | BOLT HEX, 5/8 X 2 G5 |
| 24 | 4 | YWLO20005 | WASHER LOCK, 5/8 |
| 25 | 4 | YNHX20005 | NUT HEX, 5/8 |
| 26 | 4 | YWLO16005 | WASHER LOCK, 1/2 |
| 27 | 4 | YNHX16005 | NUT HEX, 1/2 |
| 28 | 4 | YBHH12115 | BOLT HEX, FT, 3/8-16 X 3, G2 |
| 29 | 1 | YNHX12005 | NUT HEX, 3/8-16 |
| 30 | 1 | BFR56 | SPINDLE |
| 31 | 1 | YBHH16175 | BOLT HEX, 1/2 X 6-1/2 G5 |
| 32 | 1 | BFR75 | COMPLETE HUB |
| 33 | 1 | 72436 | VALVE STEM, 1-1/2 |
| 34 | 1 | BFR128 | TIRE 670 X 15 |
| 35 | 1 | BFR67 | WHEEL, 5 X 15 |
| 36 | 1 | 32006 | 6.70-15 TIRE ON 5 X 15 WHEEL |

***MEANS NOT SHOWN**

FIGURE 15 **OPTIONAL 2 WHEEL EXTENSION**

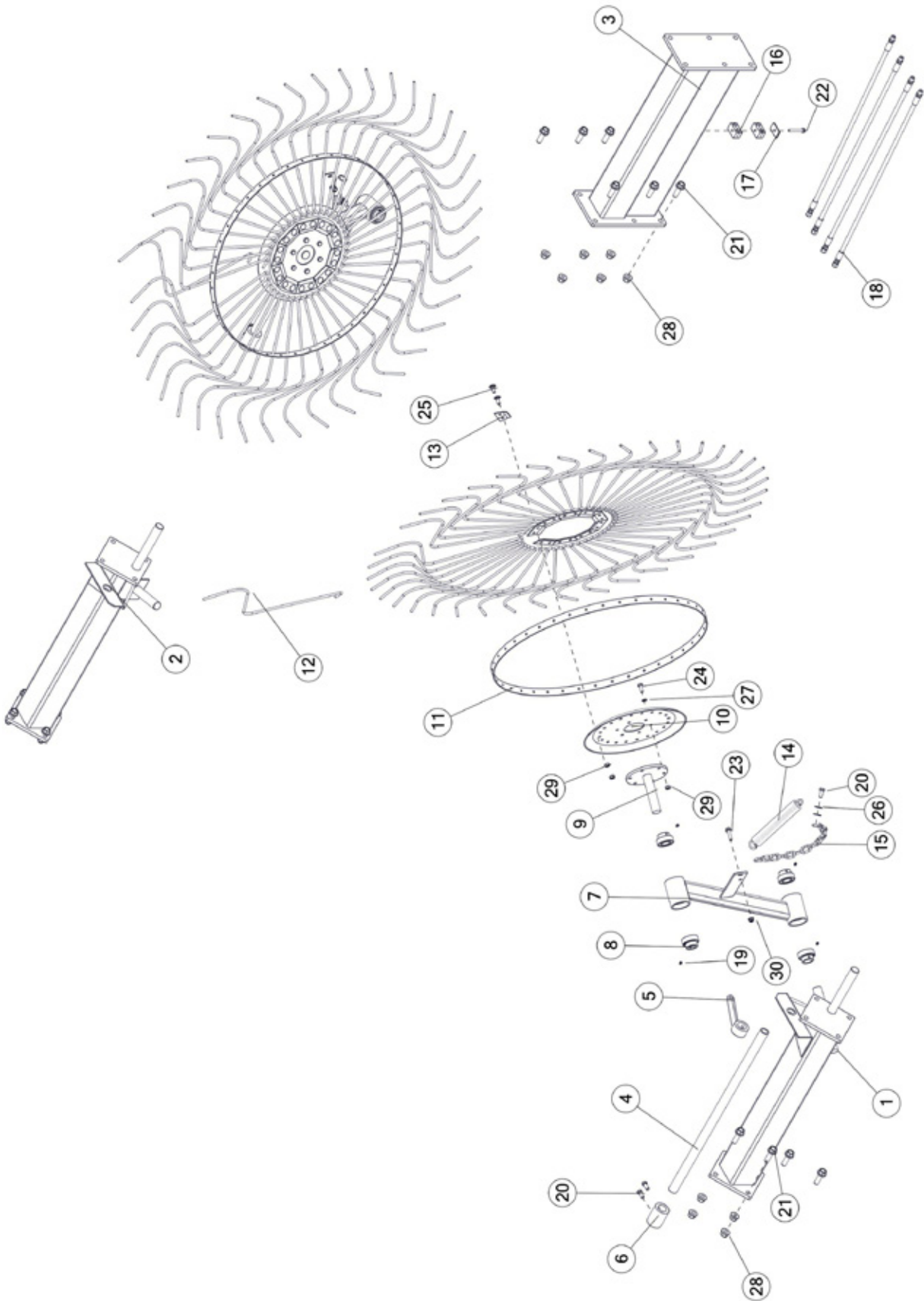


FIGURE 15

OPTIONAL 2 WHEEL EXTENSION

| <u>ITEM</u> | <u>QTY</u> | <u>PART#</u> | <u>DESCRIPTION</u> |
|-------------|------------|--------------|--|
| 1 | 1 | BFR733 | RAKE BEAM EXTENSION RIGHT |
| 2 | 1 | BFR734 | RAKE BEAM EXTENSION LEFT |
| 3 | 1 | 67429 | POLE EXTENSION |
| 4 | 2 | BFR536 | LIFTING PIPE EXT |
| 5 | 1 | BFR430 | SPRING BRACKET, RH |
| * | 1 | BFR431 | SPRING BRACKET, LH |
| 6 | 2 | BFR537 | LIFTING PIPE CONNECTOR |
| 7 | 1 | BFR490 | RAKE ARM RH |
| * | 1 | BFR489 | RAKE ARM LH |
| 8 | 8 | BFR525 | BALL BEARING, 1.25, W/LOCK COLLAR |
| 9 | 2 | BFR657 | RAKE WHEEL HUB |
| 10 | 2 | T179 | RAKE WHEEL CENTER-CREAM |
| 11 | 2 | T177 | RAKE WHEEL OUTER RING-CREAM |
| 12 | 40 | T176 | REGULAR RAKE WHEEL TOOTH, 55", CREAM |
| 13 | 20 | T178 | RAKE TOOTH CLIP-CREAM |
| 14 | 2 | BFR138 | SPRING |
| 15 | 2 | BFR140 | RAKE ARM ADJUSTMENT CHAIN |
| 16 | 2 | 67354 | HOSE CLAMP, DOUBLE, 1/4" |
| 17 | 1 | 56563 | CLAMP TOP PLATE |
| 18 | 4 | 72142 | HYD HOSE ASSY, 4 X 33, 6 JIC, 6JIC |
| 19 | 8 | YSKP10020 | SET SCREW, SCKT, KNRLD CP PT, 5/16-24X3/8 W/NYL PTCH |
| 20 | 6 | YBHH14005 | BOLT FLANGE, 7/16-14 X 1 G5 |
| 21 | 14 | YBFB20200 | BOLT FLANGE, 5/8 X 2 G5 |
| 22 | 1 | YBFB10250 | BOLT FLANGE, 5/16 X 2-1/2 G5 |
| 23 | 2 | YBFB12150 | BOLT FLANGE, 3/8 X 1-1/2 G5 |
| 24 | 12 | YBHH76015 | BOLT HEX, M10-1.5 X 25 10.9 ZC |
| 25 | 40 | YBCR76005 | BOLT CARRAIGE, M10-1.5 X 25MM 8.8 NF |
| 26 | 4 | YWFL14005 | WASHER FLAT, 7/16 USS, ZINC |
| 27 | 12 | YWLO76015 | WASHER LOCK, M10 |
| 28 | 14 | YNFG20005 | NUT FLANGE, 5/8-11 LKTL F ZC |
| 29 | 40 | YNHX76015 | NUT HEX, M10-1.5 NA CL10 ZC |
| 30 | 2 | YNFG12006 | NUT FLANGE, 3/8 GF |

***MEANS NOT SHOWN**

FIGURE 16
OPTIONAL 2 WHEEL CENTER KICKER WHEEL

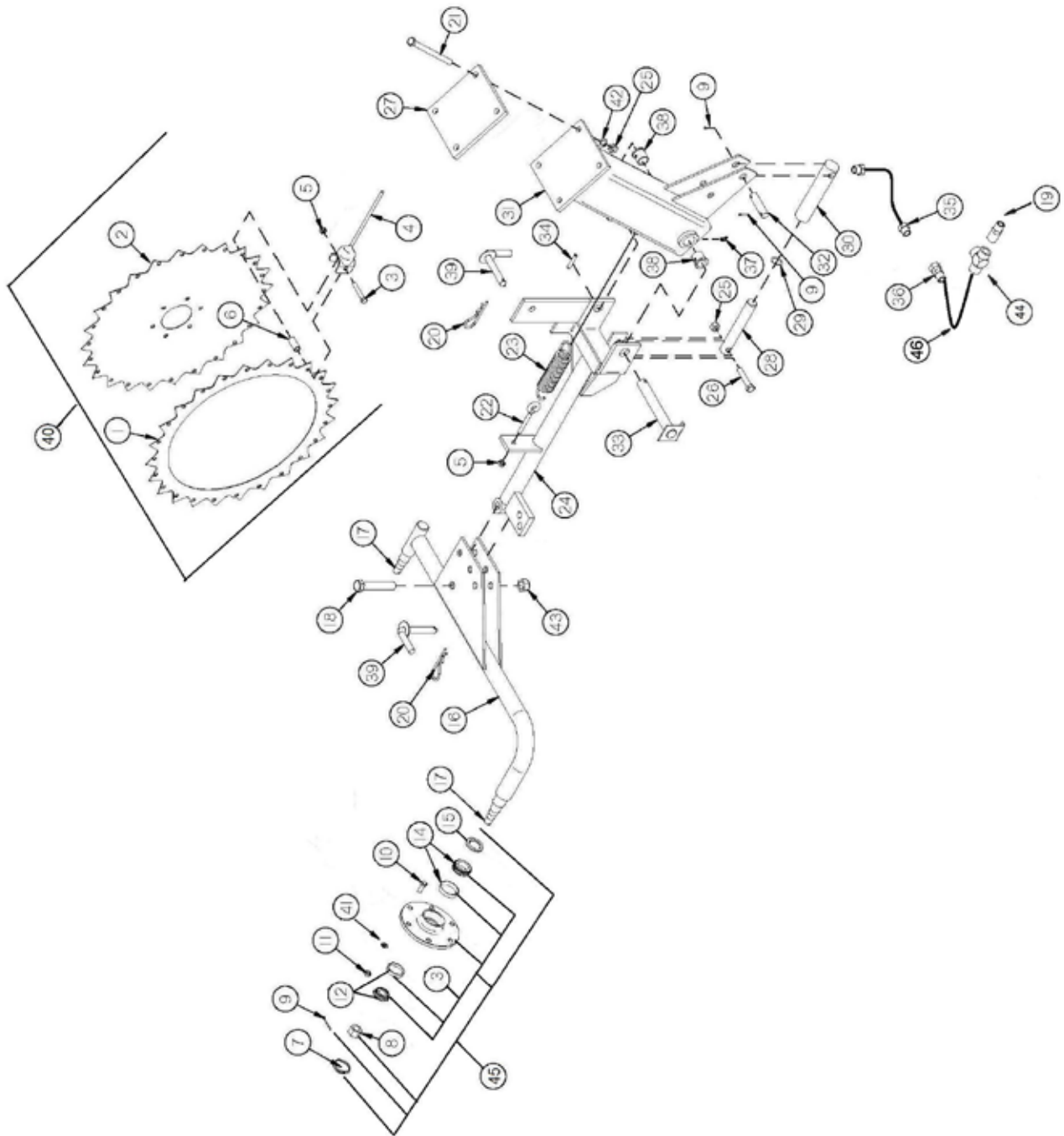


FIGURE 16

OPTIONAL 2 WHEEL CENTER KICKER WHEEL

| <u>ITEM</u> | <u>QTY</u> | <u>PART#</u> | <u>DESCRIPTION</u> |
|-------------|------------|--------------|---------------------------------------|
| 1 | 2 | BFR369 | RAKE WHEEL RING |
| 2 | 2 | BFR370 | RAKE WHEEL CENTER |
| 3 | 48 | YBHH12100 | BOLT HEX, 3/8 X 2-1/4, G5, ZC |
| 4 | 48 | T82 | RAKE WHEEL TOOTH |
| 5 | 49 | YNTL12005 | NUT HEX, TOP LOCK, 3/8 |
| 6 | 48 | BFR371 | RAKE WHEEL SPACER |
| 7 | 2 | T173 | HUB CAP |
| 8 | 2 | YNL24010 | NUT HEX, SLOTTED, 3/4 |
| 9 | 4 | YPCT05010 | COTTER PIN, 5/32 X 1-1/2 |
| 10 | 12 | YBHH76015 | BOLT HEX, M10-1.5 X 25 |
| 11 | 12 | YNHX76015 | NUT HEX, 10MM |
| 12 | 2 | 600014 | OUTER BEARING AND RACE |
| 13 | 2 | BFR32 | RAKE WHEEL HUB |
| 14 | 2 | 600012 | INNER BEARING AND RACE |
| 15 | 2 | T163 | SEAL |
| 16 | 1 | BFR511 | CENTER KICKER WHEEL ARM |
| 17 | 2 | BFR36 | SPINDLE |
| 18 | 1 | YBHH24050 | BOLT HEX, 3/4 X 3 G5 |
| 19 | 1 | 67148 | QUICK COUPLER |
| 20 | 2 | YPHR02010 | HAIR PIN |
| 21 | 4 | YBHH16175 | BOLT HEX, 1/2 X 6-1/2 G5 |
| 22 | 1 | YBTE12025 | BOLT, TURNED EYE, 3/8 X 3 FULL THREAD |
| 23 | 1 | BR62 | SPRING |
| 24 | 1 | BFR512 | CENTER KICKER WHEEL PIVOT |
| 25 | 5 | YNL16005 | NUT HEX, TOP LOCK, 1/2 |
| 26 | 1 | YBHH16080 | BOLT HEX, 1/2 X 2-1/2 G5 |
| 27 | 1 | BFR513 | KICKER WHEEL MOUNT |
| 28 | 1 | BFR114 | PISTON |
| 29 | 1 | BFR115 | O-RING |
| 30 | 1 | BFR116 | HYD CYLINDER |
| 31 | 1 | BFR514 | KICKER WHEEL OFFSET |
| 32 | 1 | BFR515 | CYLINDER PIN |
| 33 | 1 | BFR379 | AXLE SHAFT |
| 34 | 1 | YPEX10015 | EXPANSION PIN, 5/16 X 1-3/4 |
| 35 | 1 | BFR121 | HOSE |
| 36 | 1 | 58721 | ADAPTER, 3/8 MALE WITH .031 ORIFICE |
| 37 | 1 | RG21 | GREASE ZERK, 45 DEGREE |
| 38 | 2 | BFR27 | BUSHING |
| 39 | 2 | BFR197 | LOCKING PIN |
| 40 | 1 | BFR748 | COMPLETE WHEEL ASSEMBLY |
| 41 | 12 | YWLO76015 | WASHER LOCK, M10 |
| 42 | 4 | YWFL16005 | WASHER FLAT, 1/2 |
| 43 | 1 | YNL24005 | NUT HEX, 3/4 |
| 44 | 1 | 70212 | FITTING |
| 45 | 1 | BFR76 | RAKE WHEEL HUB W/BEARINGS |
| 46 | 1 | 71813 | HYD HOSE, 6 X 66, 6 NPTF, 8 ORB |

FIGURE 17
OPTIONAL WIND GUARD

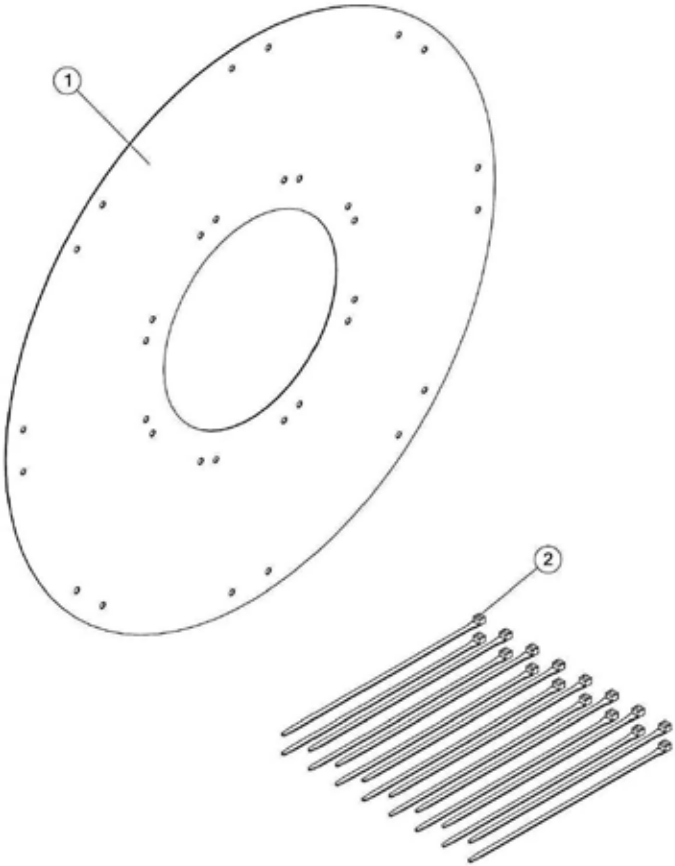


FIGURE 17
OPTIONAL WIND GUARD

| <u>ITEM</u> | <u>QTY</u> | <u>PART#</u> | <u>DESCRIPTION</u> |
|--------------------|-------------------|---------------------|---------------------------|
| 1 | 1 | 59040 | POLY WIND GUARD 55 |
| 2 | 2 | CIZT105 | ZIPTIE |

FIGURE 18
OPTIONAL RAKE LIGHTS

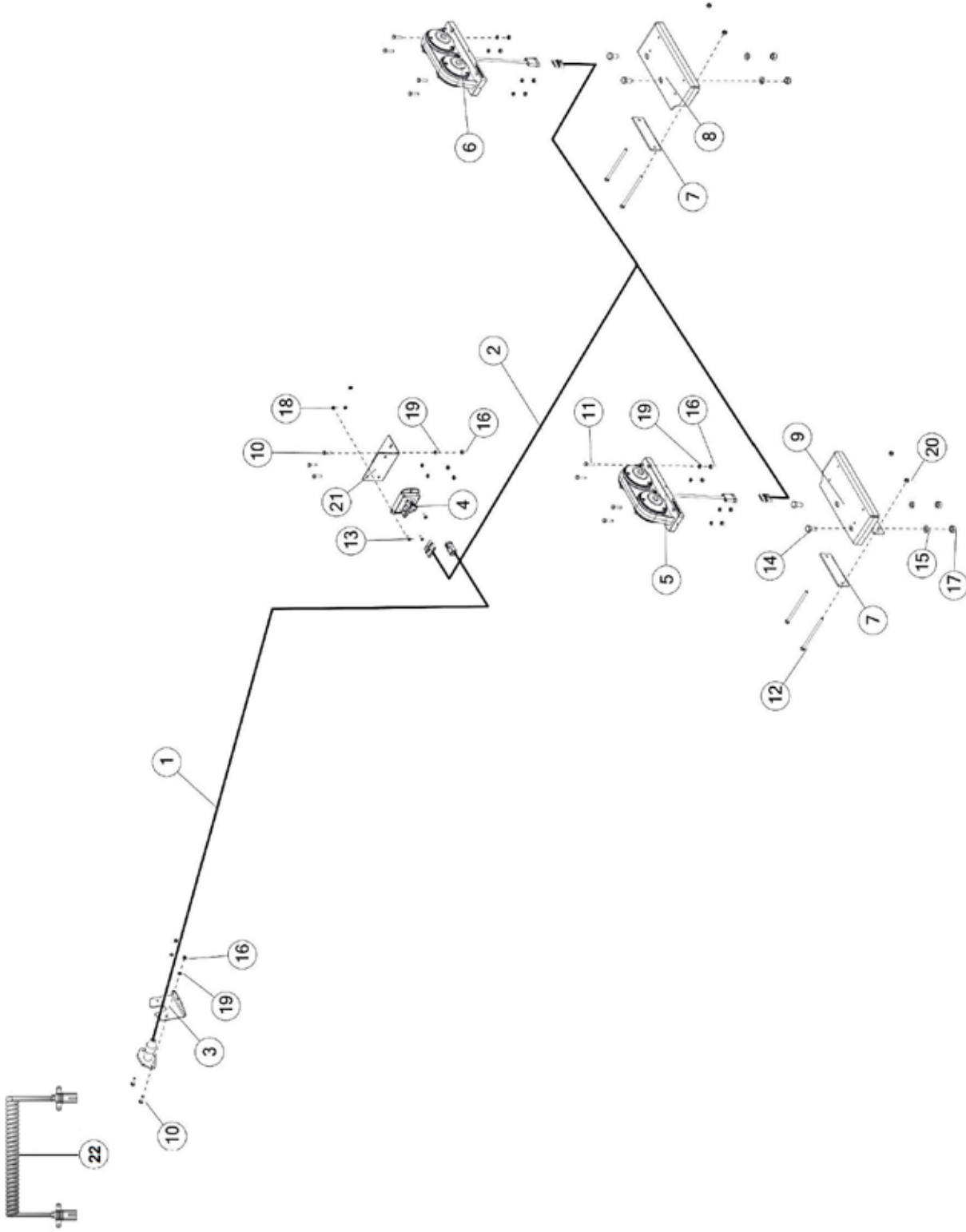


FIGURE 18

OPTIONAL RAKE LIGHTS

| <u>ITEM</u> | <u>QTY</u> | <u>PART#</u> | <u>DESCRIPTION</u> |
|-------------|------------|--------------|-----------------------------|
| 1 | 1 | 77858 | LIGHT HARNESS |
| 2 | 1 | 77847 | LIGHT HARNESS REAR |
| 3 | 1 | BFR659 | LIGHT BRACKET |
| 4 | 1 | 69908 | MODULE CONTROL BLINKER |
| 5 | 1 | 77923 | TAIL LIGHT LH |
| 6 | 1 | 77924 | TAIL LIGHT RH |
| 7 | 2 | 77977 | LIGHT BRACKET, PLATE |
| 8 | 1 | 77844 | LIGHT BRACKET RH |
| 9 | 1 | 77846 | LIGHT BRACKET LH |
| 10 | 1 | 78369 | MODULE BRACKET |
| 11 | 5 | YBHH08005 | BOLT HEX, 1/4 X 1 G2 |
| 12 | 8 | YBHH08030 | BOLT HEX, 1/4 X 1-1/4 G2 |
| 13 | 4 | YBHH10133 | BOLT HEX, 5/16 X 5-1/2 G5 |
| 14 | 4 | YBHH16010 | BOLT HEX, 1/2 X 1 G5 |
| 15 | 3 | YSPN64005 | SCREW PAN HEAD #10-24 X 5/8 |
| 16 | 5 | YWLO08005 | WASHER LOCK, 1/4 |
| 17 | 4 | YWLO16005 | WASHER LOCK, 1/2 |
| 18 | 5 | YNHX08005 | NUT HEX, 1/4 G5 |
| 19 | 4 | YNHX16005 | NUT HEX, 1/2 G2 |
| 20 | 4 | YNNY10005 | NUT HEX, 5/16 G2 |
| 21 | 3 | YNNY64005 | NUT HEX, #10-24 G2 |
| 22 | 1 | TLCP | TRANSPORT LIGHT CORD |

***MEANS NOT SHOWN**

FIGURE 19
TIRE & WHEEL OPTIONAL

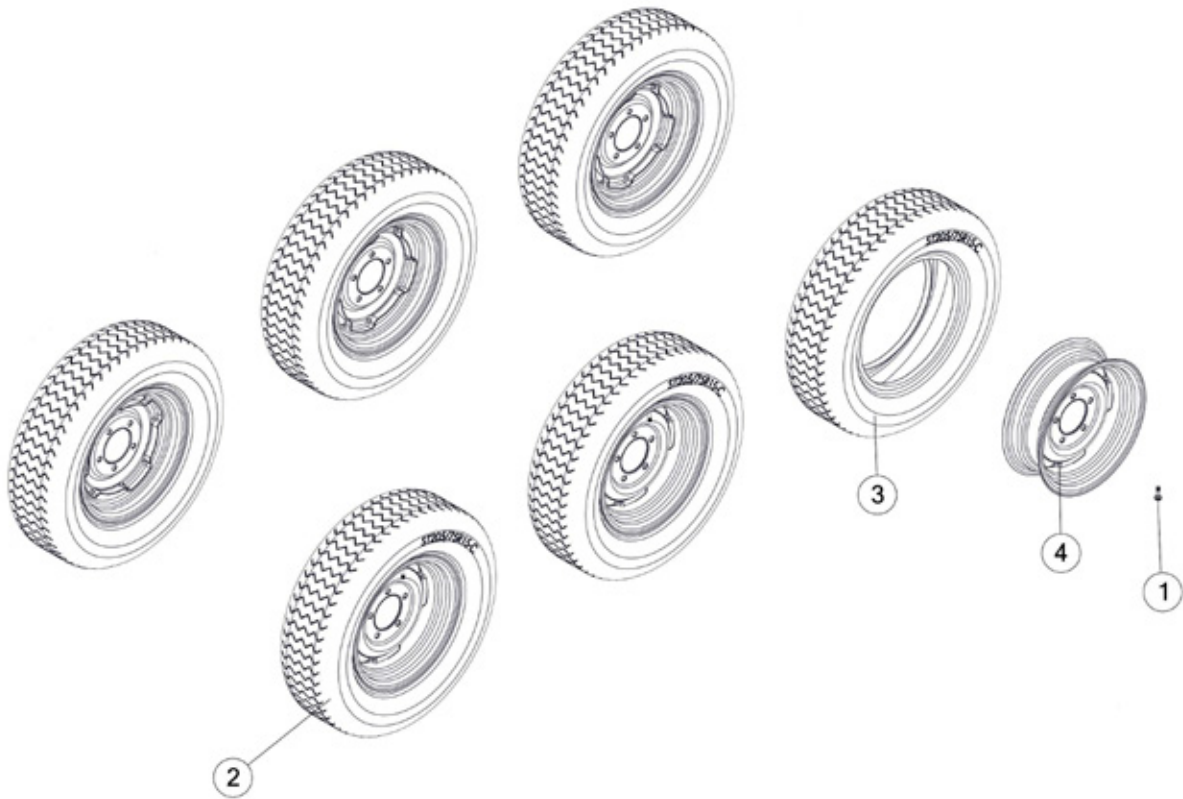


FIGURE 19
TIRE & WHEEL OPTIONAL

| <u>ITEM</u> | <u>QTY</u> | <u>PART#</u> | <u>DESCRIPTION</u> |
|-------------|------------|--------------|----------------------------|
| 1 | 6 | 72436 | VALVE STEM, 1-1/2 |
| 2 | 6 | 75697 | 205/75R15 TIRE ON AG WHEEL |
| 3 | 6 | 75696 | ST205/75R15-C RADIAL TIRE |
| 4 | 6 | BFR67 | WHEEL 5 X 15 5 BOLT |

CHANGE NOTES

H&S MFG. CO.

products approved

for the

FEMA

SEAL OF QUALITY



Manufactured by:

H&S MANUFACTURING CO., INC.

2608 S. HUME AVE. MARSHFIELD, WI 54449

(715) 387-3414 | hsmfgco.com

