



PARTS BOOK

S3237

MANURE SPREADER

Part #85975

Rev. #07

HSMFG121924

Starting Ser. # 522MS37001



TABLE OF CONTENTS

FIGURE #	CONTENTS	PAGE #
*	INSTRUCTIONS FOR ORDERING PARTS	1
1	JACK SHAFT SHIELD & COMPONENTS	2
2	FRONT SHIELDS & COMPONENTS	3
3	FRONT SHAFT & COMPONENTS	4-5
4	SHIFTING LINKS & COMPONENTS	6-7
5	FRONT SHAFT, SHIELDS & COMPONENTS	8-9
6	BEATER GEARBOX & COMPONENTS	10-11
7	APRON GEARBOX & COMPONENTS	12-13
8	GEARBOX SHIELD & COMPONENTS	14-15
9	BOTTOM BEATER & COMPONENTS	16-17
10	SPLASH GUARD & COMPONENTS	18-19
11	APRON CHAIN TIGHTENER & COMPONENTS	20
12	DRIVE SHAFT & COMPONENTS	21
13	FLOOR, SIDE PANELS & COMPONENTS	22-23
14	SIDE FLARES	24
15	APRON CHAIN	25
16	HYDRAULIC ENDGATE ASSEMBLY	26-27
17	APRON GEAR BOX	28-29
18	BEATER GEAR BOX	30-31
19	PTO	32-33
20	WHEEL & HUB ASSEMBLY	34-35
21	OPTIONAL 1000 RPM PTO (MSOPTO1038)	36-37
22	OPTIONAL TOP BEATER (MSOTB337)	38-41
23	OPTIONAL REAR PAN (MSOPAN310)	42-43
24	OPTIONAL HYDRAULIC DRIVE KIT 4 HOSE (MSO310HD4)	44-45
	OPTIONAL HYDRAULIC DRIVE KIT 4 HOSE (MSO310HD4EC)	46-47
25	W/ELECTRIC CONTROL	48-49
26	OPTIONAL ELECTRIC CONTROLS HYDRAULIC DRIVE (MSO-EC)	50-51
27	OPTIONAL HIGHWAY LIGHTING KIT (MSOLIGHT)	52-53
28	OPTIONAL TIRE / WHEEL (TWSHP370)	54
*	PARTS NOTES	



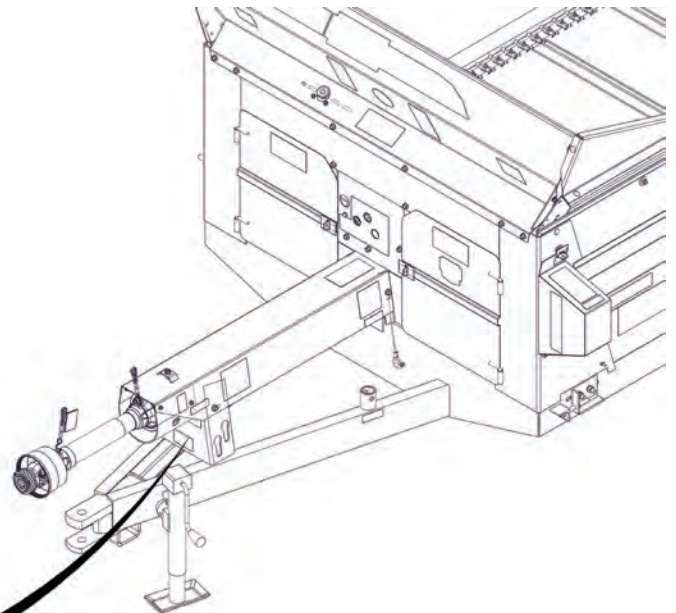
INSTRUCTIONS FOR ORDERING PARTS

All service parts should be ordered through your authorized H&S dealer. Your Dealership will be able to give you faster service if you will provide them with the following:

1. All references to left or right apply to the machine as viewed from the rear.
2. Parts should not be ordered from illustration only. Please order complete part number.
3. If your dealer has to order parts - give shipping instructions:

VIA truck - large pieces (please specify local truck lines)

VIA United Parcel Service (include full address)



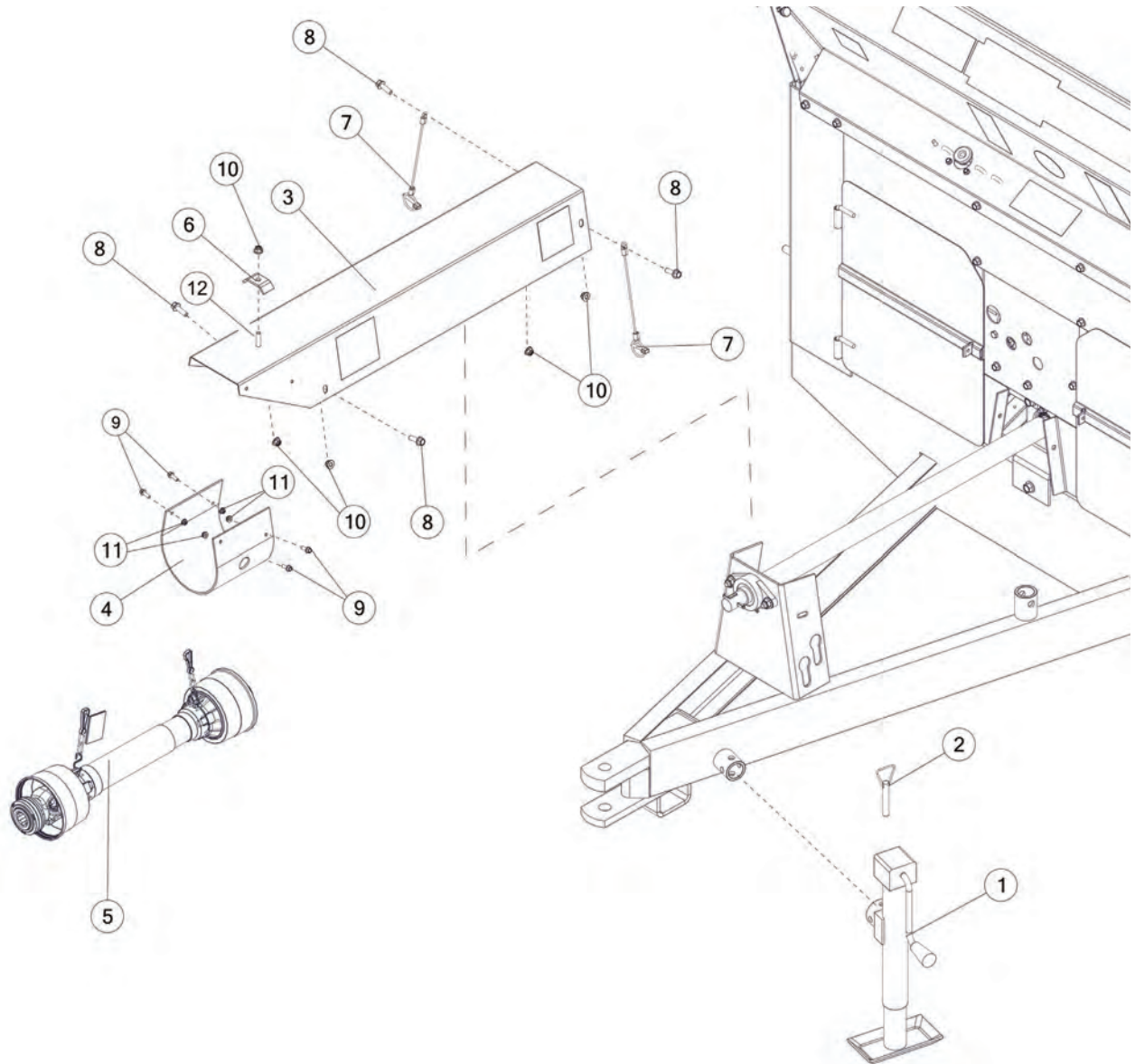
H&S MFG. CO. INC. MARSHFIELD, WIS.	
MOD. NO.	<input type="text"/>
SER. NO.	<input type="text"/>
DESCR.	<input type="text"/>

PLEASE RECORD NUMBERS FOR YOUR UNIT FOR QUICK REFERENCE

H&S IS CONTINUALLY STRIVING TO IMPROVE ITS PRODUCTS

We must, therefore, reserve the right to make improvements or changes whenever it becomes practical to do so, without incurring any obligation to make changes or additions to the equipment previously sold.

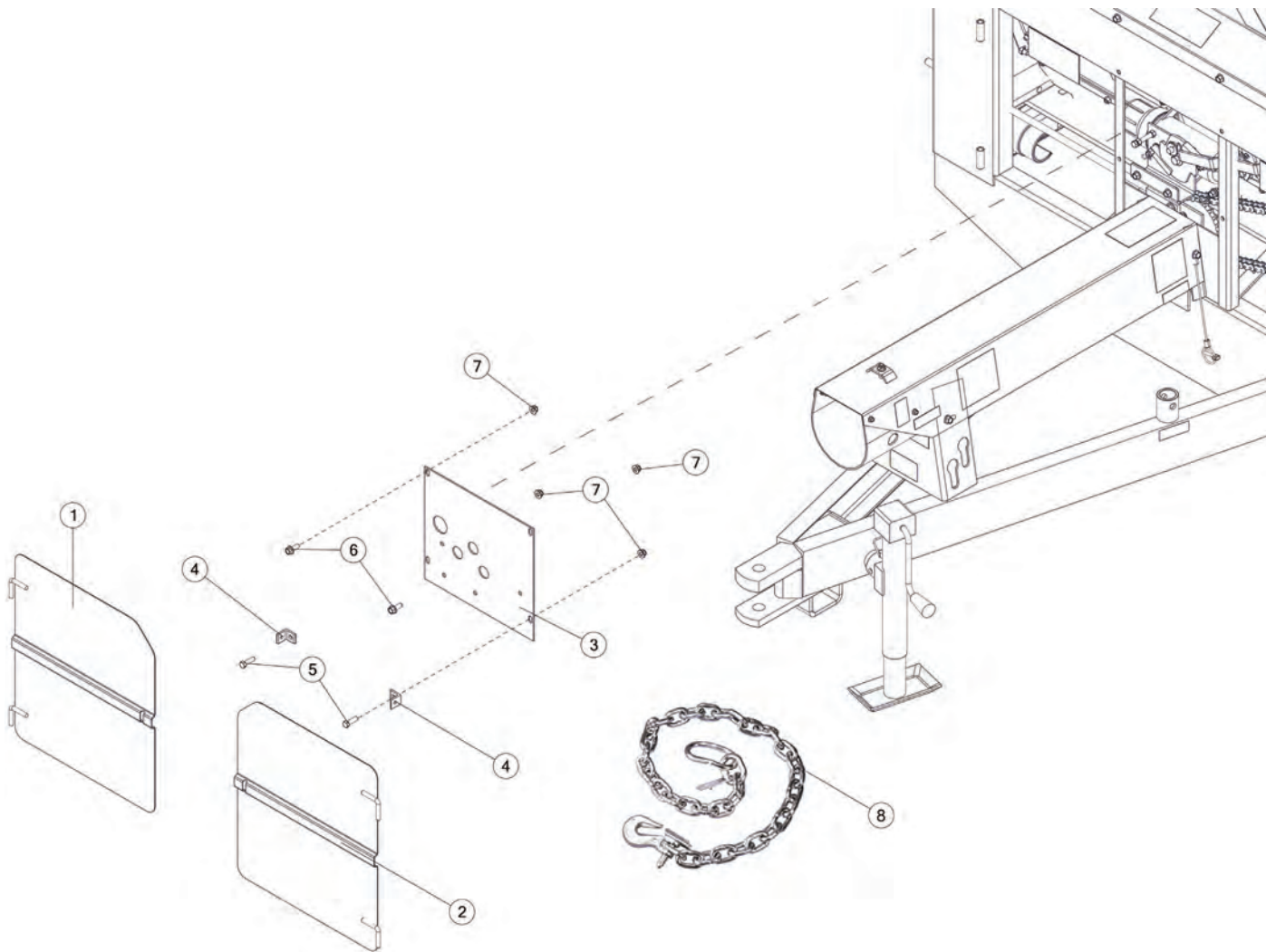




REF #	PART #	DESCRIPTION	QTY
1	27N49	JACK W/MOUNT, 5000# SW 10" LIFT	1
2	27N50	JACK PIN & CHAIN	1
3	23N66B	JACK SHAFT SHIELD W/DECALS	1
4	F54	PTO RUBBER	1
5	23N152Z	COMPLETE PTO	1
6	23N67	FRONT HOSE BRACKET	1
7	S122	LANYARD, CLIP PIN CABLE	2
8	YBFB12125	BOLT FLANGE, 3/8 X 1-1/4 G5	4
9	YBFB08075	BOLT FLANGE, 1/4 X 3/4 G5	4
10	YNFG12006	NUT FLANGE, 3/8 GF	5
11	YNFG08010	NUT FLANGE, 1/4 GF	4
12	YBFB12150	BOLT FLANGE, 3/8 X 1-1/2 G5	1



FIGURE 2 FRONT SHIELDS & COMPONENTS



REF #	PART #	DESCRIPTION	QTY
1	23N305B	FRONT SHIELD RIGHT W/DECALS	1
2	23N306B	FRONT SHIELD LEFT W/DECALS	1
3	23N195	SHIFTER PANEL	1
4	F92	FRONT SHIELD BRACKET	2
5	YBHH12035	BOLT HEX, 3/8-16 X 1-1/4 G5	2
6	YBFB12003	BOLT FLANGE, 3/8 X 1 G5	2
7	YNFG12006	NUT FLANGE, 3/8 GF	4
8	SC30000	SAFETY CHAIN 30,000 LB. RATING	1





FIGURE 3 FRONT SHAFT & COMPONENTS





FIGURE 4

SHIFTING LINKS & COMPONENTS

REF #	PART #	DESCRIPTION	QTY
12	23N63	TIGHTENER ROD	1
13	YMHK91005	S-HOOK 0.162 X 1-1/4	1
14	23N187	EXTENSION SPRING	1
15	23N186	TORSION SPRING	2
16	37N64	CHAIN, 1/4, 9P	1
17	YNHX10005	NUT HEX, 5/16-18 RH	1
18	F84	TURNBUCKLE ASSEMBLY	1
19	ES14	LOOP	1
20	71279	SLEEVE, .13 X .63	2
21	F33	SIDE CABLE GUIDE	2
22	37N53	CABLE, 3/16, 212	1
23	77192	ROPE, 5/16, 180	1
24	YPCT04005	COTTER PIN, 1/8 X 1	1
25	D107	ROPE PULLER	1
26	YBHH12125	BOLT HEX, 3/8 X 3 G5	1
27	YBHH16065	BOLT HEX, 1/2-13 X 2 G5	1
28	YBCR12045	BOLT CARRIAGE, 3/8-16 X 2-1/4 G5 ZC	1
29	YBCR12035	BOLT CARRIAGE, 3/8 X 2 G5	1
30	YBFB12225	BOLT FLANGE, 3/8 X 2-1/4 G5	1
31	YBFB16125	BOLT FLANGE, 1/2 X 1-1/4 G5	1
32	YBHH12010	BOLT HEX, 3/8 X 1 G5	2
33	YBHH12035	BOLT HEX, 3/8-16 X 1-1/4 G5	2
34	YBFB12003	BOLT FLANGE, 3/8 X 1 G5	2
35	YBFB08075	BOLT FLANGE, 1/4 X 3/4 G5	2
36	F129	TIGHTENER WASHER	1
37	YWFL12005	WASHER, FLAT, 3/8	3
38	31N51	SHIFTER SPACER WASHER	1
39	YWFL14005	WASHER, FLAT, 7/16 ZC	2
40	YWFL16005	WASHER, FLAT, 1/2	4
41	YWCU12005	WASHER, CUSTOM, .435	1
42	YNHX20005	NUT HEX, 5/8-11 ZC	2
43	YNTL16005	NUT HEX, 1/2-13 LKTL ZC	1
44	YNFG08010	NUT FLANGE, 1/4 GF	2
45	YNFG12006	NUT FLANGE, 3/8 GF	3
46	YNTL12005	NUT HEX, 3/8-16 LKTL ZC	6
47	YNHX10015	NUT HEX, 5/16-18 G2 ZC LH	1





FIGURE 5
FRONT SHAFT, SHIELDS & COMPONENTS

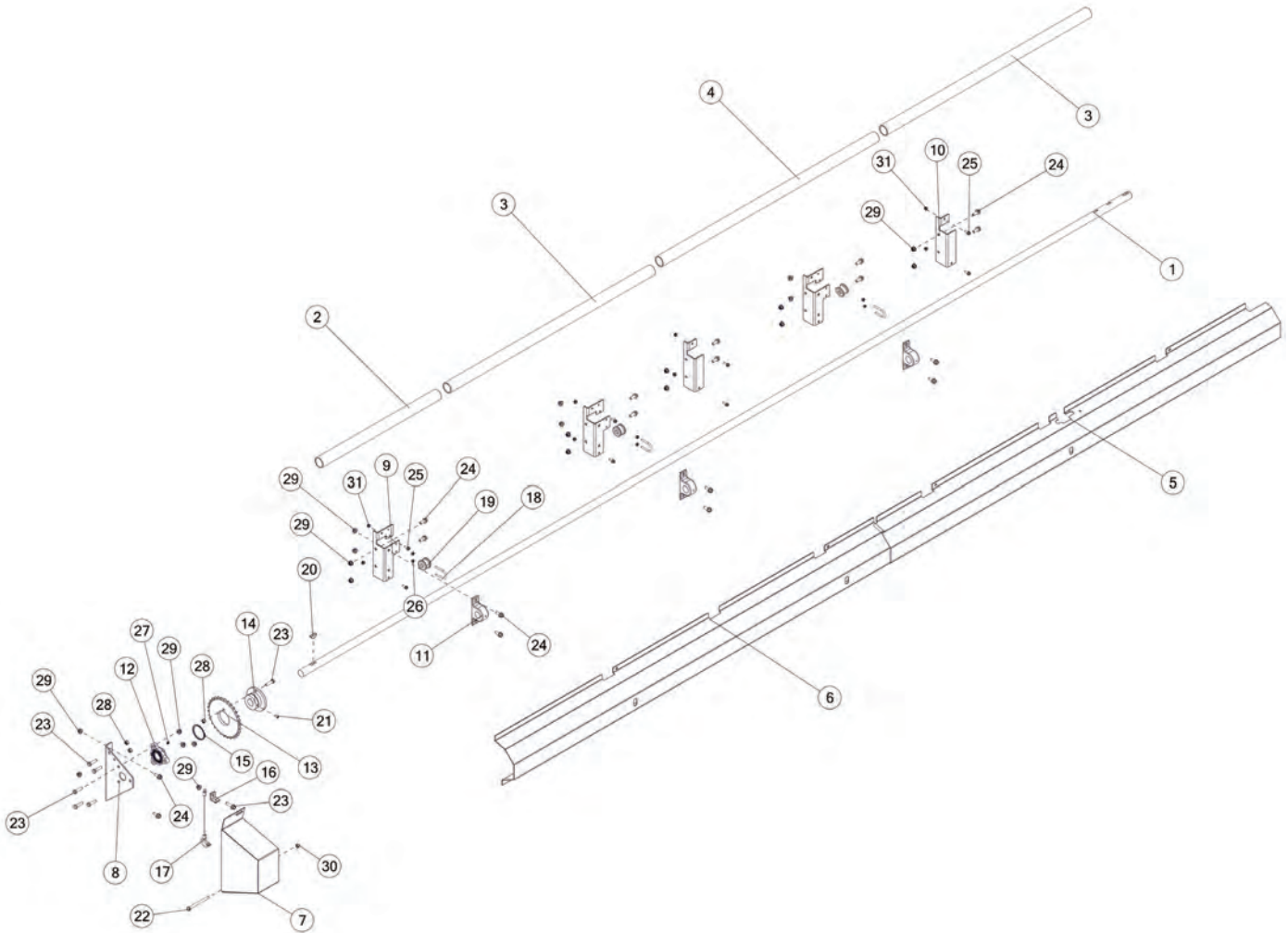


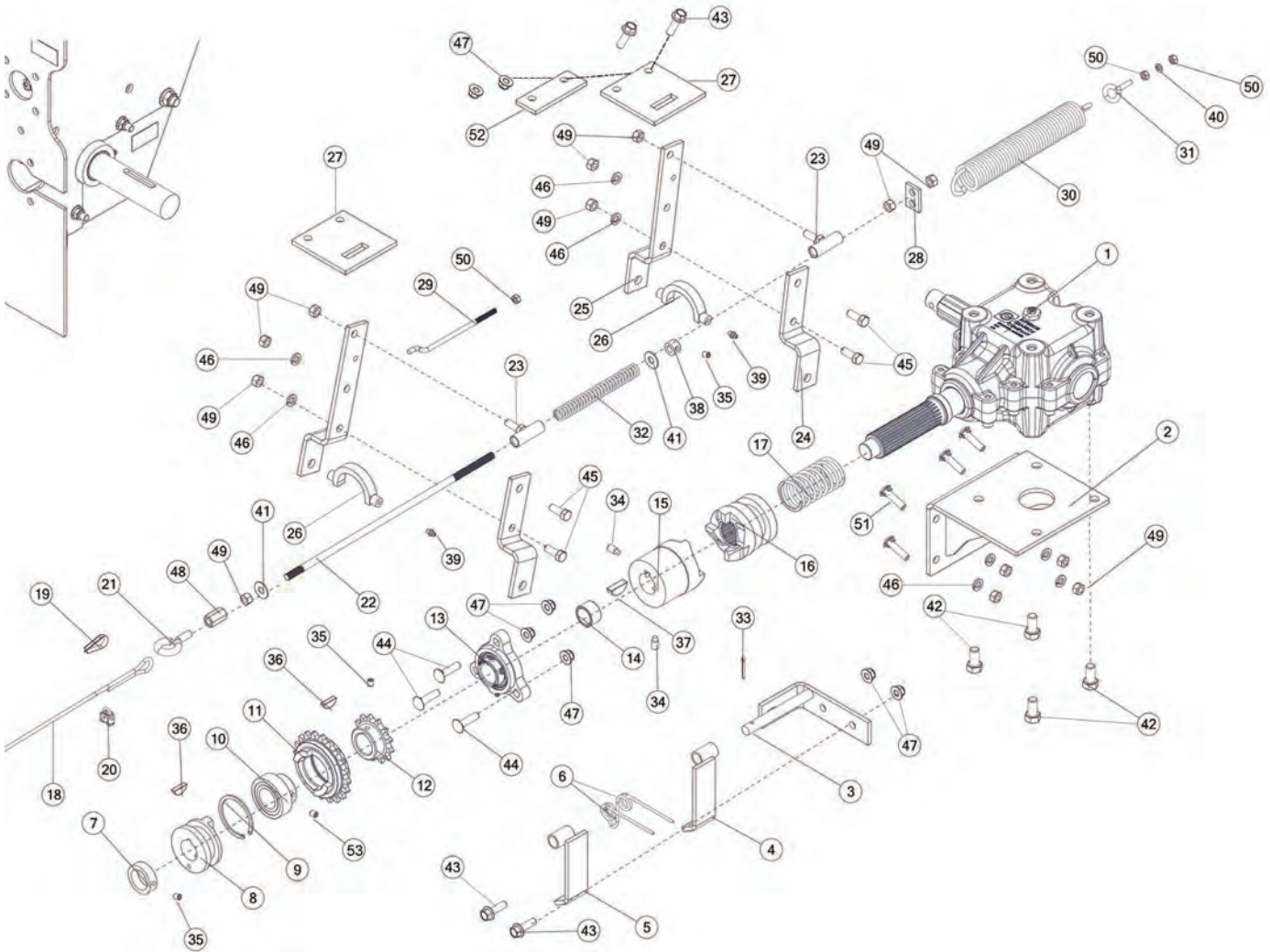


FIGURE 5

FRONT SHAFT, SHIELDS & COMPONENTS

REF #	PART #	DESCRIPTION	QTY
1	37N58	SIDE SHAFT	1
2	37N75	#1 SIDE SHAFT GUARD 27.50	1
3	37N76	#2 SIDE SHAFT GUARD 47.50	2
4	37N77	#3 SIDE SHAFT GUARD 50.25	1
5	86123B	SIDE SHIELD, W/DECALS REAR	1
6	86122B	SIDE SHIELD, W/DECALS FRONT	1
7	85034B	SIDE SHIELD W/DECALS	1
8	85014B	BEARING PLATE W/DECALS	1
9	86104	BEARING BRACKET	3
10	86291	SHIELD BRACKET	2
11	12N36	BEARING, PILLOW BLOCK 1-1/4	3
12	80662	BEARING, 1-1/4	1
13	C1MS01	SHEAR SPROCKET	1
14	45N71	SHEAR HUB	1
15	23N189	SNAP RING, EXTERNAL, 2.44	1
16	F92	FRONT SHIELD BRACKET	1
17	S122	LANYARD, CLIP PIN CABLE	1
18	YBPU08005	PIPE U-BOLT, 1/4 X 3/4	3
19	F33	SIDE CABLE GUIDE	3
20	5B9	WOODRUFF KEY, 3/8 X 1-1/4	1
21	YSKP12010	SET SCREW, SOCKT, KNURLED CUP PT, 3/8-16 X 1/2	1
22	YBHH12185	BOLT HEX, 3/8 X 4-1/2 G5	1
23	YBHH12025	BOLT HEX, 3/8-16 X 1-1/2 G5	7
24	YBFB12003	BOLT FLANGE, 3/8 X 1 G5	18
25	YBFB08075	BOLT FLANGE, 1/4 X 3/4 G5	10
26	YNHX08005	NUT HEX, 1/4-20 ZC	6
27	G89	ZERK, 1/4-28 STRAIGHT	1
28	YNTL12005	NUT HEX, 3/8-16 ZC	3
29	YNFG12006	NUT FLANGE, 3/8 GF	21
30	YNRL12005	NUT HEX, 3/8-16 ZC	1
31	YNFG08010	NUT FLANGE, 1/4 GF	8





REF #	PART #	DESCRIPTION	QTY
1	85385	GEARBOX ASSEMBLY	1
2	85205	GEARBOX BOTTOM BRACKET	1
3	31N36	TIGHTENER BRACKET	1
4	31N35	TIGHTENER BAR RH	1
5	31N34	TIGHTENER BAR LH	1
6	31N33	SPRING	1
7	F6	COLLAR FOR SHAFT	1
8	23N215	CLUTCH THROWOUT	1
9	3G19	SNAP RING, INTERNAL, 2.59 X 2.22	1
10	BFR525	BEARING W/LOCK COLLAR	1
11	23N216	HIGH SPEED DRIVE SPROCKET	1
12	10R11	SPROCKET, 13T	1
13	80662	BEARING, 1-1/4	1
14	D68	BUSHING, BRONZE, 1.25 OD X 1 ID X .75 LONG	1
15	23N241	CLUTCH	1



FIGURE 6

BEATER GEARBOX & COMPONENTS

REF #	PART #	DESCRIPTION	QTY
16	23N90	CLUTCH W/SPLINE	1
17	23N89	COMPRESSION SPRING	1
18	37N53	CABLE, 3/16, 212	1
19	ES14	LOOP	1
20	BFR220	CABLE CLAMP, 3/16	1
21	YBTE12005	BOLT TURNED EYE, 3/8 X 1	1
22	23N205	CLUTCH ROD	1
23	23N206	CLUTCH ROD HOLDER	2
24	D57B	BEATER CLUTCH, SHORT	2
25	D57A	BEATER CLUTCH	2
26	23N208	YOKE W/ZERK	2
27	85006	SHIFTER BRACKET	2
28	23N207	SHIFTING SPRING BRACKET	1
29	23N210	SHIFTING ROD	11
30	K103	SPRING, ROPE RETURN SP-10	1
31	YBTE08005	BOLT TURNED EYE, 1/4 X 1	1
32	23N211	SPRING	1
33	YPCT04005	COTTER PIN, 1/8 X 1	1
34	YSFD12005	SET SCREW, SOCKET, FULL DOG PT, 3/8-16 X 3/4	2
35	YSKP10010	SET SCREW, SCKET, KNURLED CUP, 5/16 - 18 X 3/8	3
36	5B10	WOODRUFF KEY, 1/4 X 1	2
37	5B9	WOODRUFF KEY, 3/8 X 1-1/4	1
38	23N209	ROD COLLAR	1
39	G89	STRAIGHT ZERK, 1/4-28	2
40	YWLO08005	WASHER, LOCK, 1/4 ZC	1
41	YWFL12005	WASHER, FLAT, 3/8	2
42	YBHH16010	BOLT HEX, 1/2-13 X 1 G5	4
43	YBFB12125	BOLT FLANGE, 3/8 X 1-1/4 G5	6
44	YBCR12015	BOLT CARRIAGE, 3/8-16 X 1-1/2 G5 ZC	3
45	YBHH12010	BOLT HEX, 3/8 X 1 G5	4
46	YWLO12005	WASHER, LOCK, 3/8	8
47	YNFG12006	NUT FLANGE, 3/8 GF	9
48	YNCO12005	NUT HEX, COUPLING, 3/8-16 X 1-1/8 ZC	1
49	YNHX12005	NUT HEX, 3/8-16 ZC	12
50	YNHX08005	NUT HEX, 1/4-20 ZC	3
51	YBCR12010	BOLT CARRIAGE, 3/8 X 1 G5	4
52	86707	SHIFTER BRACKET SPACER	1
53	YSKP10020	SETSCRW, SCKT, KN CP, 5/16-24 X 3/8 W/NYL PTCH	1







FIGURE 7

APRON GEARBOX & COMPONENTS

REF #	PART #	DESCRIPTION	QTY
1	G122	WORM GEARBOX	1
2	23N95	GEARBOX HOLDER	1
3	86101	SHIELD BRACKET	1
4	23N230	BEARING PANEL	1
5	56025	SHEAR HUB	1
6	56036	SPROCKET BUSHING ASSY.	1
7	23N226	SPROCKET W/BUSHING, 50T A 30T	1
8	23N222	SHEAR PLATE	1
9	23N224	LOW SPEED SHEAR HUB	1
10	X61	CONNECTOR LINK	2
11	23N229	DOG SPRING	1
12	23N93	ROLLER CHAIN, #50, 60P	2
13	80530	PILLOW BLOCK BEARING, 1	2
14	56029	SPACER	1
15	23N227	SNAP RING	1
16	56024	STANDARD EXTERNAL SNAP RING, 1-1/2	1
17	YPCT04005	COTTER PIN, 1/8 X 1	1
18	S138	SQUARE KEY, 3/8 X 2-3/8	1
19	5B10	WOODRUFF KEY, 1/4 X 1	2
20	23N94	WORM BOX SPACER	2
21	YSKP10010	SET SCREW, SCKT, KNURLED CUP, 5/16 - 18 X 3/8	2
22	YBHH16030	BOLT HEX, 1/2-13 X 1-1/2 G5	2
23	YBHH16010	BOLT HEX, 1/2-13 X 1 G5	3
24	YBHH08035	BOLT HEX, 1/4-20 X 1-1/4 G5	4
25	YBFB10125	BOLT FLANGE, 5/16 X 1-1/4 G5	3
26	YBCR10020	BOLT CARRIAGE, 5/16-18 X 1-1/4 G5 ZC	3
27	YBFB12003	BOLT FLANGE, 3/8 X 1 G5	6
28	YNTL08005	NUT HEX, 1/4-20 LKTL ZC	4
29	YNFG10005	NUT FLANGE, 5/16 GF	6
30	YNFG12006	NUT FLANGE, 3/8 GF	8
31	YWLO16005	WASHER, LOCK, 1/2	3
32	YWFL16005	WASHER, FLAT, 1/2	1
33	23N221	BEARING W/SET SCREWS, 1	2
34	YBCR12010	BOLT CARRIAGE, 3/8 X 1 G5	2
35	96463	COVER PLATE	1



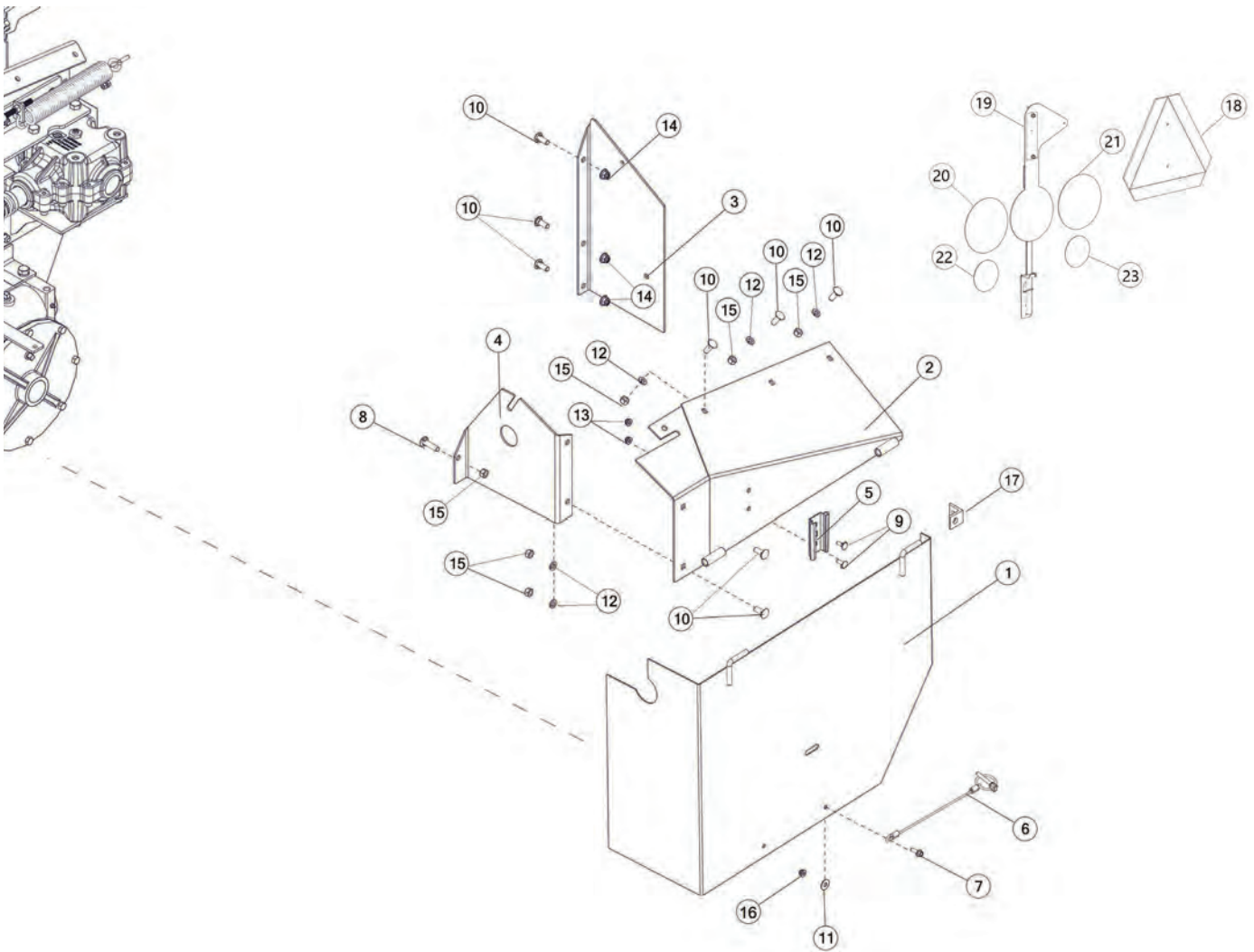
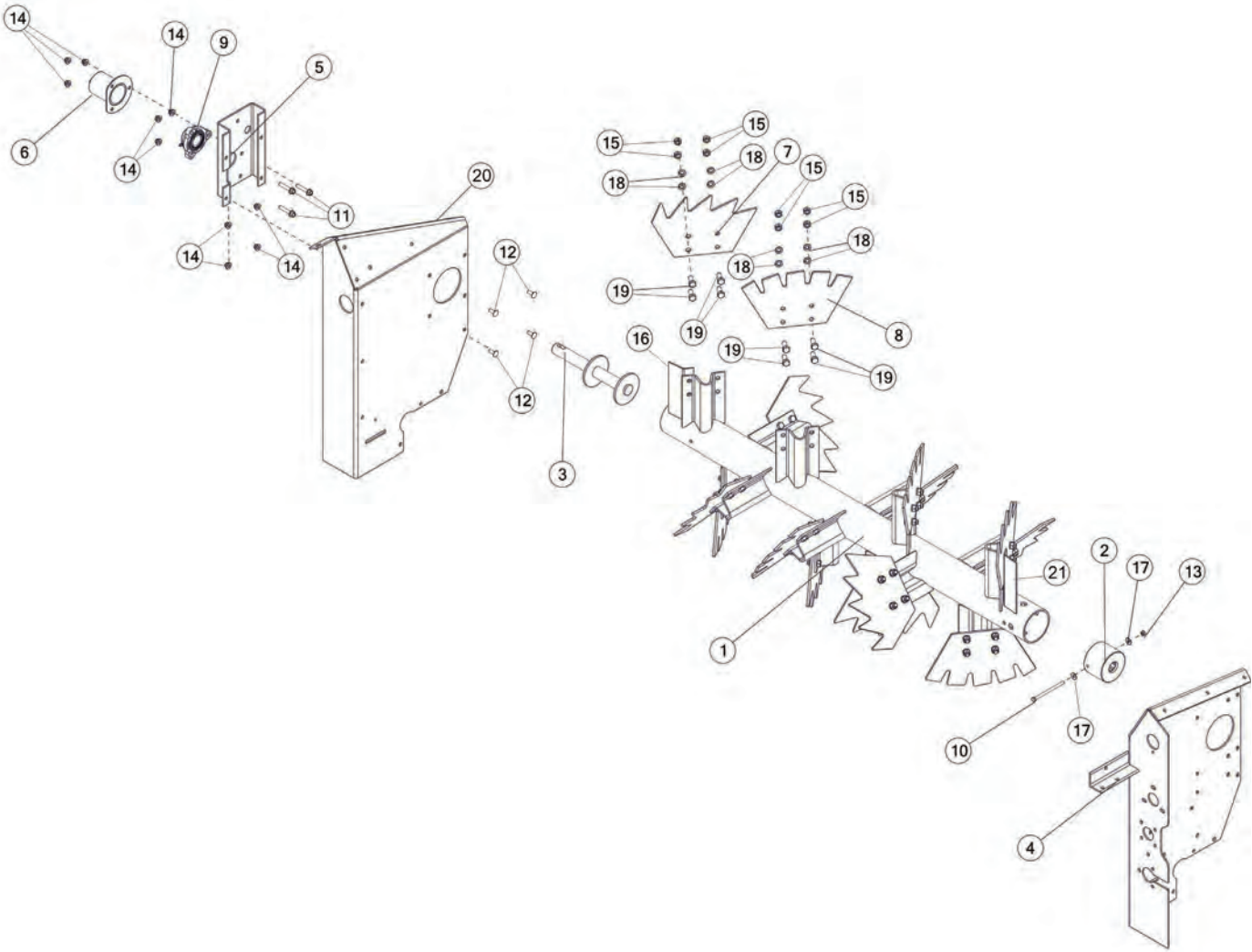
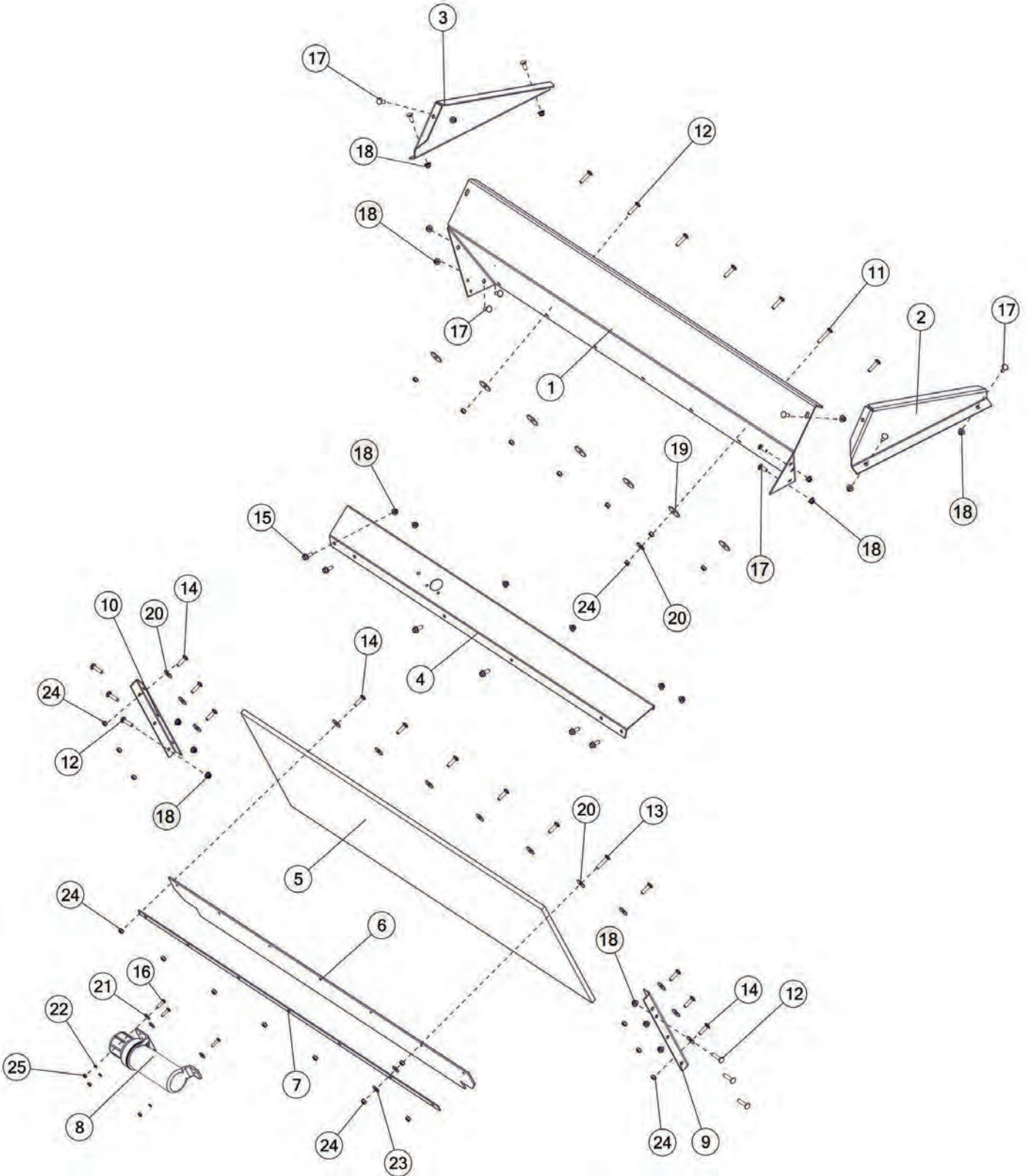
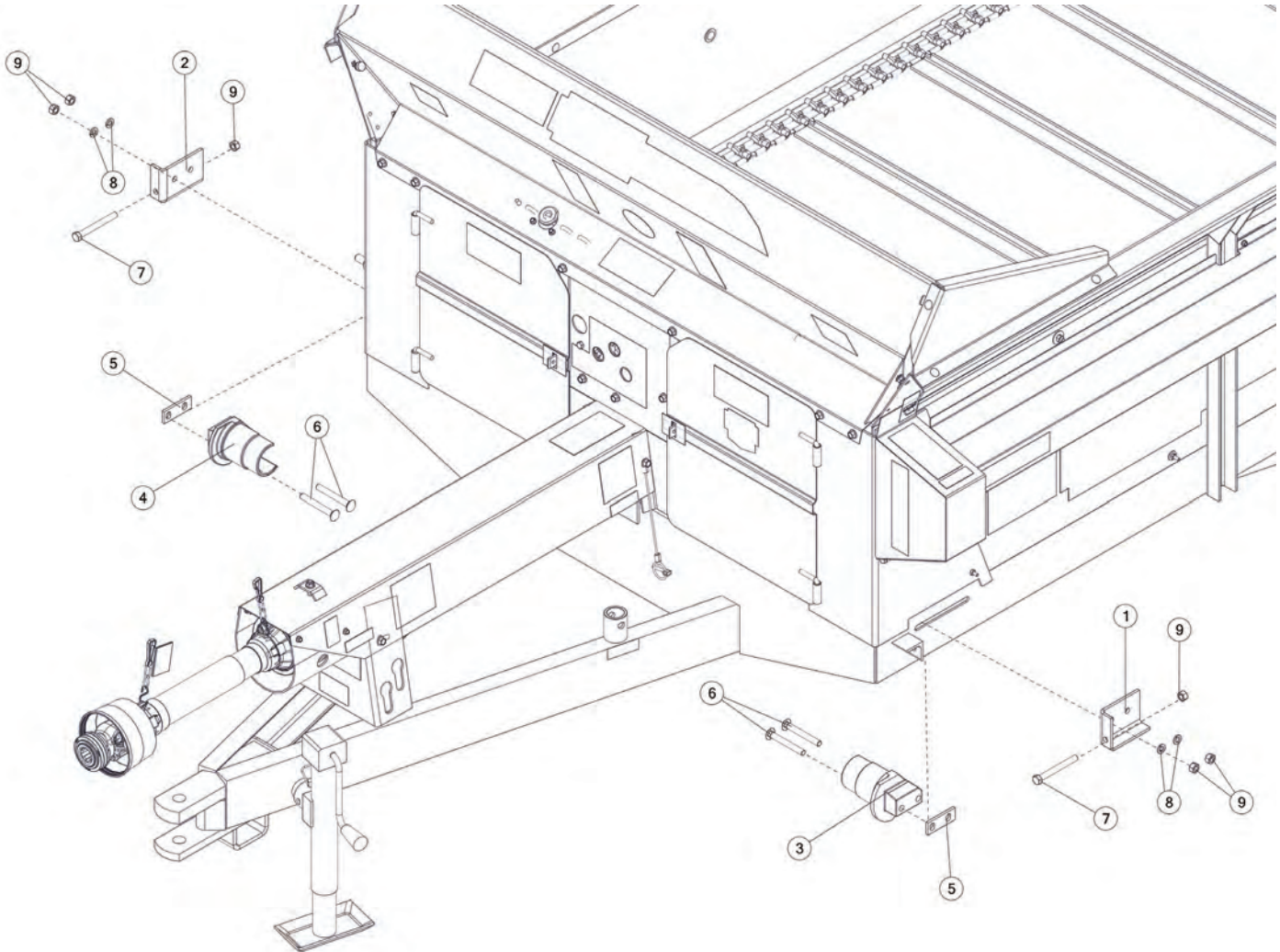




FIGURE 9 BOTTOM BEATER & COMPONENTS





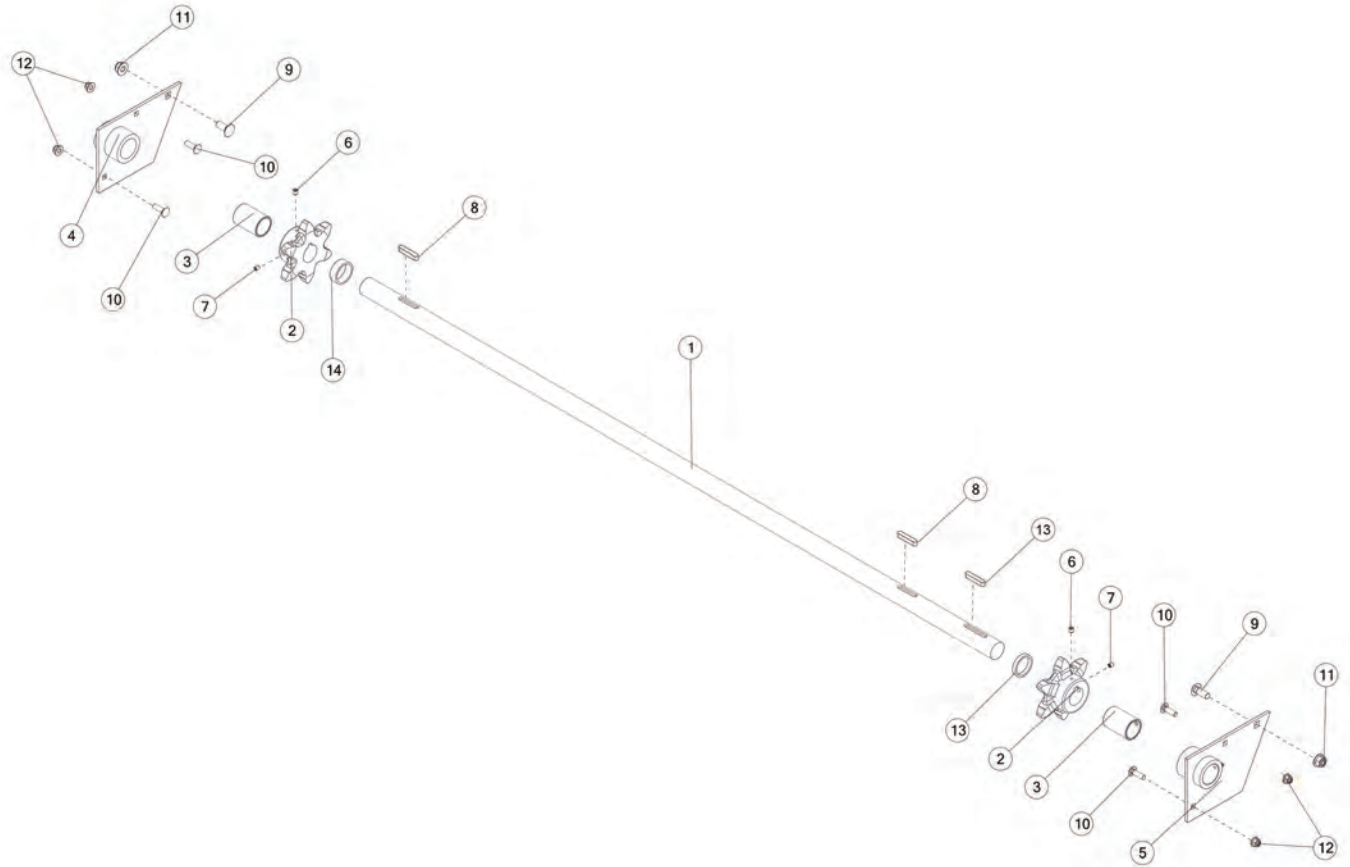


REF #	PART #	DESCRIPTION	QTY
1	A29	FRAME WASHER LH	1
2	A30	FRAME WASHER RH	1
3	23N127	T-ROD SLIDE LH	1
4	23N128	T-ROD SLIDE RH	1
5	23N126	APRON CHAIN TIGHTENER	2
6	YBCR16045	BOLT CARRIAGE, 1/2-13 X 4 G5 ZC	4
7	YBHH16145	BOLT HEX, 1/2 X 4-1/2 G5 FULL THREAD	2
8	YWLO16005	WASHER, LOCK, 1/2	4
9	YNHX16005	NUT HEX, 1/2-13 ZC	6



FIGURE 12

DRIVE SHAFT & COMPONENTS



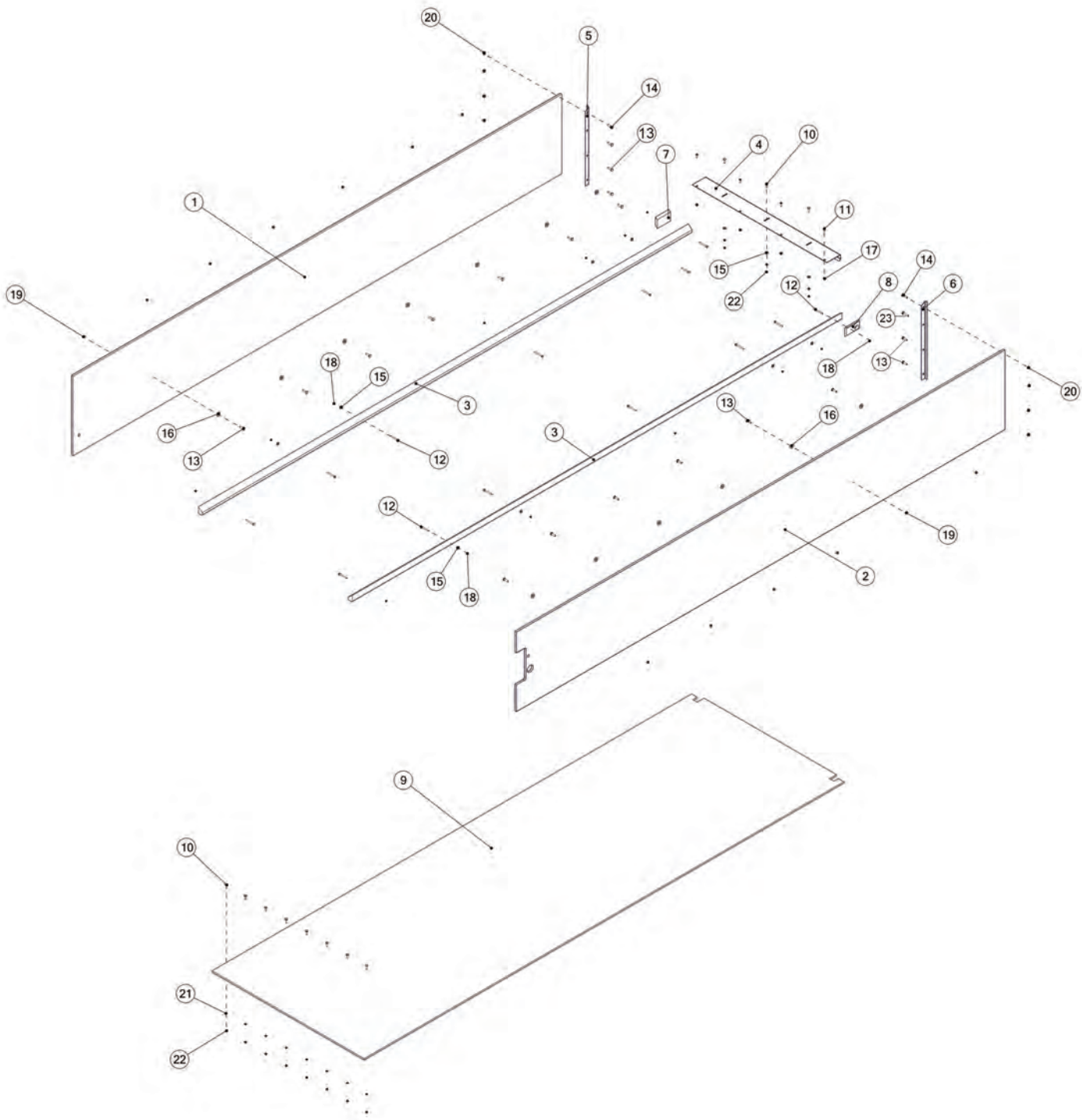
REF #	PART #	DESCRIPTION	QTY
1	27N19	DRIVESHAFT	1
2	23N122	DRIVE SPROCKET, 6T	2
3	23N17	BUSHING, DRIVE SHAFT	2
4	23N19	DRIVE SHAFT BRACKET W/BUSHING RH	1
5	37N78	DRIVE SHAFT BRACKET W/BUSHING LH	1
6	YSKP12025	SET SCREW, SCKT, KNURLED CUP PT, 3/8-16 X 3/8	2
7	YSKP10010	SET SCREW, SCKT, KNURLED CUP PT, 5/16-18 X 3/8	2
8	PB136	SQUARE KEY, 3/8 X 2	2
9	YBCR16015	BOLT CARRIAGE, 1/2-13 X 1-1/4 G5 ZC	2
10	YBCR12020	BOLT CARRIAGE, 3/8-16 X 1-1/4 G5 ZC	4
11	YNFG16003	NUT FLANGE, 1/2 GF	2
12	YNFG12006	NUT FLANGE, 3/8 GF	4
13	S138	SQUARE KEY, 3/8 X 2-3/8	1

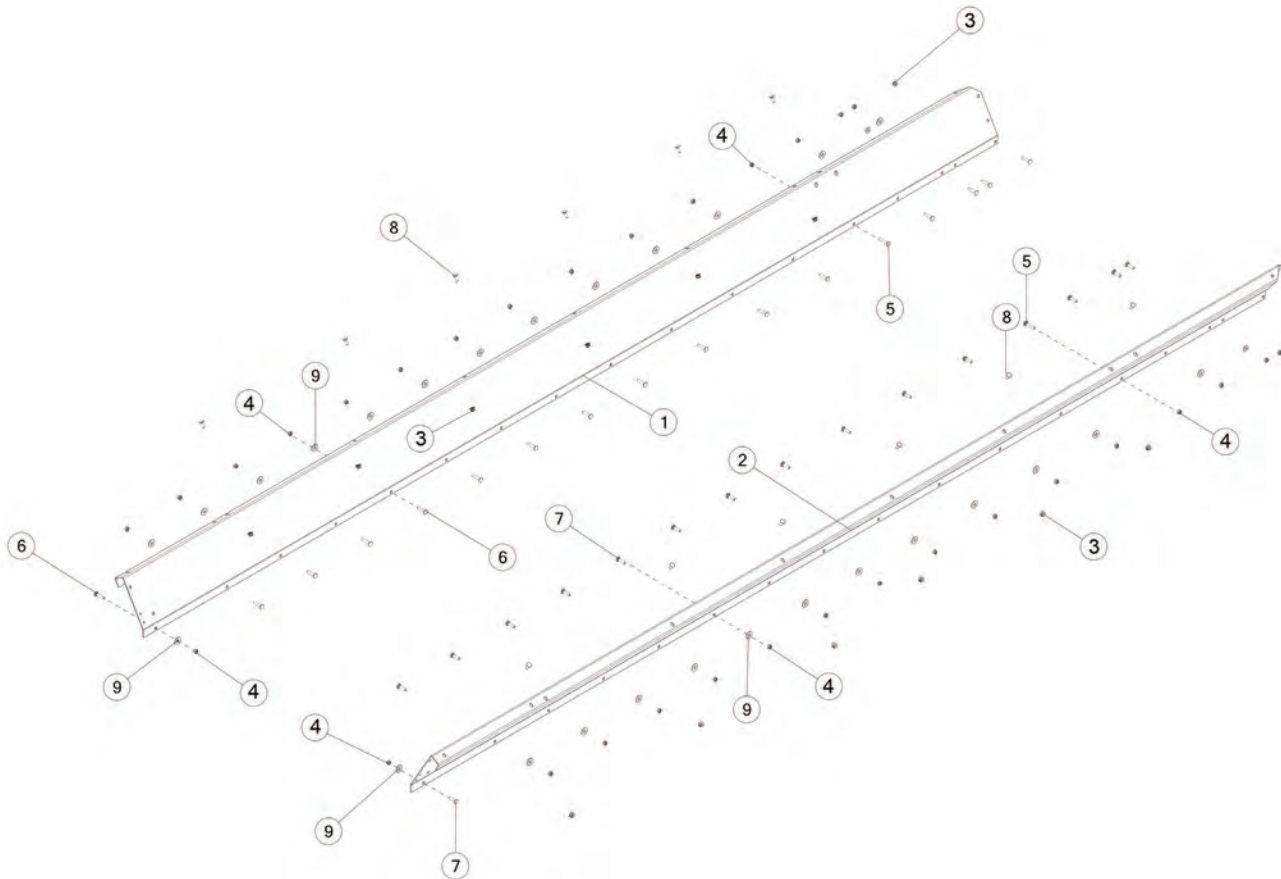




FIGURE 13

FLOOR, SIDE PANELS & COMPONENTS

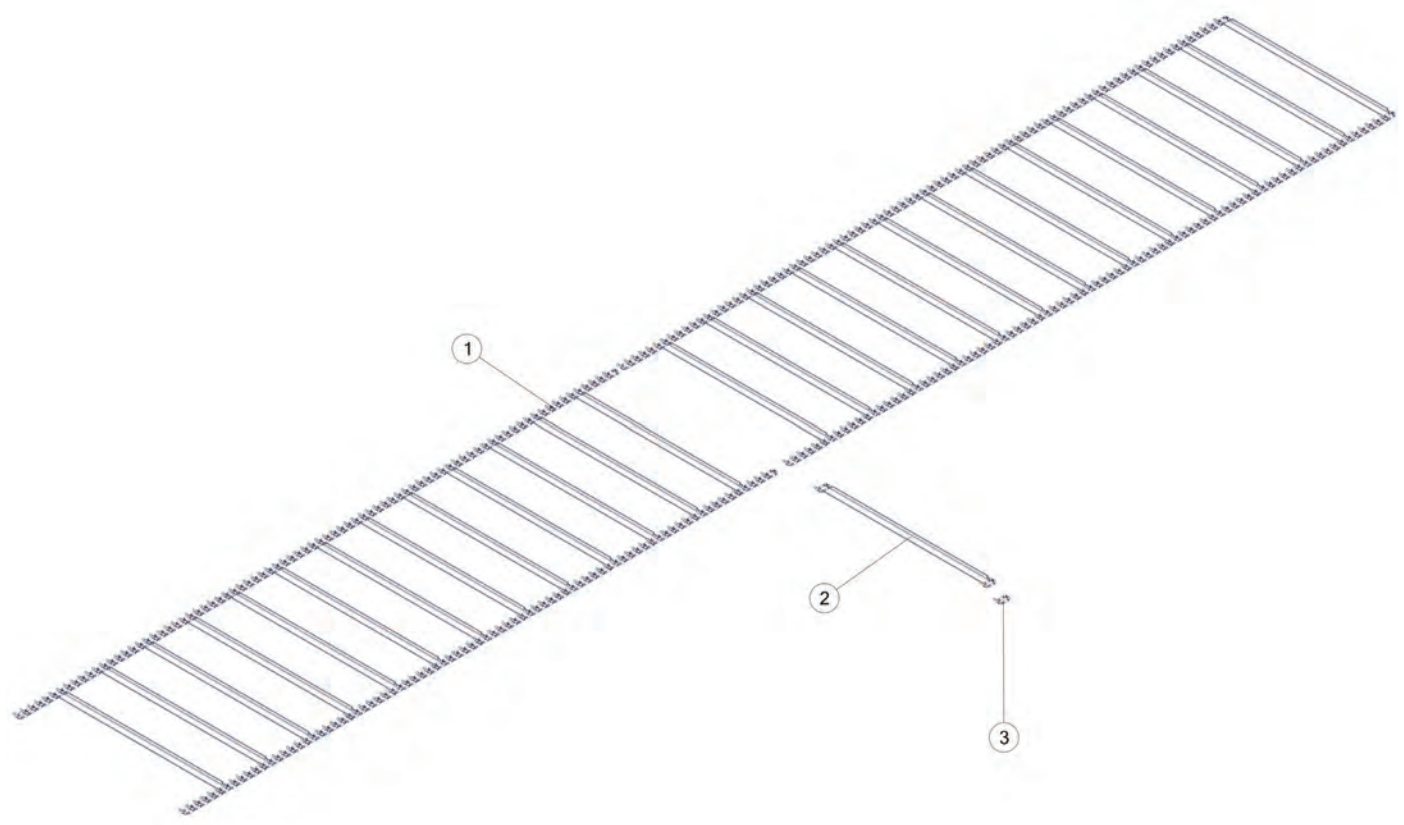




REF #	PART #	DESCRIPTION	QTY
1	43N3	SIDE FLARE RH	1
2	43N4	SIDE FLARE LH	1
3	YNFG12006	NUT FLANGE, 3/8 GF	12
4	YNHX12005	NUT HEX, 3/8-16 NAA ZC	32
5	YBCR12035	BOLT CARRIAGE, 3/8-16 X 2 G5 ZC	2
6	YBCR12030	BOLT CARRIAGE, 3/8-16 X 1-3/4 G5 ZC	16
7	YBCR12015	BOLT CARRIAGE, 3/8-16 X 1-1/2 G5 ZC	16
8	YBCR12010	BOLT CARRIAGE, 3/8-16 X 1 G5 ZC	12
9	YWFL14005	WASHER, FLAT, 7/16 ZC	32



FIGURE 15
APRON CHAIN



REF #	PART #	DESCRIPTION	QTY
1	37N42	APRON CHAIN 28 SLATS, 274 LINKS	1
2	23N124	SLAT W/ATTACHMENT LINKS	28
3	S55	T-ROD STANDARD LINK	274





FIGURE 16
HYDRAULIC ENDGATE ASSEMBLY

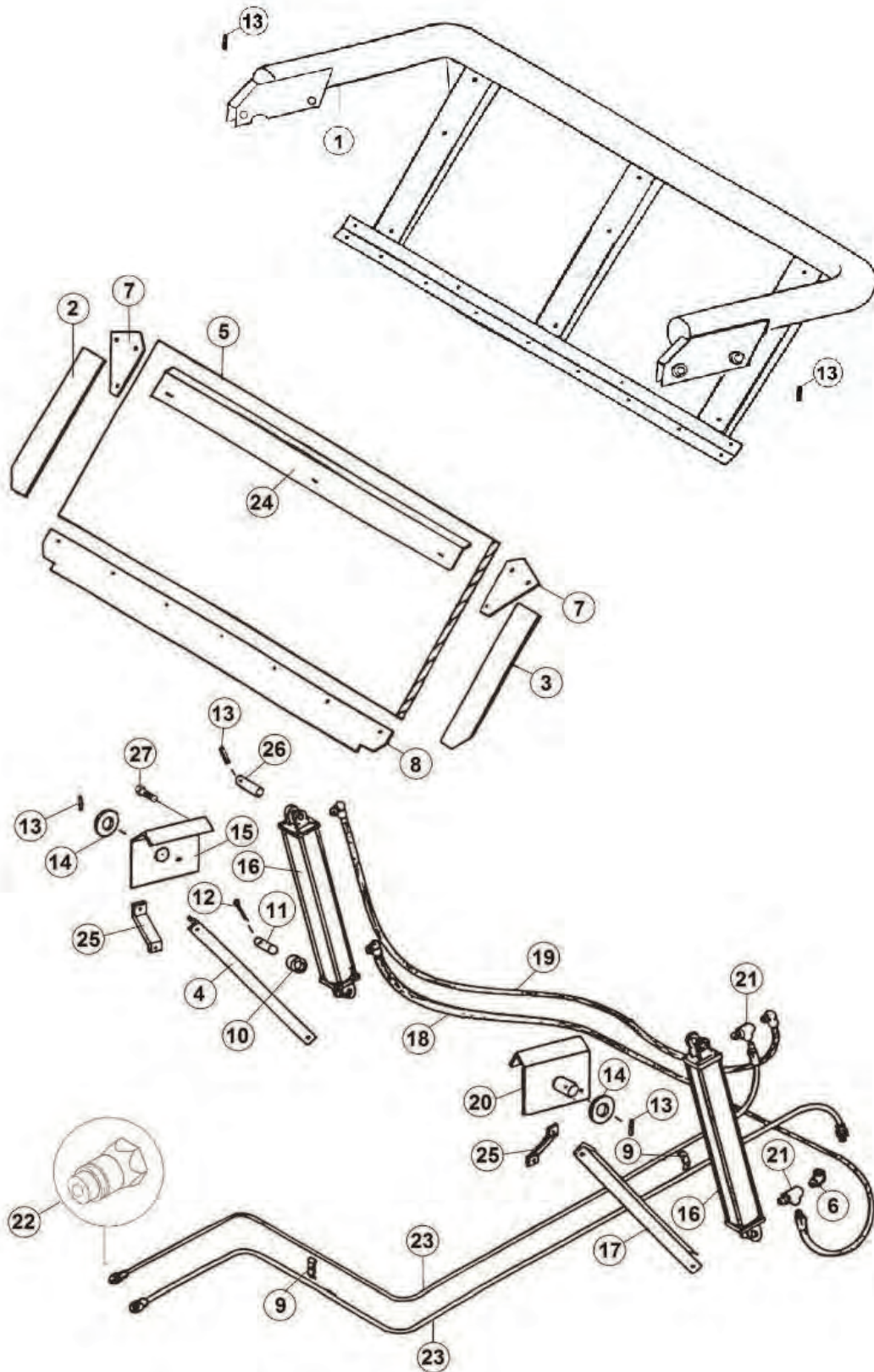


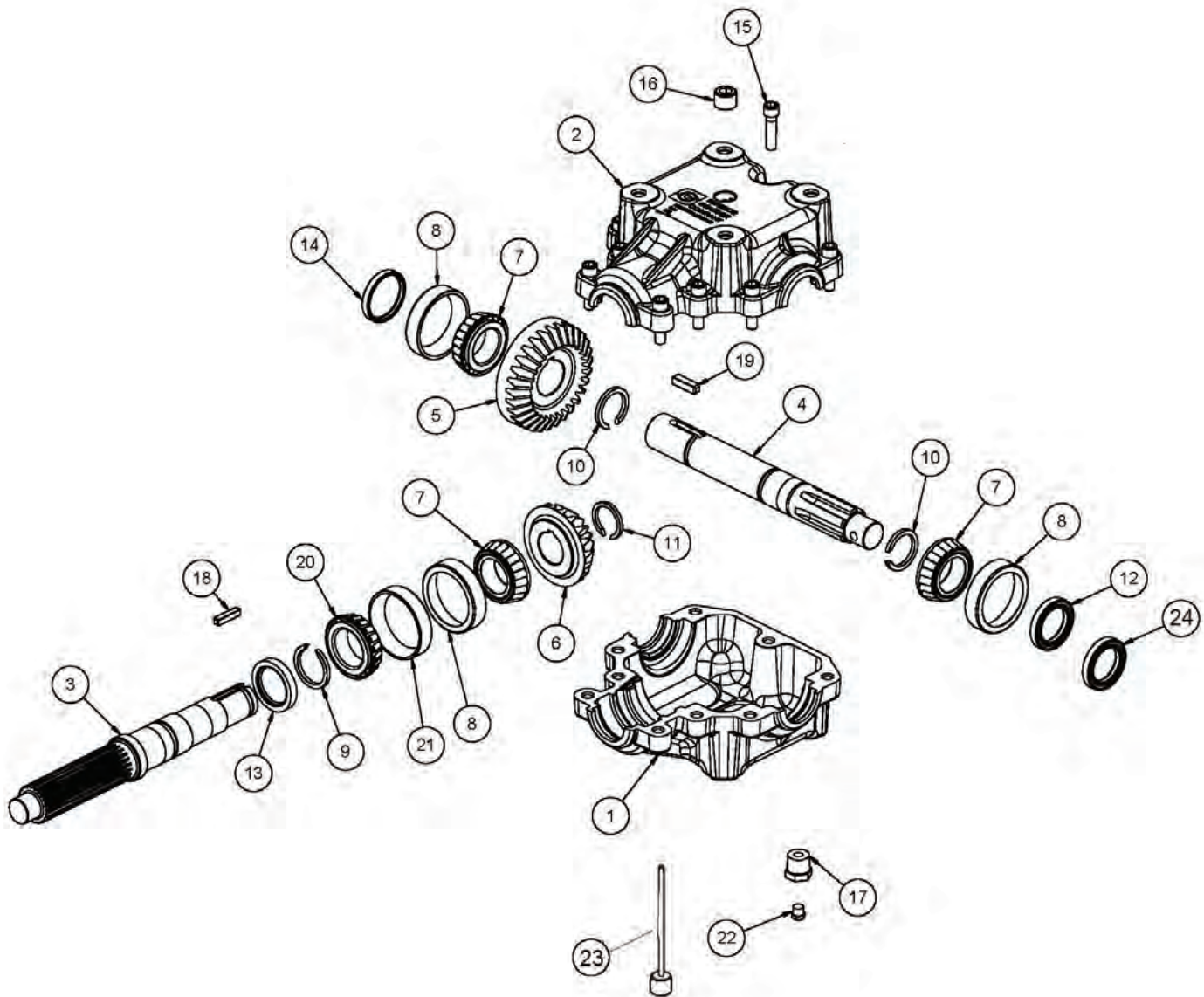


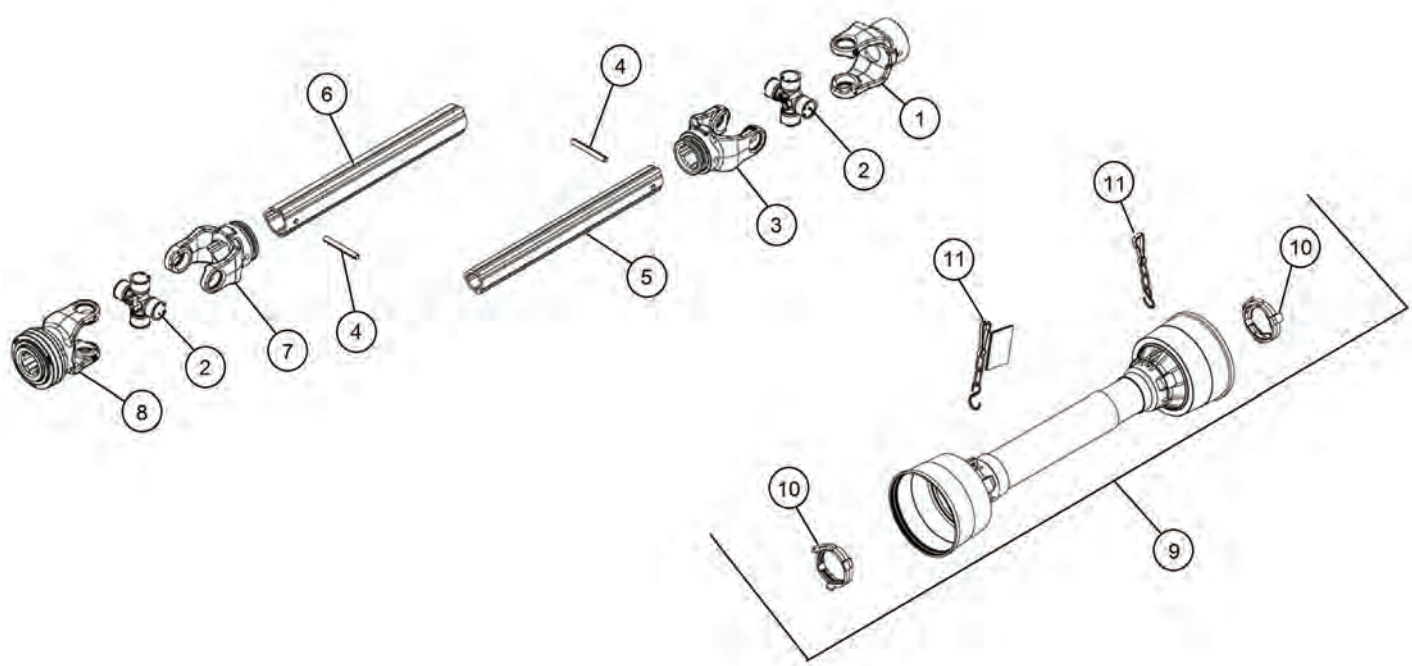
FIGURE 16

HYDRAULIC ENDGATE ASSEMBLY

REF #	PART #	DESCRIPTION	QTY
1	37N34	TAILGATE FRAME	1
*	YBCR12010	BOLT CARRIAGE, 3/8 X 1 G5	2
*	YBCR12095	BOLT CARRIAGE, 3/8 X 4 G5	9
*	YBCR12020	BOLT CARRIAGE, 3/8 X 1-1/4 G5	7
*	YBCR12015	BOLT CARRIAGE, 3/8 X 1-1/2 G5	16
*	YWFL12005	WASHER, FLAT, 3/8	32
*	YWFL16005	WASHER, FLAT, 3/8	17
*	YNHX12005	NUT HEX, 3/8	34
*	37N88	TAILGATE RUBBER HOLDER	2
2	37N35	SIDE RUBBER RH	1
3	37N36	SIDE RUBBER LH	1
4	37N62	TAILGATE BRACKET BRACE RH	1
5	37N69A	TAILGATE PLYWOOD W/FIBERGLASS	1
6	58127	FITTING, 6 C6X-S	1
7	23N104	TAILGATE CORNER	2
8	23N105	BOTTOM RUBBER	1
9	23N67	FRONT HOSE BRACKET	2
10	K132	SPACER, 3/8	1
11	23N107	CYLINDER PIN	1
12	YPCT07005	COTTER PIN, 7/32 X 2	1
13	YPEX10015	EXPANSION PIN, 5/16 X 1-3/4	4
14	23N109	TAILGATE WASHER	2
15	23N110	TAILGATE MOUNT RH	1
16	69969	HYD CYL 2 X 16 W/PINS 90 DEGREE TO PORTS	2
17	37N59	TAILGATE BRACE LH	1
18	93199	HYDRAULIC HOSE 6 X 110	1
19	93200	HYDRAULIC HOSE 6 X 150	1
20	23N115	TAILGATE MOUNT LH	1
21	84276	FITING TEE, 6JIC, 6ORB, 6JIC	2
22	67148	QUICK COUPLER	2
23	93205	HYD HOSE, 6 X 328	2
24	23N163	TAILGATE POLY HOLD DOWN	1
25	23N232	TAILGATE BRACKET BRACE	2
26	23N301	CYLINDER PIN	1
27	YBCR16021	BOLT CARRIAGE, 1/2 X 1-3/4	1







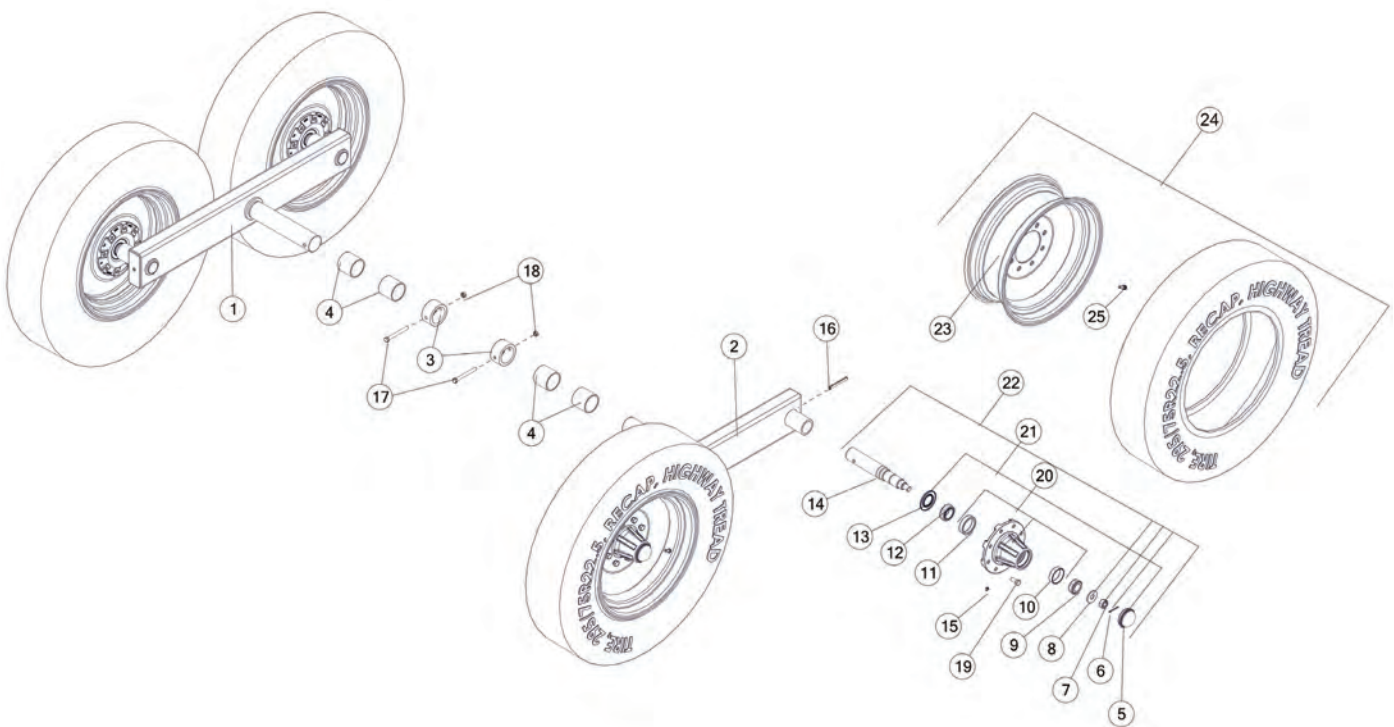




FIGURE 21
MSOPTO1038 OPTION
1000 RPM PTO

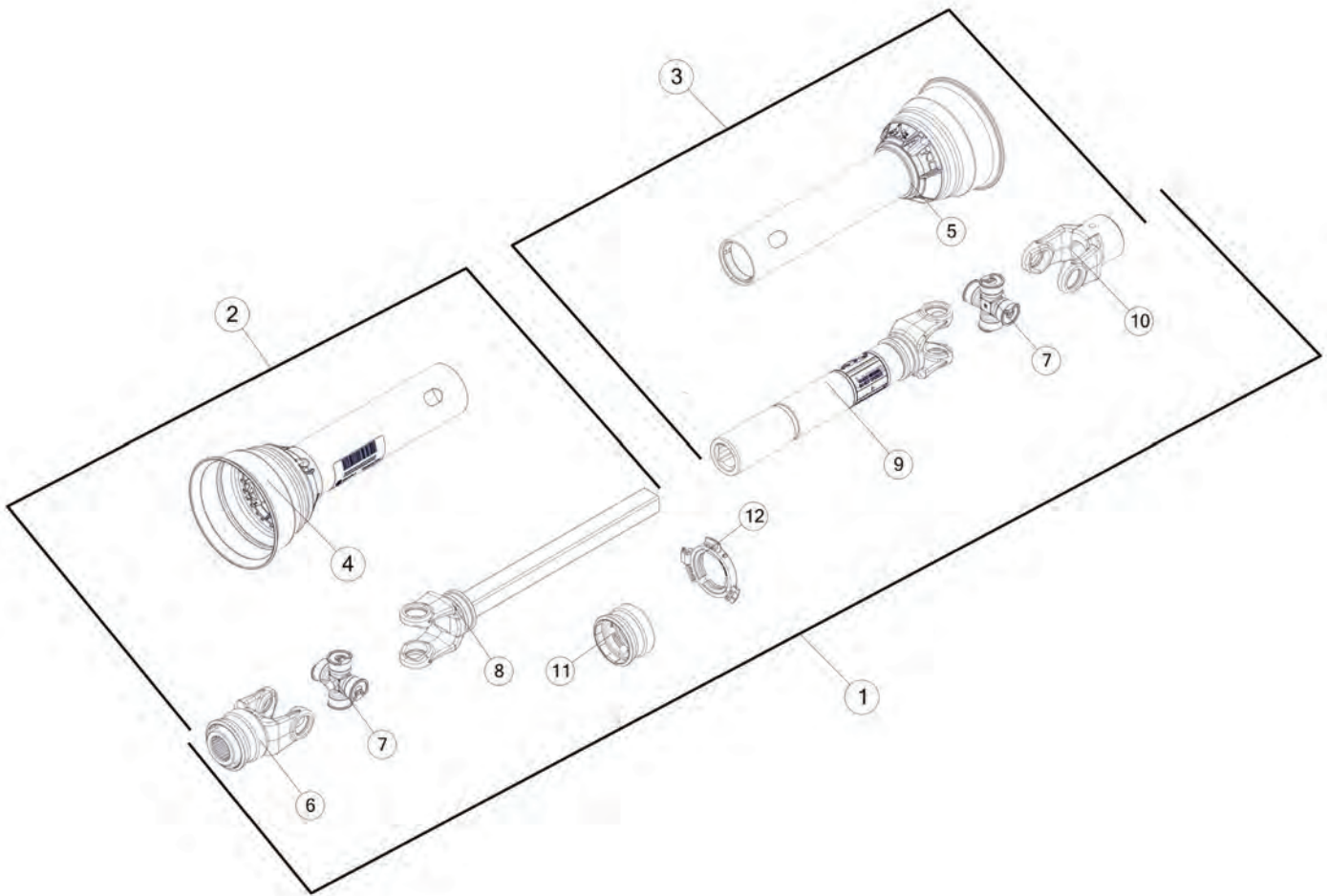




FIGURE 22

OPTIONAL
TOP BEATER

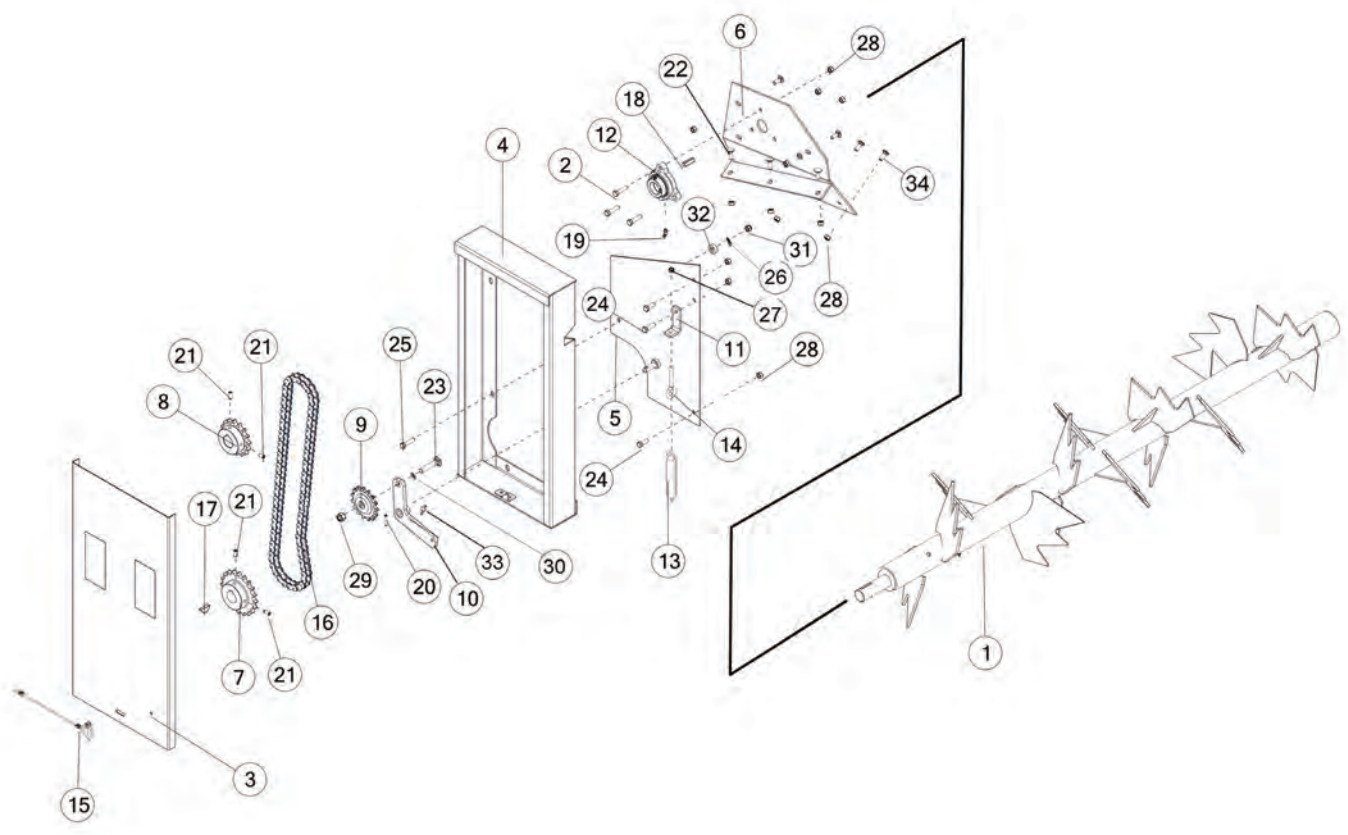




FIGURE 22

OPTIONAL TOP BEATER

REF #	PART #	DESCRIPTION	QTY
1	97944	SECOND BEATER	1
2	YBCR12015	BOLT CARRIAGE, 3/8-16 X 1-1/2 G5	3
3	80709B	BEATER SHIELD COVER W/DECALS	1
4	80714B	BEATER SHIELD W/DECALS	1
5	80708B	BACK SHIELD W/DECALS	1
6	80718	BEATER PANEL, RH	1
7	80898	SPROCKET, 20T	1
8	D23	SPROCKET, 16T	1
9	12N42	IDLER SPROCKET,15T	1
10	80728	SPRING TENSIONER ARM	1
11	80152	SPRING TENSIONER BRACKET	1
12	80725	BEATER BEARING	1
13	ST36	TENSION SPRING	1
14	YBTE10039	BOLT TURNED EYE, 5/16 X 4	1
15	S122	LANYARD CLIP PIN CABLE	1
16	37N49	ROLLER CHAIN #60	1
17	5B9	KEY	1
18	A32	SQUARE KEY	1
19	RG21	GREASE ZERK, 45 DEGREE	1
20	YPEX08010	EXPANSION PIN, 1/4 X 1-1/4	1
21	YSKP12035	SETSCREW, 3/8 X 3/4	4
22	YBCR12010	BOLT CARRIAGE, 3/8 X 1 G5	3
23	YBCR16025	BOLT CARRIAGE, 1/2 X 2-1/2 G2	1
24	YBFB12003	BOLT FLANGE, 3/8 X 1 G5	3
25	YBFB12150	BOLT FLANGE, 3/8 X 1-1/2 G5	4
26	YWFL12005	WASHER FLAT, 3/8	5
27	YNFG10005	NUT FLANGE, 5/16 GF	1
28	YNFG12006	NUT FLANGE, 3/8 GF	12
29	YNFG16003	NUT FLANGE, 1/2 GF	1
30	YWFL14005	WASHER FLAT, 7/16	4
31	YNNY12005	NUT HEX, 3/8 LKNY G2	1
32	S246	SPACER	1
33	G89	STRAIGHT ZERK, 1/4-28 X 90	1
34	YBCR12020	BOLT CARRIAGE, 3/8 X 1-1/4 G5	3





FIGURE 22
OPTIONAL
TOP BEATER

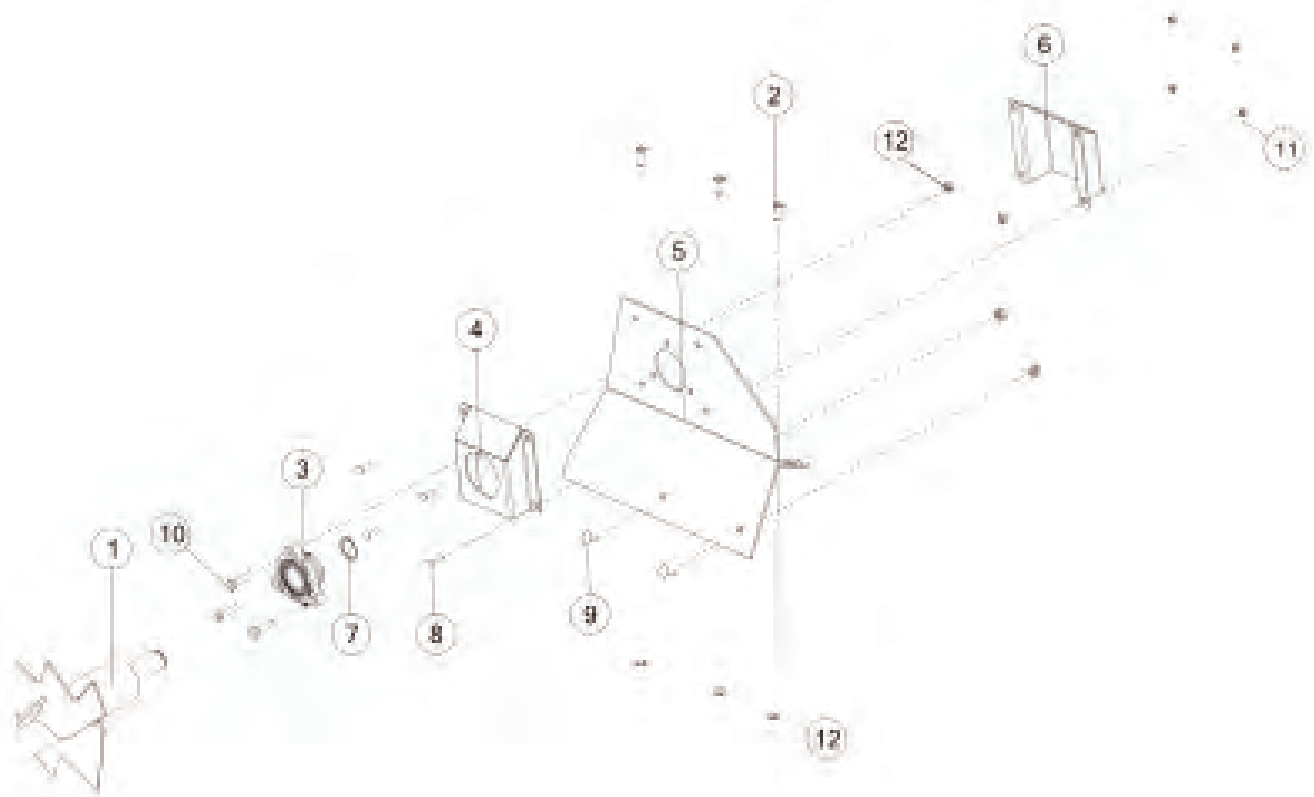




FIGURE 23

MSOPAN310 OPTION
REAR PAN

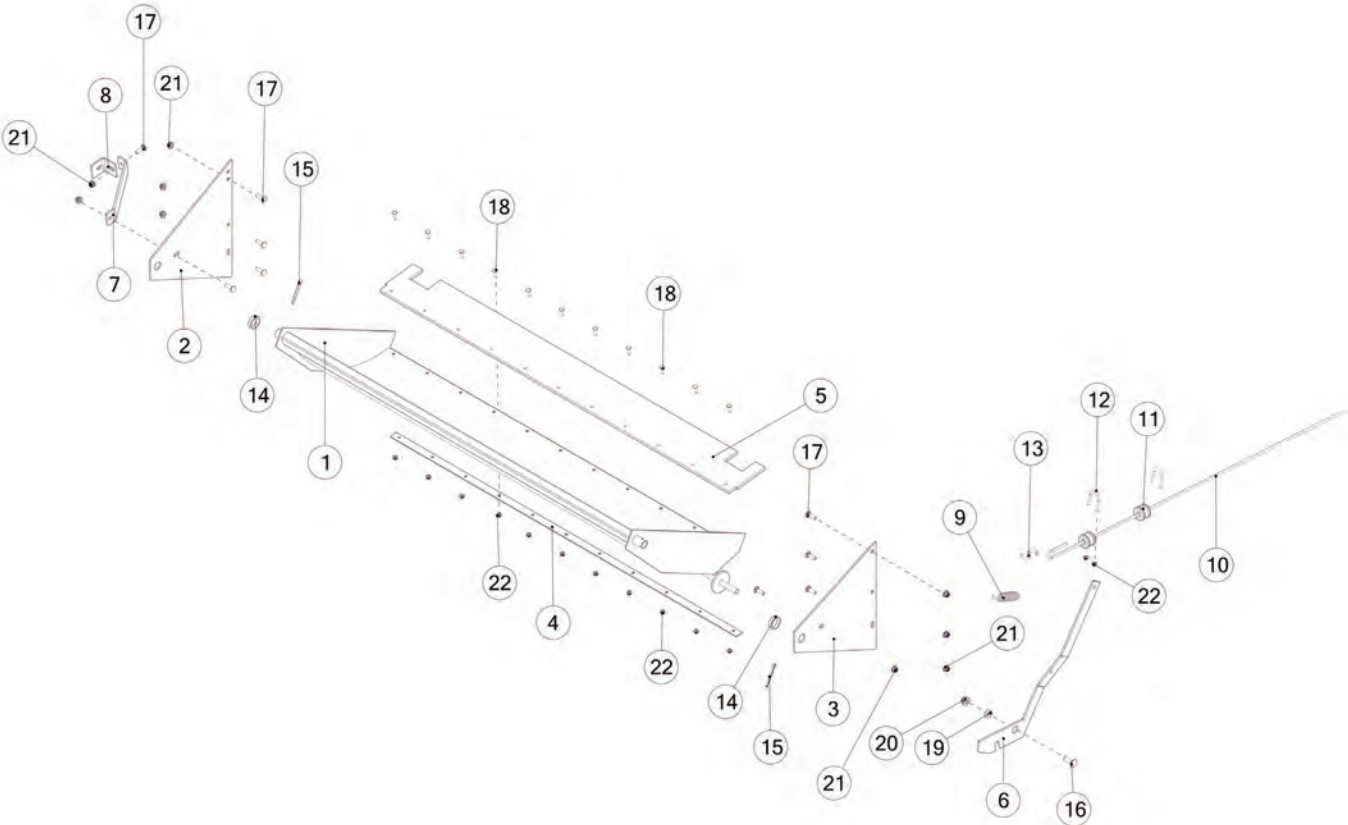




FIGURE 24

MSO310HD4 OPTION
HYDRAULIC DRIVE KIT - 4 HOSE

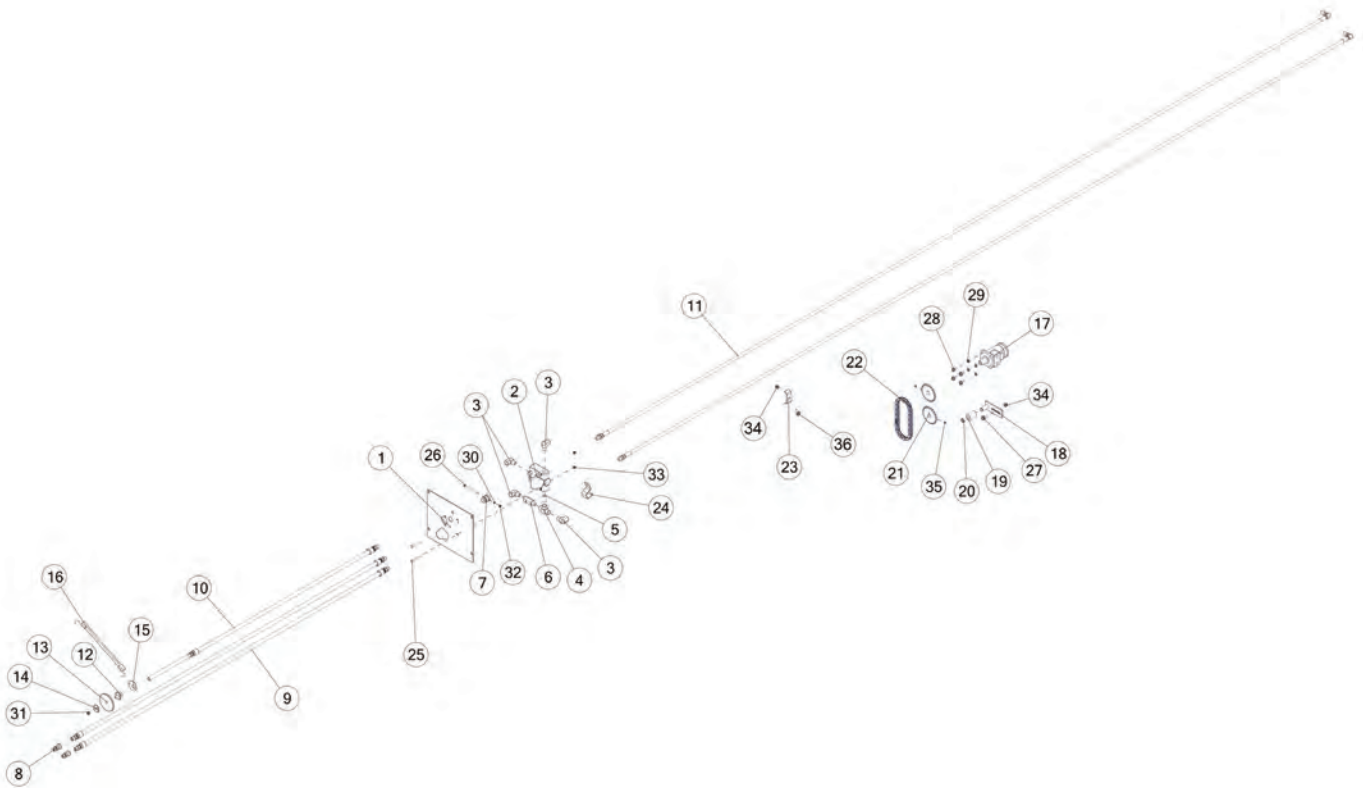




FIGURE 24
MSO310HD4 OPTION
HYDRAULIC DRIVE KIT - 4 HOSE

REF #	PART #	DESCRIPTION	QTY
1	23N133	HYDRAULIC CONTROL PANEL	1
2	DF15	SPEED CONTROL VALVE, NON-ADJUSTABLE	1
3	HE58	FITTING 90, 1/2NPT, 1/2NPT	4
4	DF8	FITTING TEE, 1/2NPT, 1/2NPT, 1/2NPT	1
5	DF7	FIT STRAIGHT, 1/2NPT, 1/2NPT	1
6	DF18	CHECK VALVE, 1/2	1
7	DF21	REDUCER	1
8	DWM205	MALE QUICK COUPLER S71-4P HYD TIP	2
9	23N309	HYDRAULIC HOSE, 8, 96	2
10	DF9	HYDRAULIC HOSE, 8, 72	1
11	77330	HYDRAULIC HOSE, 6, 224	2
12	DF10	HANDLE BRACKET	1
13	DF11	CONTROL HANDLE	1
14	DF12	WASHER	1
15	DF22	RING	1
16	DF14	STRAP	1
17	DF1	HYDRAULIC MOTOR	1
18	L10R35	TIGHTENER BRACKET	1
19	23N238	CHAIN TIGHTENER ROLLER	1
20	10R32	SNAP RING, EXTERNAL, .7	1
21	11S19	SPROCKET, 50B20, 1 ID	2
22	23N131	ROLLER CHAIN, #50, 40P	1
23	HE42	HOSE BRACKET	1
24	HE14	SMALL PIPE BRACKET	1
25	YBCR08025	BOLT CARRIAGE, 1/4-20 X 2-1/2 G5 ZC	2
26	YBHH08115	BOLT HEX, 1/4 X 4 G5	1
27	YBFB12003	BOLT FLANGE, 3/8 X 1 G5	1
28	YBFB12075	BOLT FLANGE, 3/8 X 3/4 G5	4
29	YWLO12005	WASHER, LOCK, 3/8	4
30	YWLO08005	WASHER, LOCK, 1/4, ZC	1
31	YNTL12005	NUT HEX, 3/8-16 LKTL ZC	1
32	YNHX08005	NUT HEX, 1/4-20 ZC	1
33	YNFG08010	NUT FLANGE, 1/4 GF	2
34	YNFG12006	NUT FLANGE, 3/8 GF	2
35	YSKP10010	SET SCRW, SCKT, KNURLED CUP PT, 5/16 - 18 X 3/8	2
36	YBCR12225	BOLT FLANGE, 3/8 X 2-1/4 G5	1





FIGURE 25

MSO310HD4EC OPTION
HYD DRIVE KIT - 4 HOSE W/ELEC CONTROL

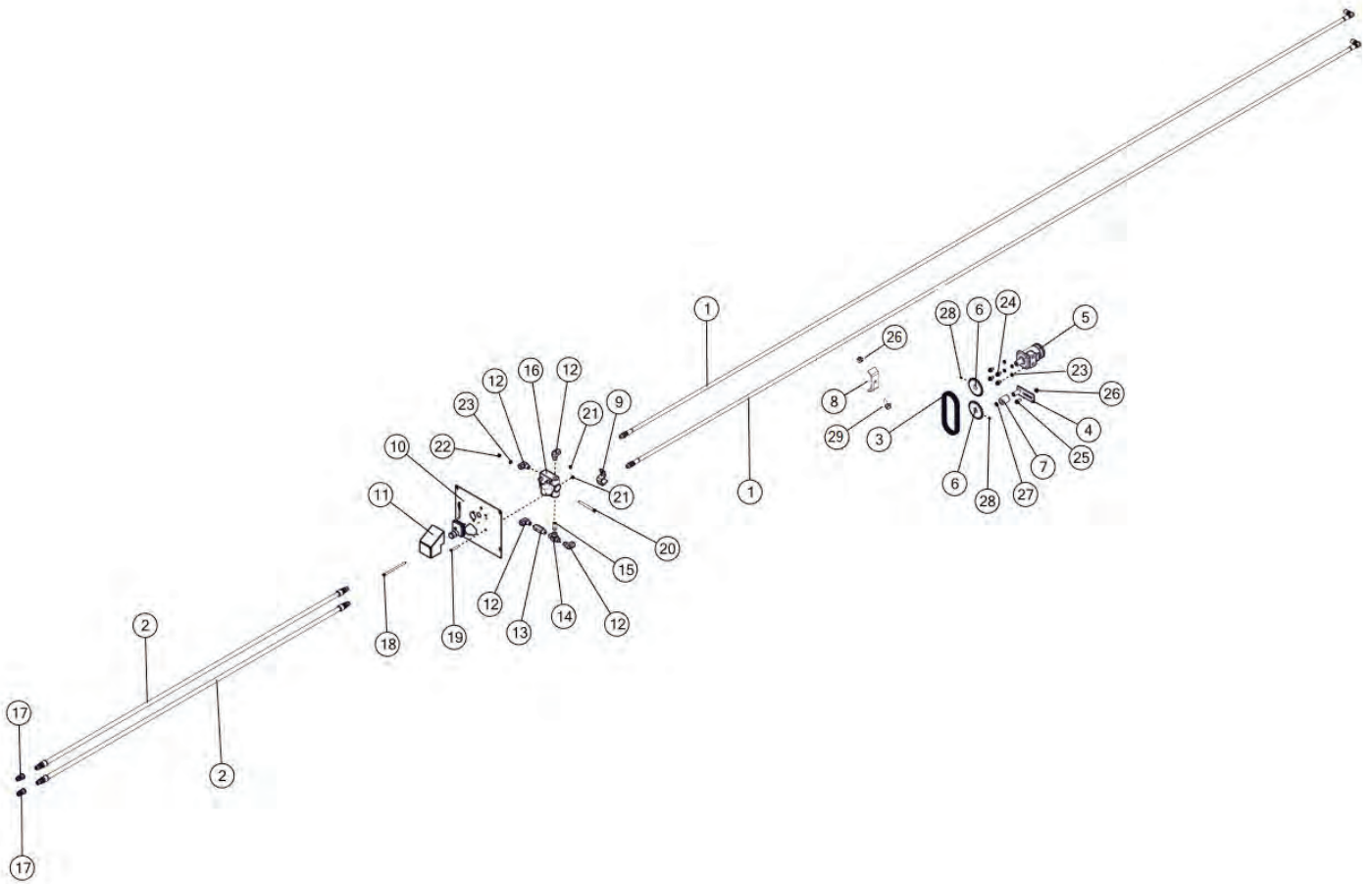




FIGURE 26
MSO-EC OPTION
ELEC CONTROLS - HYD DRIVE

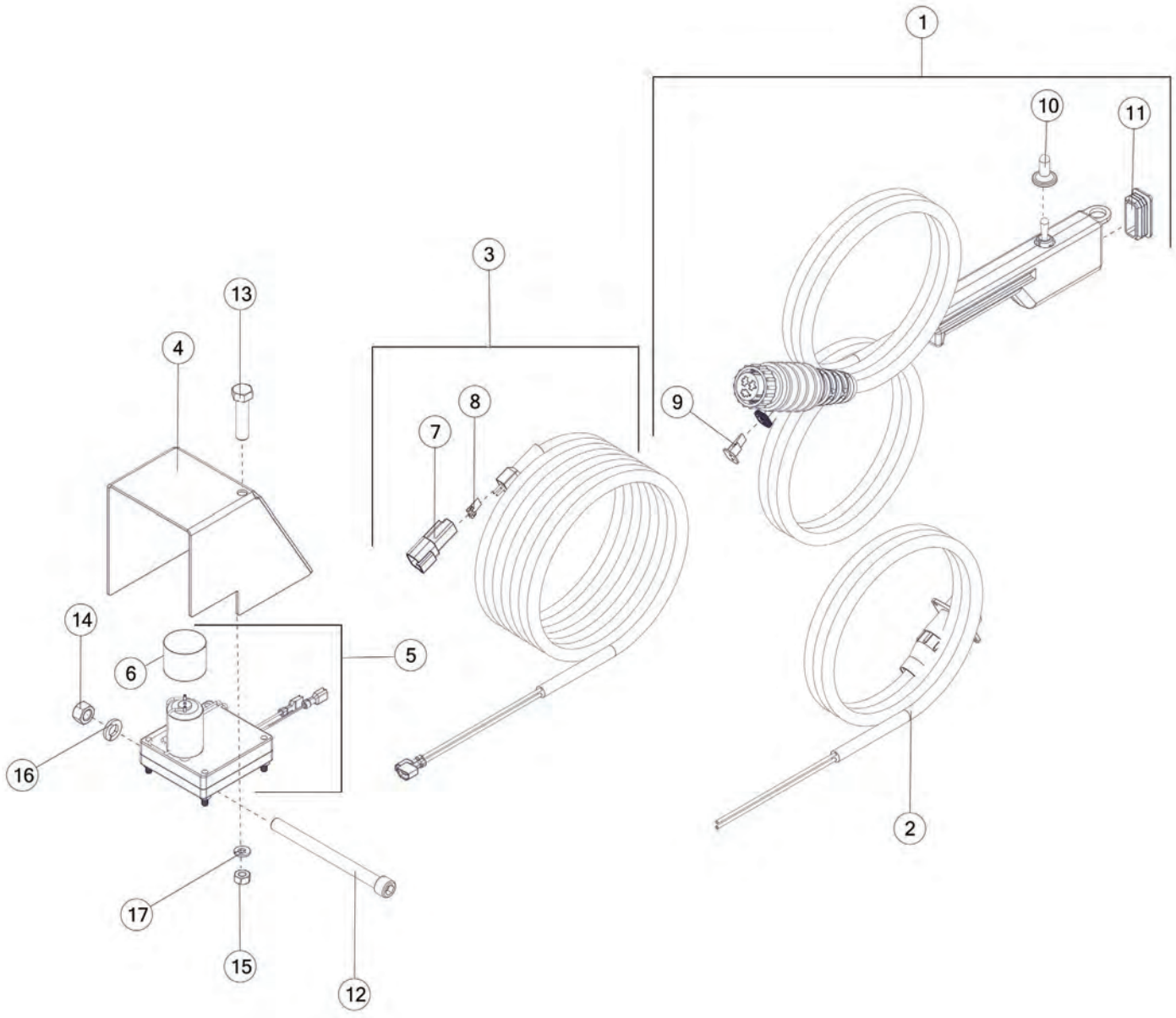




FIGURE 27

MSOLIGHT OPTION

HIGHWAY LIGHTING KIT

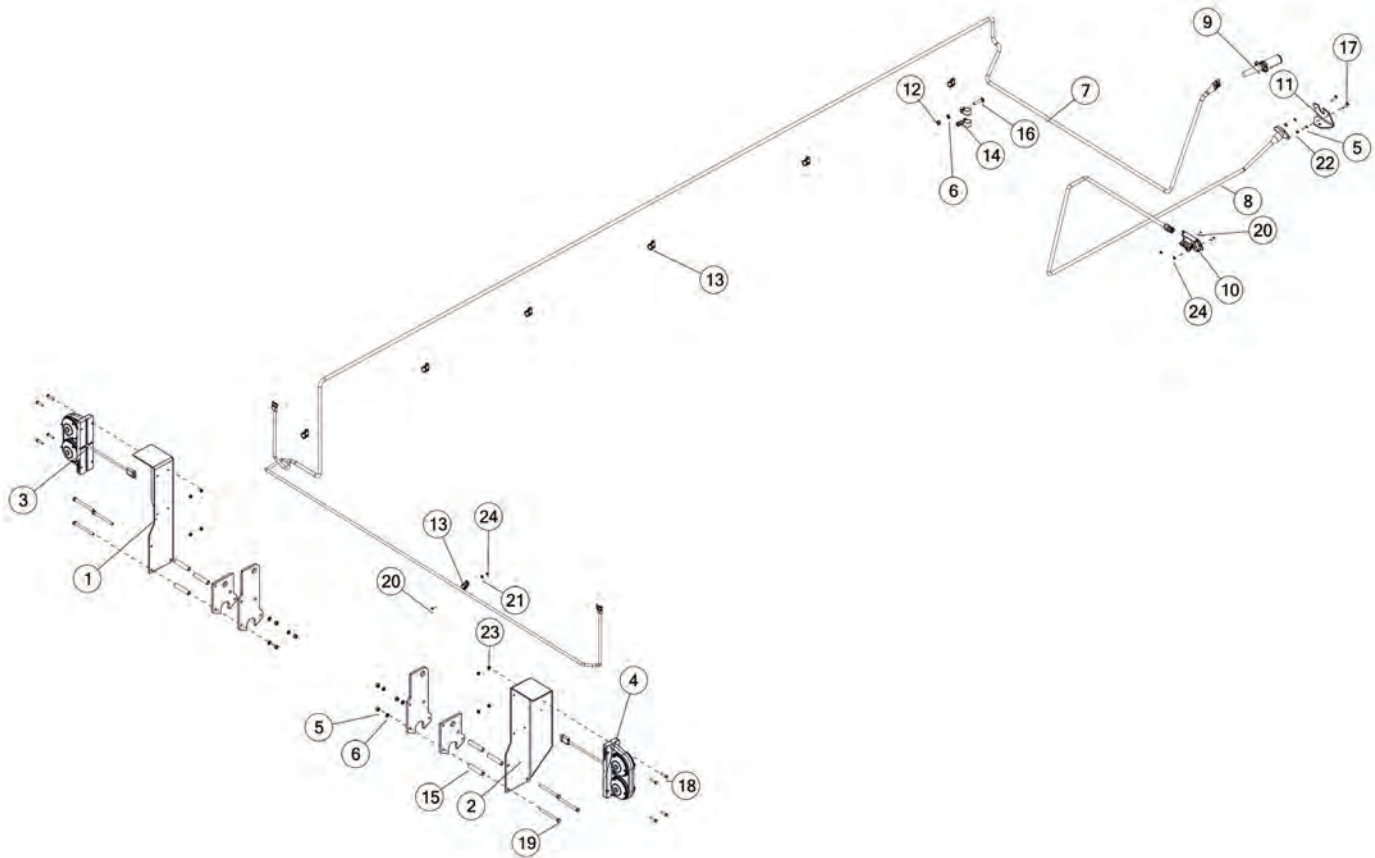
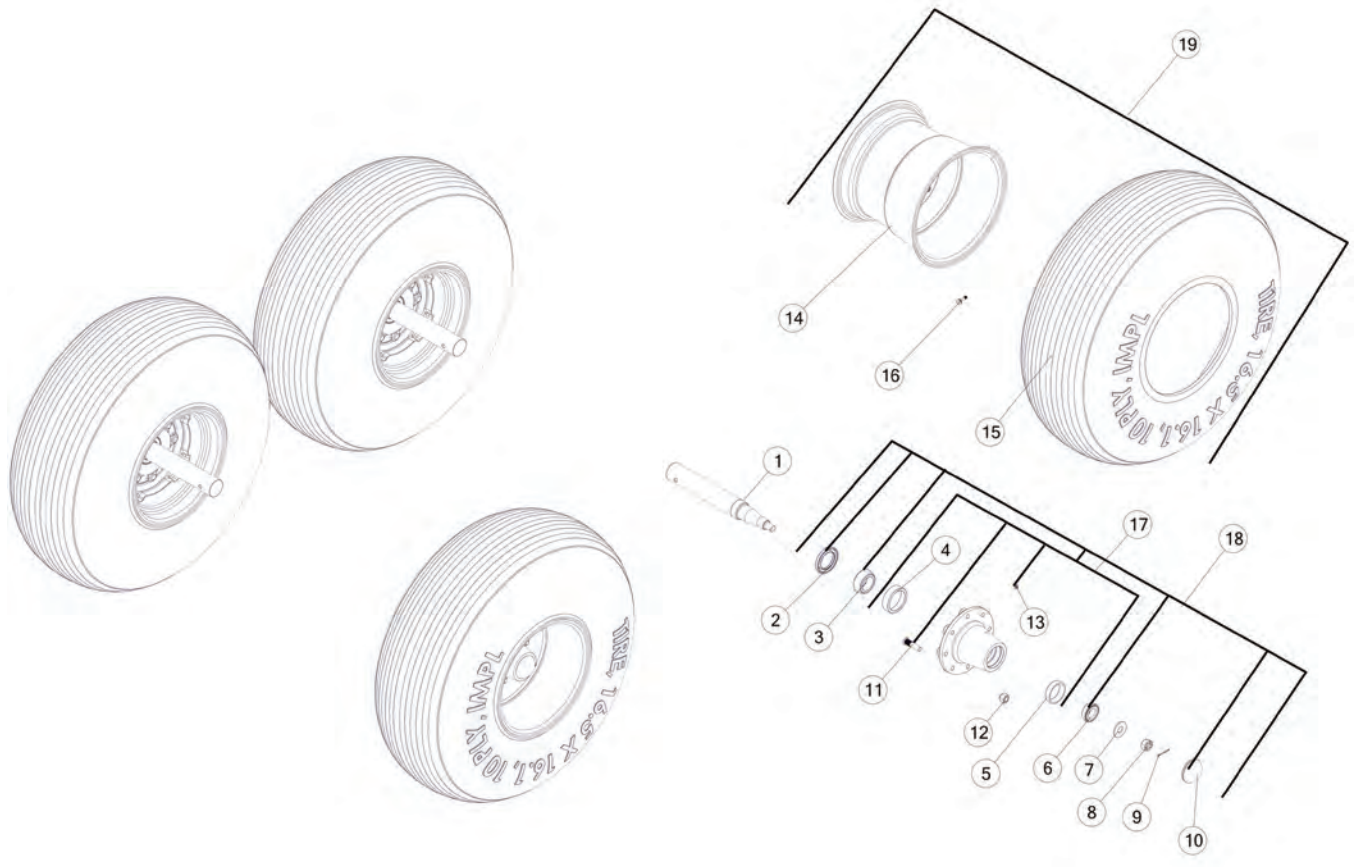




FIGURE 28

TWSHP370

16.5 X 16.1 TIRE/WHEEL/SPINDLE/HUB OPTION







Manufactured By:

H&S MANUFACTURING CO., INC.

2608 S. HUME AVE. MARSHFIELD, WI 54449
(715) 387-3414 | hsmfgco.com

