



# **PARTS** BOOK

**CH3222  
CHASSIS**

Part #101006  
Rev. #00  
HSMFG011624

Starting Ser. #522CH32201





# INSTRUCTIONS FOR ORDERING PARTS

All service parts should be ordered through your authorized H&S dealer. Your Dealership will be able to give you faster service if you will provide them with the following:

1. All references to left or right apply to the machine as viewed from the rear.
2. Parts should not be ordered from illustration only. Please order complete part number.
3. If your dealer has to order parts - give shipping instructions:

VIA truck - large pieces (please specify local truck lines)

VIA United Parcel Service (include full address)

<b>H&amp;S MFG. CO. INC.</b>	
MARSHFIELD, WIS.	
<b>MOD. NO.</b>	<input type="text"/>
<b>SER. NO.</b>	<input type="text"/>
<b>DESCR.</b>	<input type="text"/>

PLEASE RECORD NUMBERS FOR YOUR UNIT FOR QUICK REFERENCE

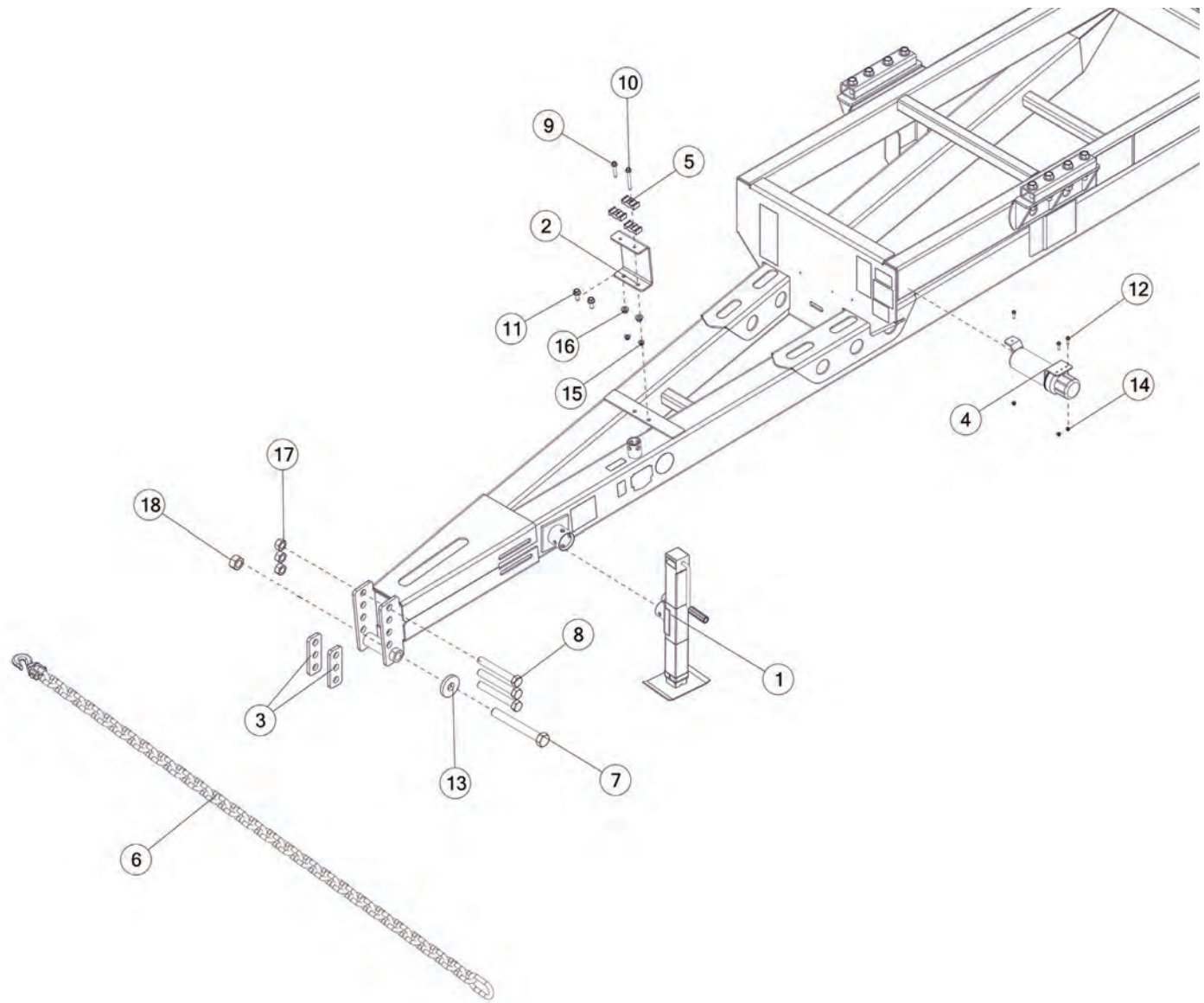
H&S IS CONTINUALLY STRIVING TO IMPROVE ITS PRODUCTS

We must, therefore, reserve the right to make improvements or changes whenever it becomes practical to do so, without incurring any obligation to make changes or additions to the equipment previously sold.





# FIGURE 1 MAIN FRAME & COMPONENTS

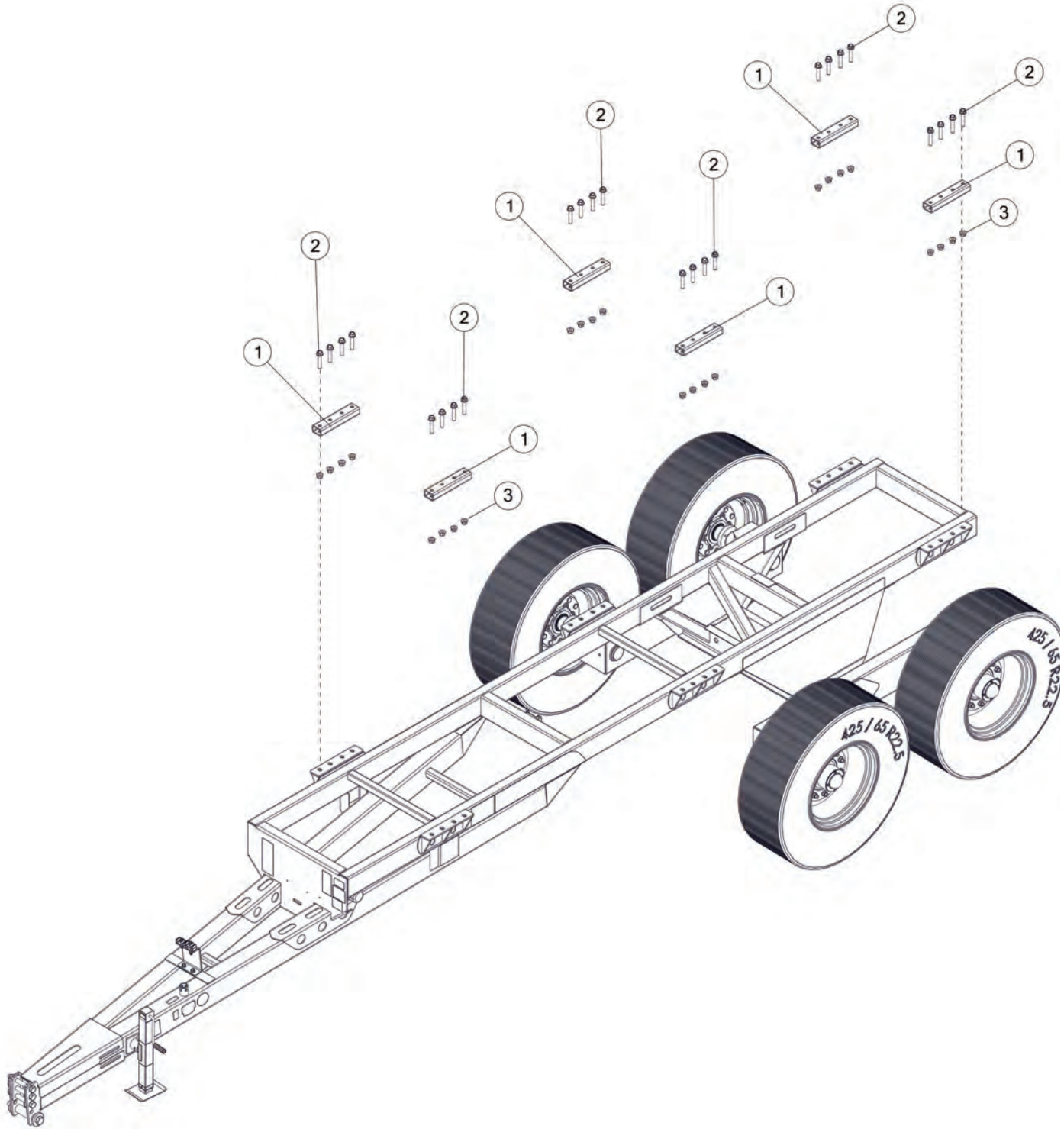






# FIGURE 2

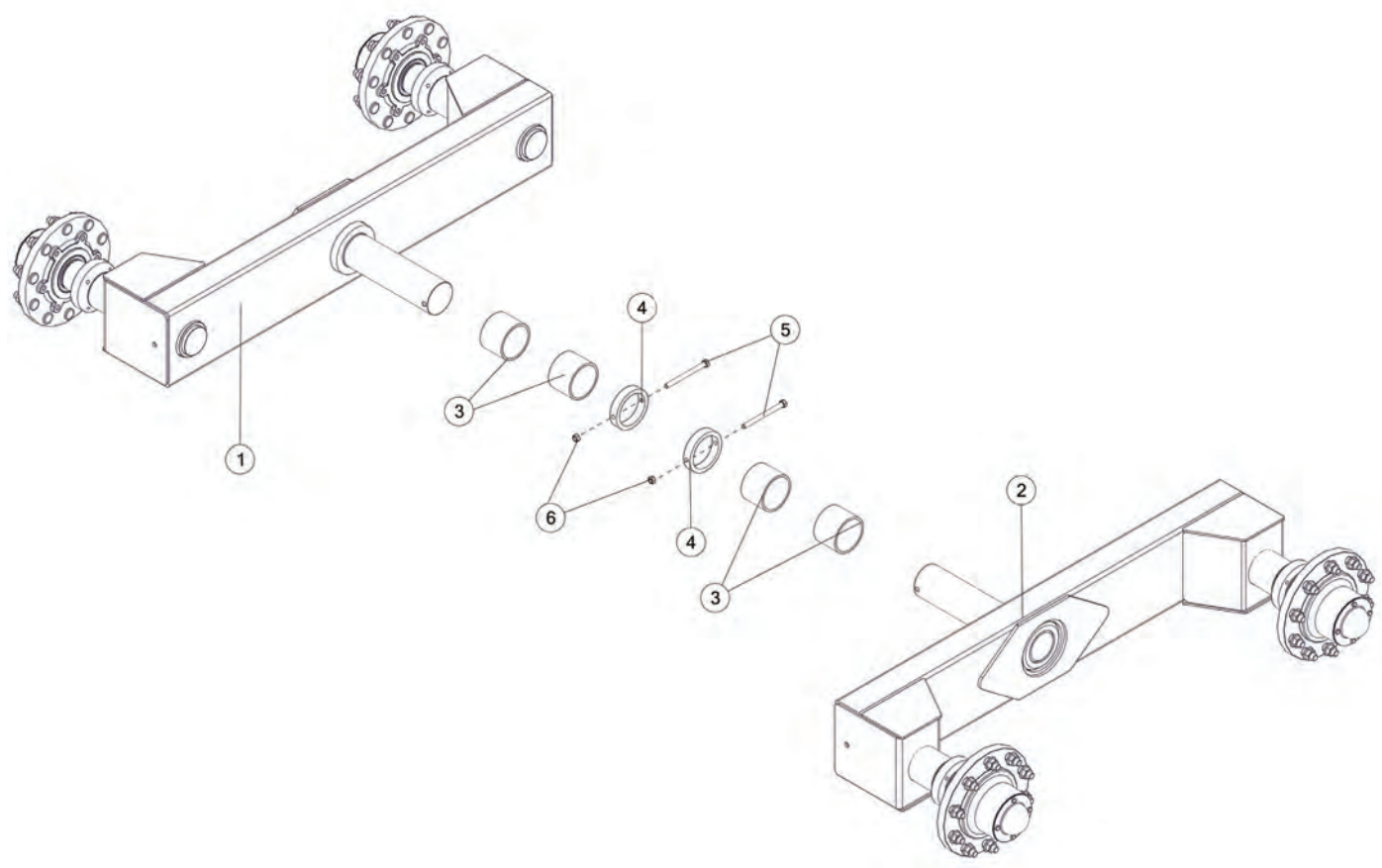
## FRAME SPACERS



REF #	PART #	DESCRIPTION	QTY
1	91115	SPACER	6
2	YBFB24400	BOLT FLANGE, 3/4 X 4 G5	24
3	YNFG24006	NUT FLANGE, TOP LOCK 3/4 GG	24

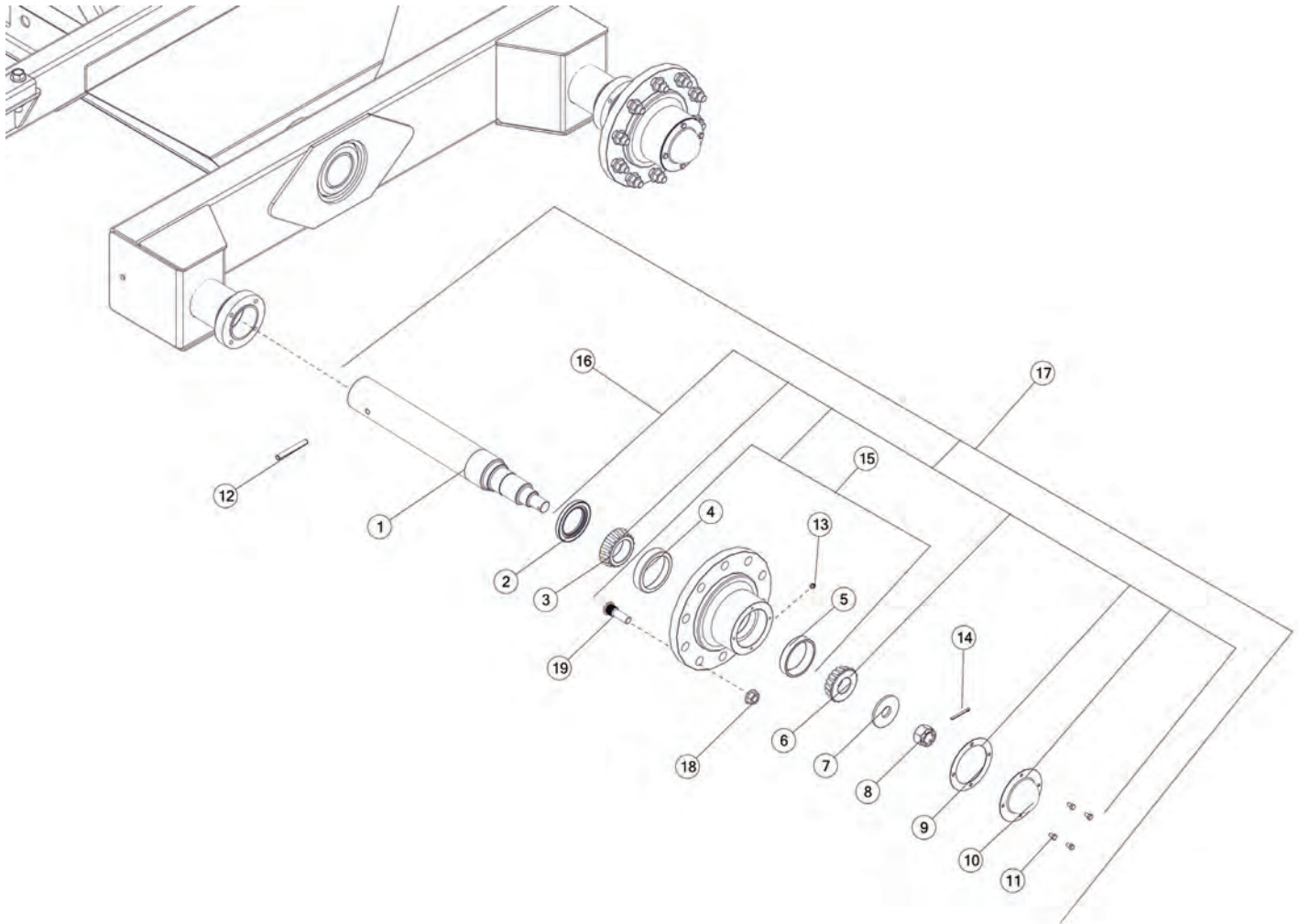


**FIGURE 3**  
**TANDEM BEAM & COMPONENTS**



REF #	PART #	DESCRIPTION	QTY
1	86159	TANDEM BEAM LONG, LH	1
2	86170	TANDEM BEAM LONG, RH	1
3	70157	BUSHING, NYLATRON, 4.5 OD X 4 ID X 3.25	4
4	16SV214	AXLE MOUNT COLLAR	2
5	YBHH16165	BOLT HEX, 1/2 X 6 G5	2
6	YNTL16005	NUT HEX, 1/2-13 LKTL C ZC	2

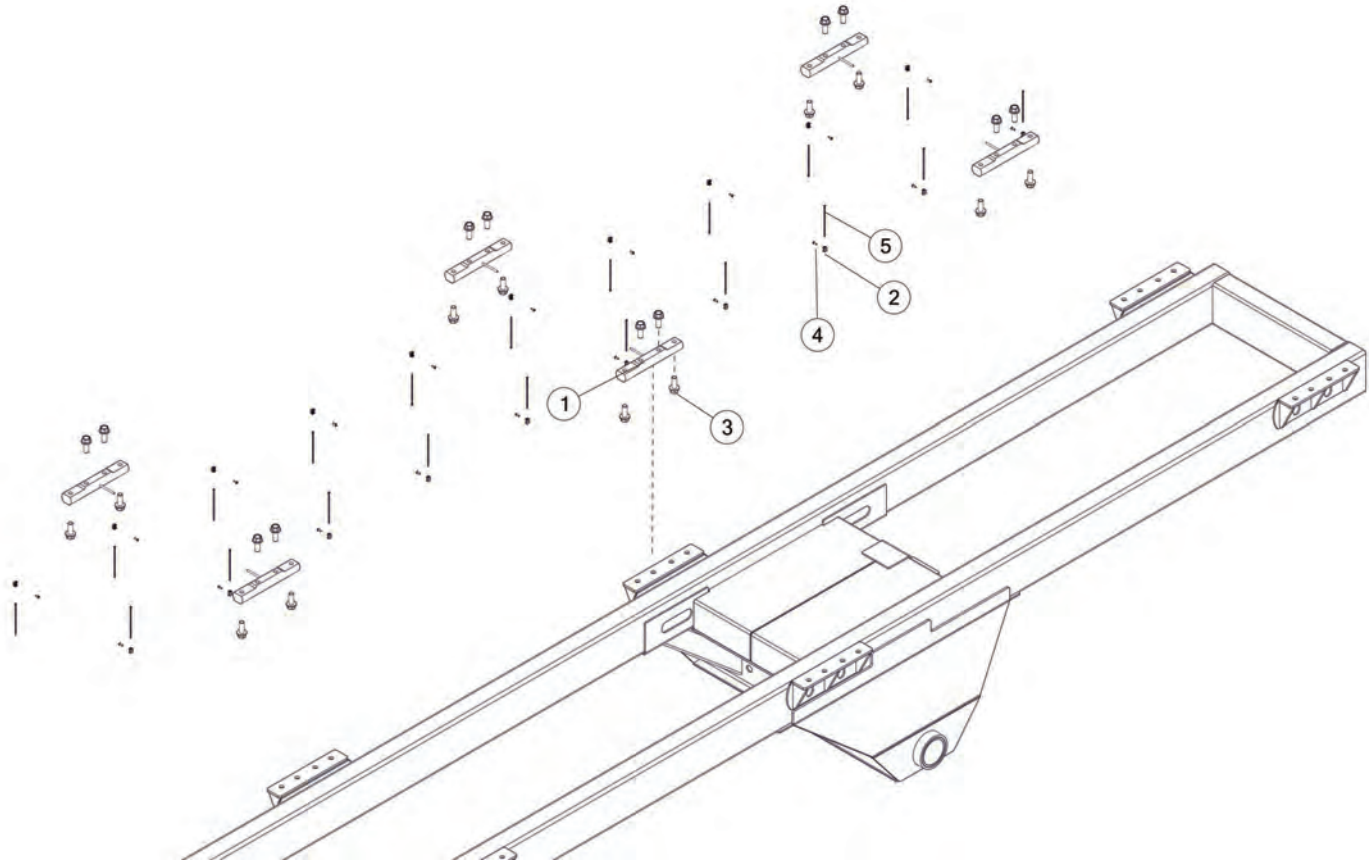








**FIGURE 5**  
**OPTIONAL CHO6SCL**  
**6 POINT SCALE SYSTEM W/MONITOR**



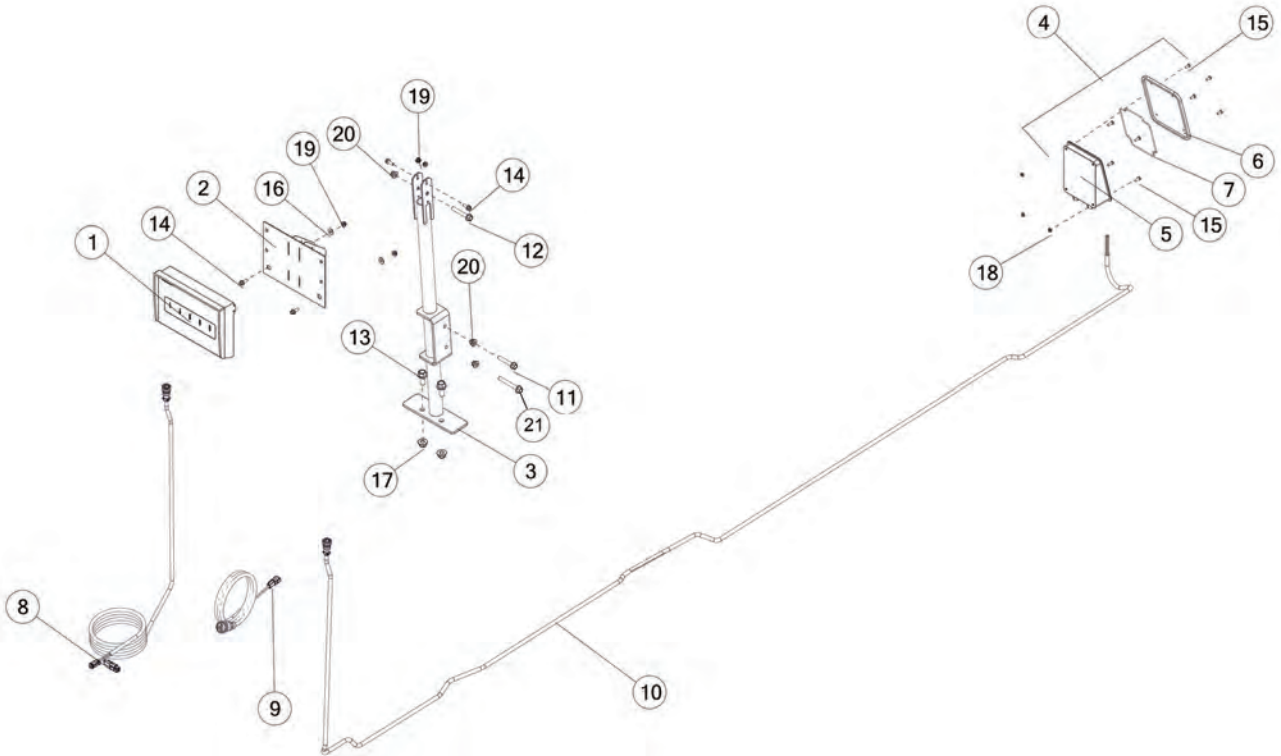
REF #	PART #	DESCRIPTION	QTY
1	90363	LOAD CELL	6
2	71890	CABLE TIE HOLD DOWN	22
3	YBFB24200	BOLT FLANGE, 3/4 X 2.00 G5	24
4	YSTC64005	THREAD CUTTING SCREW, PAN HEAD, 10-32 X 1/2	22
5	CIZT108	ZIPTIE, 6 X .14 X .05	22



# FIGURE 5

## OPTIONAL CHO6SCL

### 6 POINT SCALE SYSTEM W/MONITOR



REF #	PART #	DESCRIPTION	QTY
1	GM404	SCALE MONITOR	1
2	92335	MOUNT, SCALE HEAD	1
3	92336	BRACKET, SCALE HEAD	1
4	71914	CELL MODULE ASSY, J-BOX 6-8	1
5	71904	HSG J-BOX BOTTOM 6-8 CELL	1
6	71911	HSG-J BOX TOP	1
7	71909	GASKET, J-BOX HOUSING	1
8	92356	ELECTRIC HARNESS, SCALE	1
9	59107	POWER CABLE	1
10	GM406	JUNCTION BOX CORD	1
11	YBFB12225	BOLT FLANGE, 3/8 X 2-1/4 G5	2
12	YBFB12250	BOLT FLANGE, 3/8 X 2-1/2 G5	1
13	YBFB16125	BOLT FLANGE, 1/2 X 1-1/4 G5	2
14	YBFB08075	BOLT FLANGE, 1/4 X 3/4 G5	4
15	YSPN64005	SCREW PAN HEAD, #10-24 X 5/8	8
16	YWFL08005	WASHER FLAT, 1/4	2
17	YNFG16003	NUT FLANGE, 1/2 GF	2
18	YNHX64010	NUT HEX, MACHINE, #10-24, ZC	4
19	YNFG08010	NUT FLANGE , 1/4 GF	4
20	YNFG12006	NUT FLANGE, 3/8 GF	3
21	YBFB12300	BOLT FLANGE, 3/8 X 3 G5	1
22	YBFB12300	BOLT FLANGE, 3/8 X 3 G5	1
*	CIZT115	ZIPTIE, 8 X .14 X .03	15

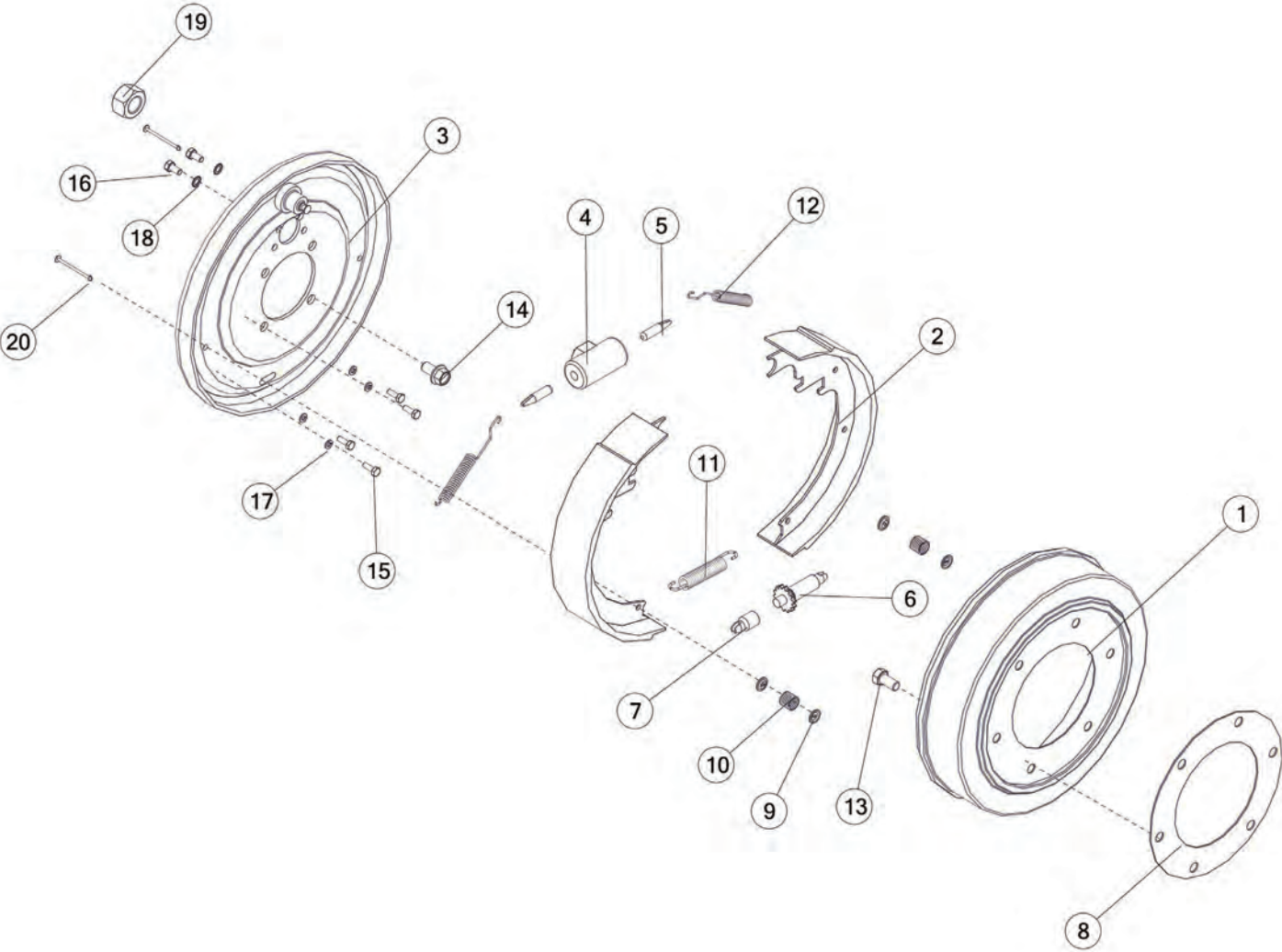




# FIGURE 6

## OPTIONAL CHOBK

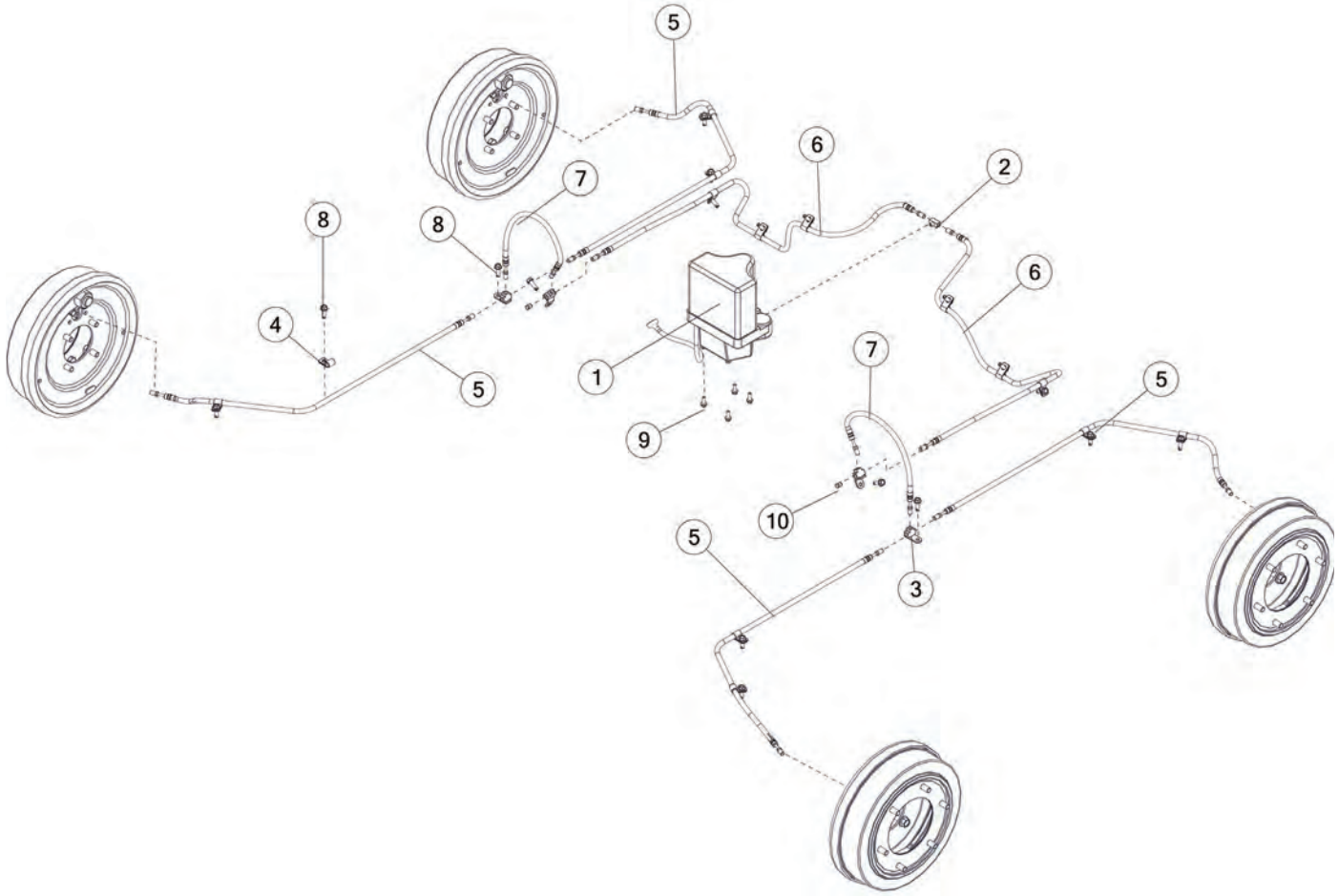
### 4 WHEEL ELEC ACTIVATED BRAKE SYSTEM







**FIGURE 6**  
**OPTIONAL CHOBK**  
**4 WHEEL ELEC ACTIVATED BRAKE SYSTEM**

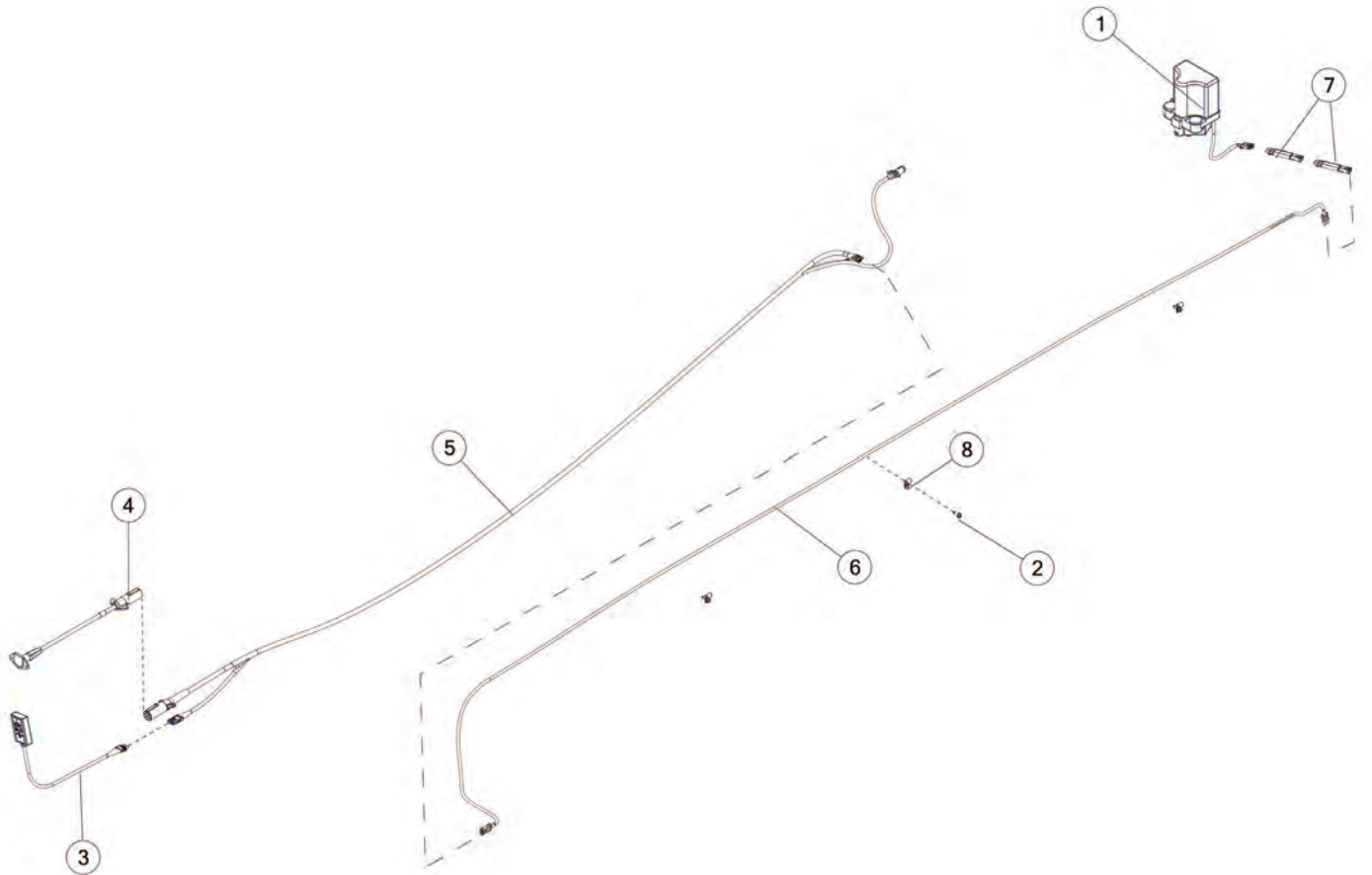


REF #	PART #	DESCRIPTION	QTY
1	FBC41	PUMP/MASTER CYLINDER	1
2	FBC45	BRANCH TEE	1
3	RGB26	BRAKE LINE TEE	4
4	HGV162	RUBBER WIRE HOLDER, 1/2	14
5	92419	BRAKE HOSE, 36	4
6	92467	BRAKE HOSE, 48	2
7	FBC46	HYDRAULIC BRAKE HOSE	2
8	YSST10005	BOLT FLANGE, SELF THREADING, .312 X 1	18
9	YBFB08075	BOLT FLANGE, 1/4 X 3/4 G5	4
10	57176	BRAKE LINE PLUG, 3/16	2



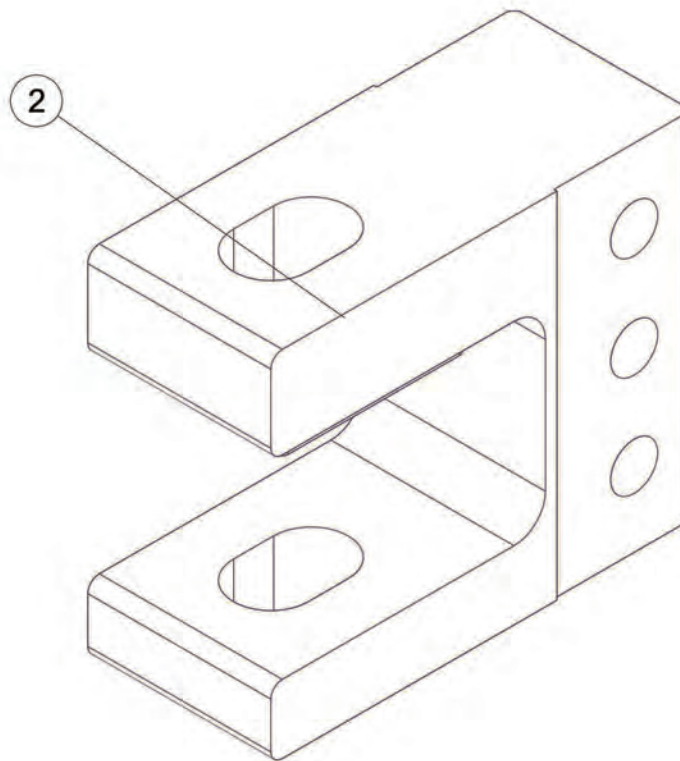
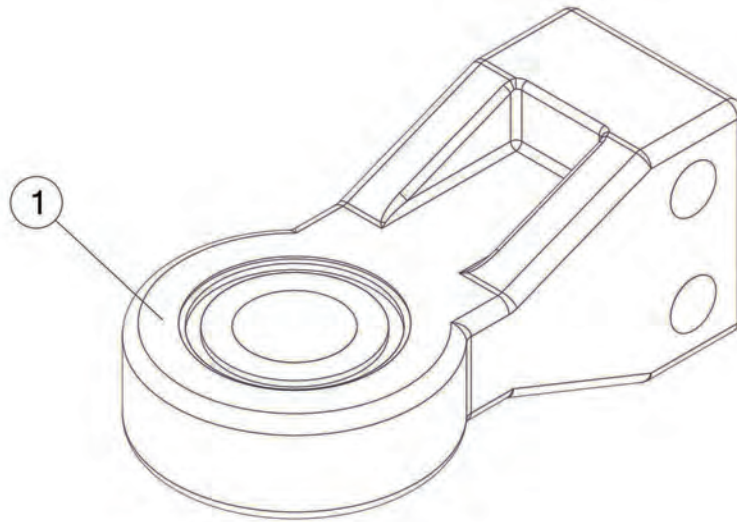
# FIGURE 6

## OPTIONAL CHOBRK 4 WHEEL ELEC ACTIVATED BRAKE SYSTEM



REF #	PART #	DESCRIPTION	QTY
1	FBC41	PUMP/MASTER CYLINDER	1
2	YSST10005	BOLT FLANGE, SELF THREADING, .312 X 1	3
3	FBC38	BRAKE CONTROL	1
4	92492	ELECTRIC HARNESS, 4 FEMALE-7 MALE	1
5	FBC30	ELECTRIC BRAKE HARNESS	1
6	FBC40	PUMP/MASTER CYLINDER HARNESS	1
7	73990	ELEC, BRAKE RESISTOR	2
8	HGV162	RUBBER WIRE HOLDER, 1/2	3
*	CIZT115	ZIPTIE, 8 X .14 X .03	15



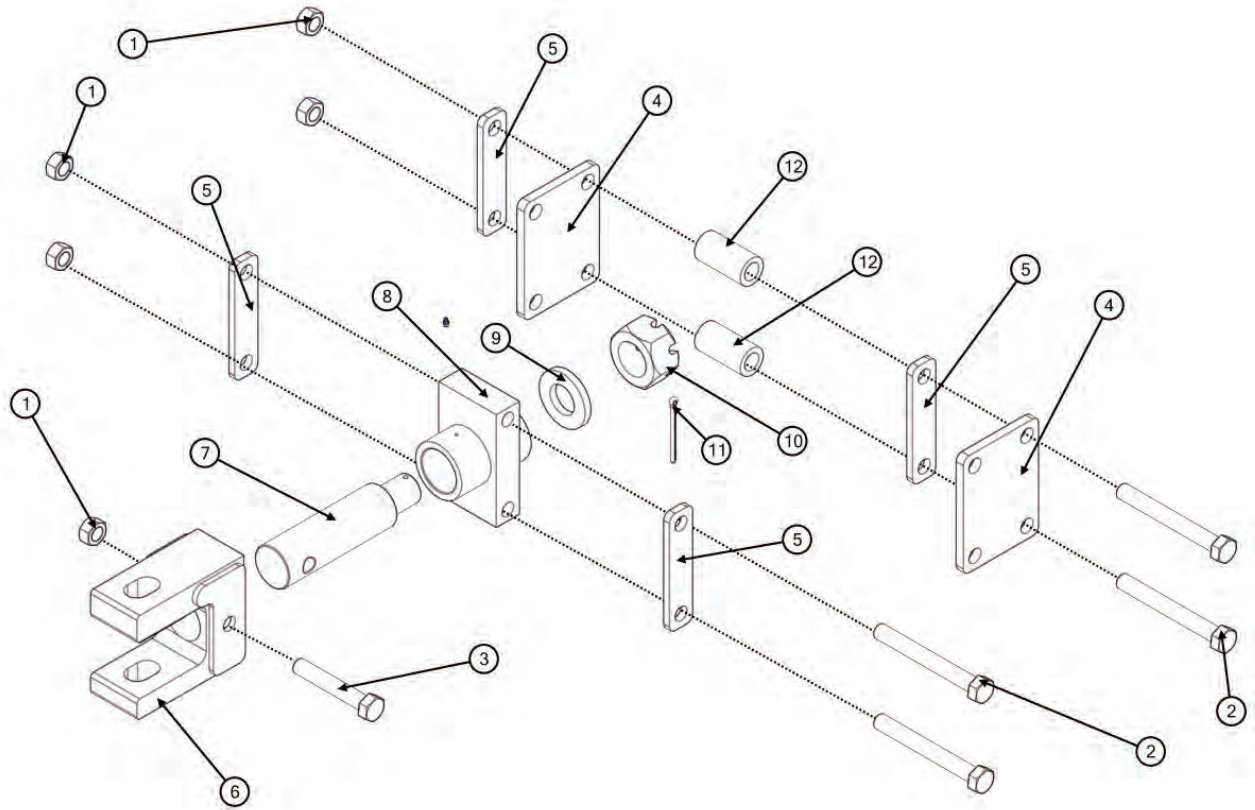



REF #	PART #	DESCRIPTION	QTY
1	HTCHB	HITCH, BULLNOSE	1
2	HTCHC	HITCH, CLEVIS	1



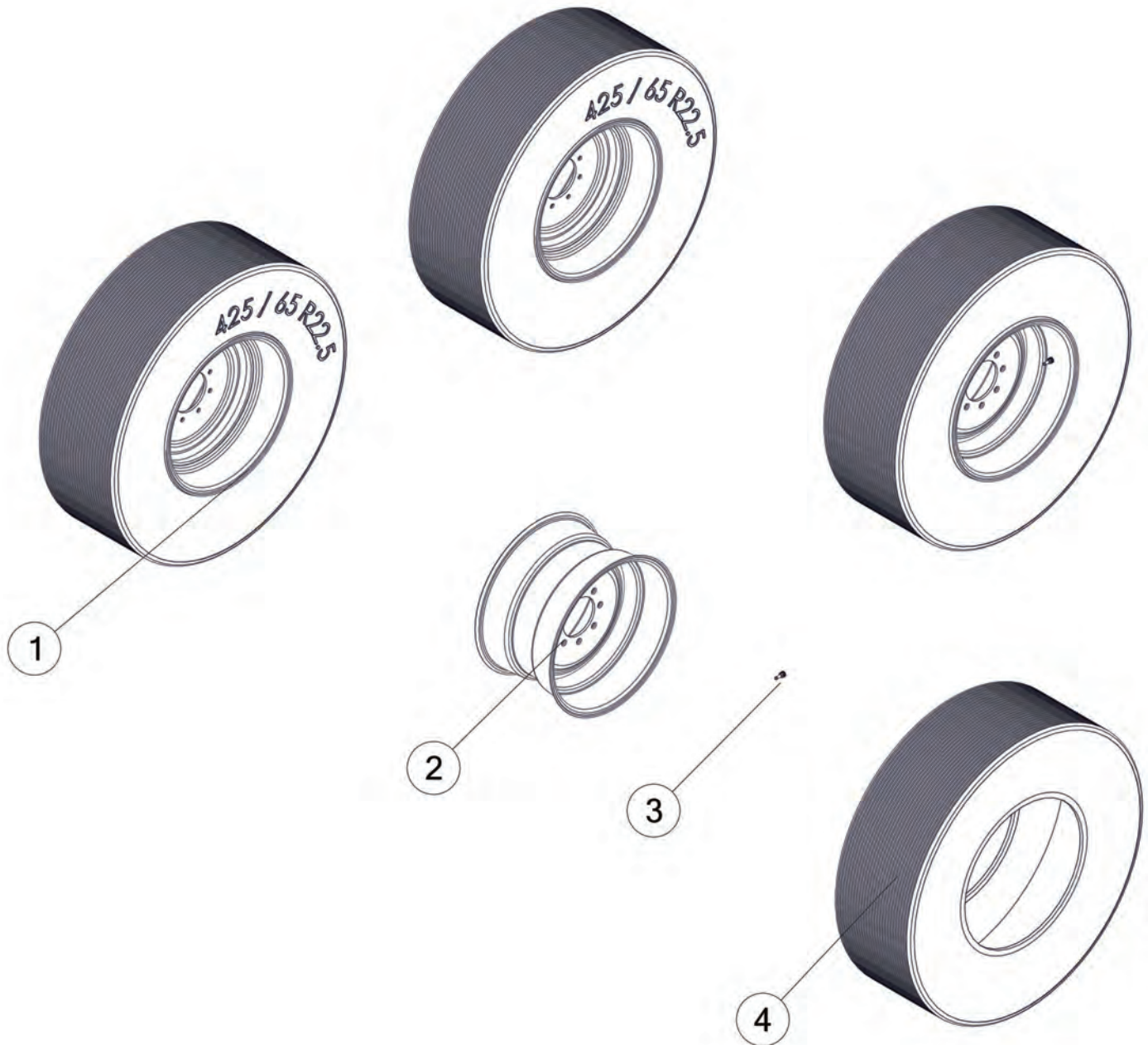
# FIGURE 7

## OPTIONAL HITCH CHOSCH22



REF #	PART #	DESCRIPTION	QTY
1	YNL32005	NUT, HEX, 1-8, LKTL, C, ZC	5
2	YBHH32850	BOLT, 1 X 8 1/2 GR 5	4
3	YBHH32026	BOLT, 1"-8 X 6 GR8 YELLOW ZINC	1
4	91291	HITCH PLATE	2
5	HS104351	HITCH SPACER	4
6	91293	CLEVIS HITCH, DOUBLE	1
7	91303	SWIVEL HITCH SHAFT	1
8	88691	HITCH PIVOT	1
9	88697	WASHER, SWIVEL NUT	1
10	YNSL48005	NUT, SLOT, 2-1/2-12, NA, G2, NF	1
11	YPCT10020	COTTER PIN, 5/16 X 4	1
12	91294	HITCH CRUSH SLEEVE	2



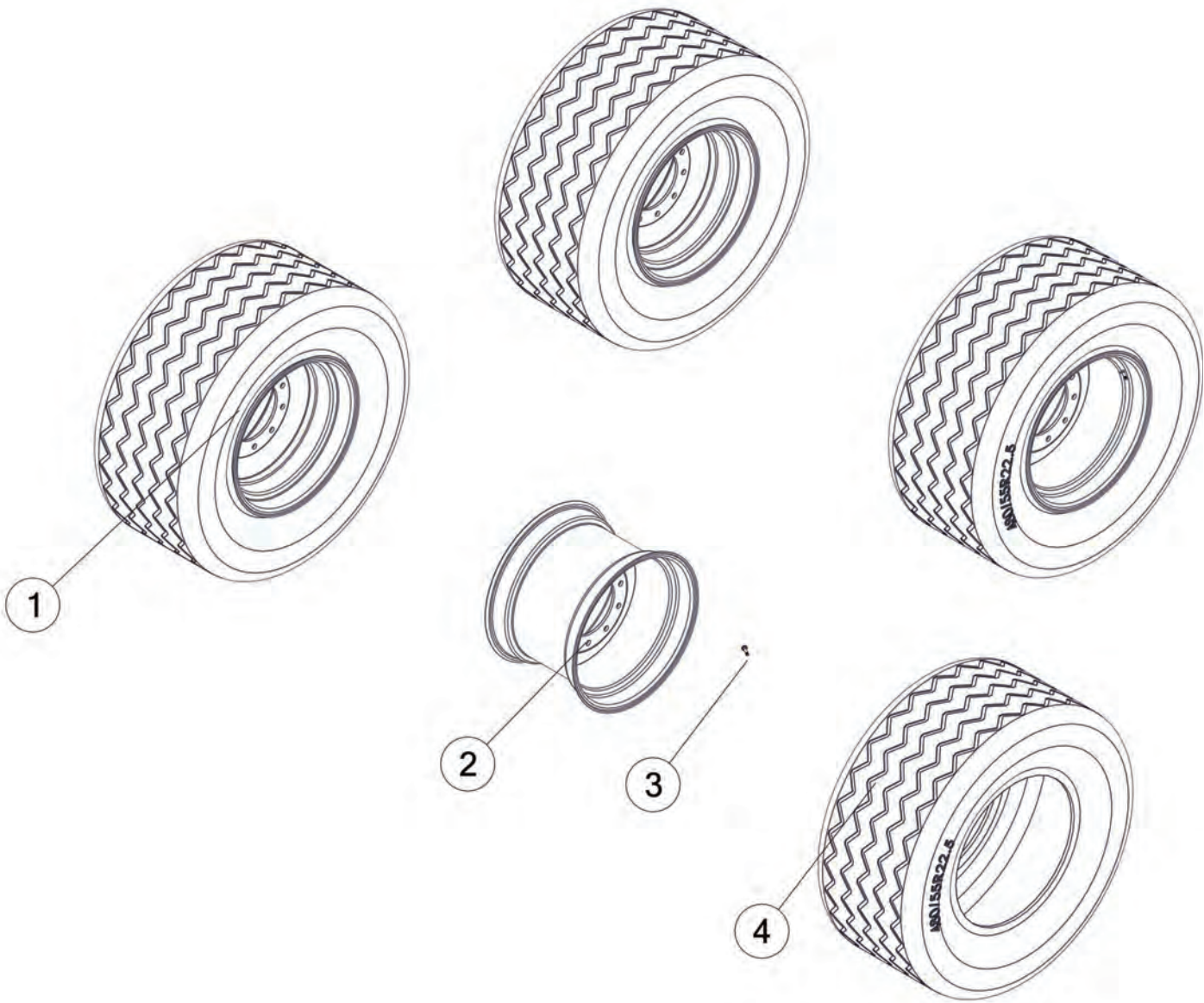


REF #	PART #	DESCRIPTION	QTY
1	90195	ASSEMBLY, TIRE AND WHEEL	4
2	90188	WHEEL, 22.5 X 13.0 10-BOLT SILVER	4
3	72438	VALVE STEM, 1-1/2" HEX NUT	4
4	16SV88	TIRE, 425-65 X 22.5	4



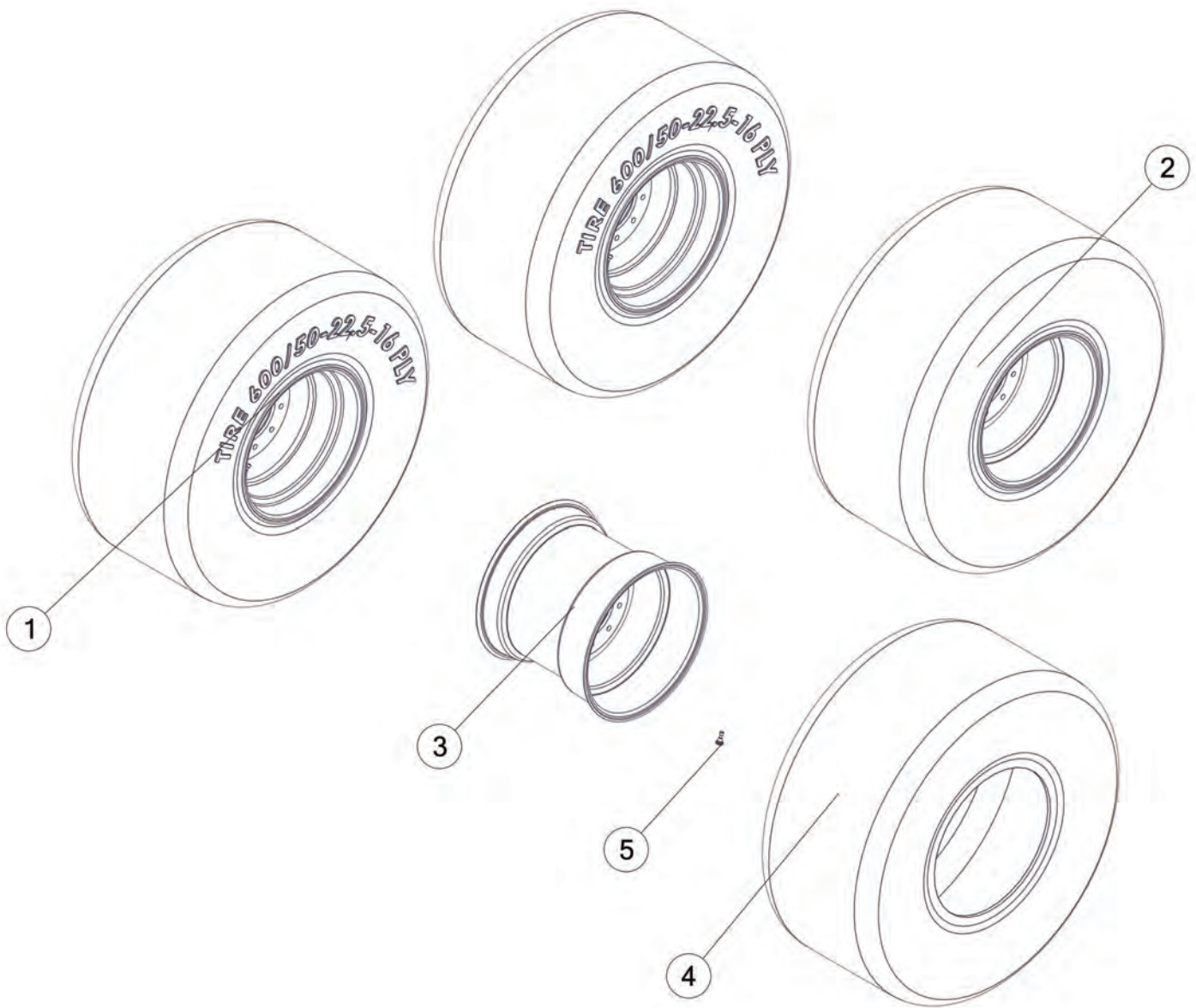
# FIGURE 9

OPTIONAL TWP480S  
480/55R X 22.5 TIRES W/SILVER 10-BOLT RIMS



REF #	PART #	DESCRIPTION	QTY
1	90204	ASSEMBLY, TIRE AND WHEEL, RH	2
2	90196	ASSEMBLY, TIRE AND WHEEL, LH	2
3	90190	WHEEL, 22.5 X 20.0 10-BOLT SILVER	4
4	FBC36	TIRE, 600/50-22.5-16 PLY	4
5	72437	VALVE STEM, 1.25 HD	4













Manufactured By:

# H&S MANUFACTURING CO., INC.

2608 S. HUME AVE. MARSHFIELD, WI 54449  
(715) 387-3414 | hsmfgco.com

