



CH3130

CHASSIS

PARTS BOOK

Part #91247

HSMFG050421

Rev. #00

Starting Ser. #121CH33002

STRONG HERITAGE - STRONG PEOPLE - STRONGER FUTURE

CONTENTS

Instructions for Ordering Parts - About Improvements	1
Figure 1 - Main Frame & Components	2-3
Figure 2 - Tandem Beam & Components	4-5
Figure 3 - Tire & Wheel Package TWP70022S	6-7
Figure 4 - Optional Spacer Kit CHO5CMK8	8-9
Figure 5 - Optional Spacer Kit CHO5CMK6	10-11
Figure 6 - Optional Scale System CH08SCL	12-15
Figure 7 - Optional Brake System CH0BRK	16-21
Notes	22

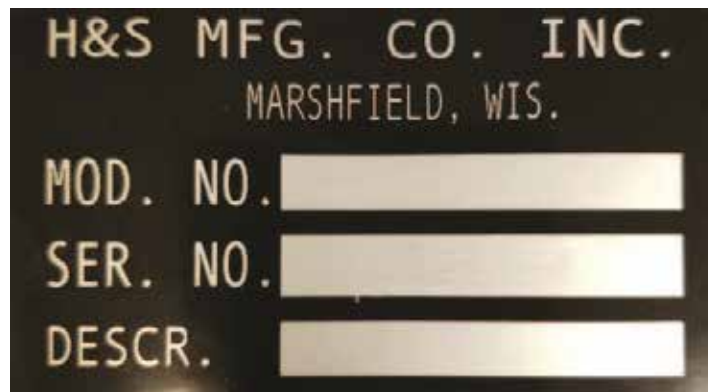
INSTRUCTIONS FOR ORDERING PARTS

All service parts should be ordered through your authorized H&S dealer. He will be able to give you faster service if you will provide them with the following:

1. Model & Serial Number - Both can be located on the center of the main front plate.
2. All references to left or right apply to the machine as viewed from the rear.
3. Parts should not be ordered from illustration only. Please order complete part number.
4. If your dealer has to order parts - give shipping instructions:

VIA truck - large pieces (please specify local truck lines)

VIA United Parcel Service (include full address)



H&S MFG. CO. INC.
MARSHFIELD, WIS.
MOD. NO.
SER. NO.
DESCR.

PLEASE RECORD NUMBERS FOR YOUR UNIT FOR QUICK REFERENCE

ABOUT IMPROVEMENTS

H&S IS CONTINUALLY STRIVING TO IMPROVE ITS PRODUCTS

We must, therefore, reserve the right to make improvements or changes whenever it becomes practical to do so, without incurring any obligation to make changes or additions to the equipment previously sold.

FIGURE 1 **MAIN FRAME & COMPONENTS**

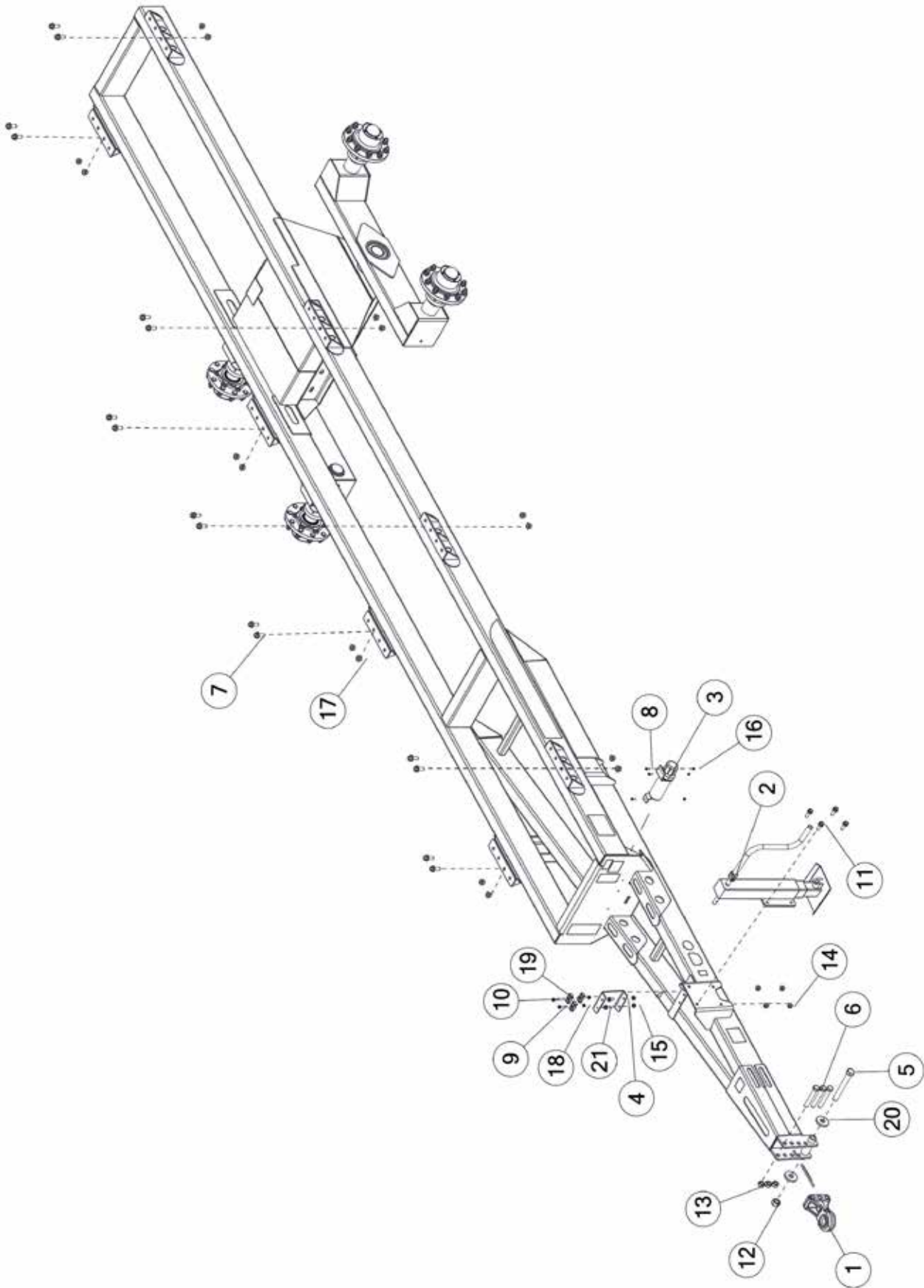


FIGURE 3
TIRE & WHEEL PACKAGE TWP70022S

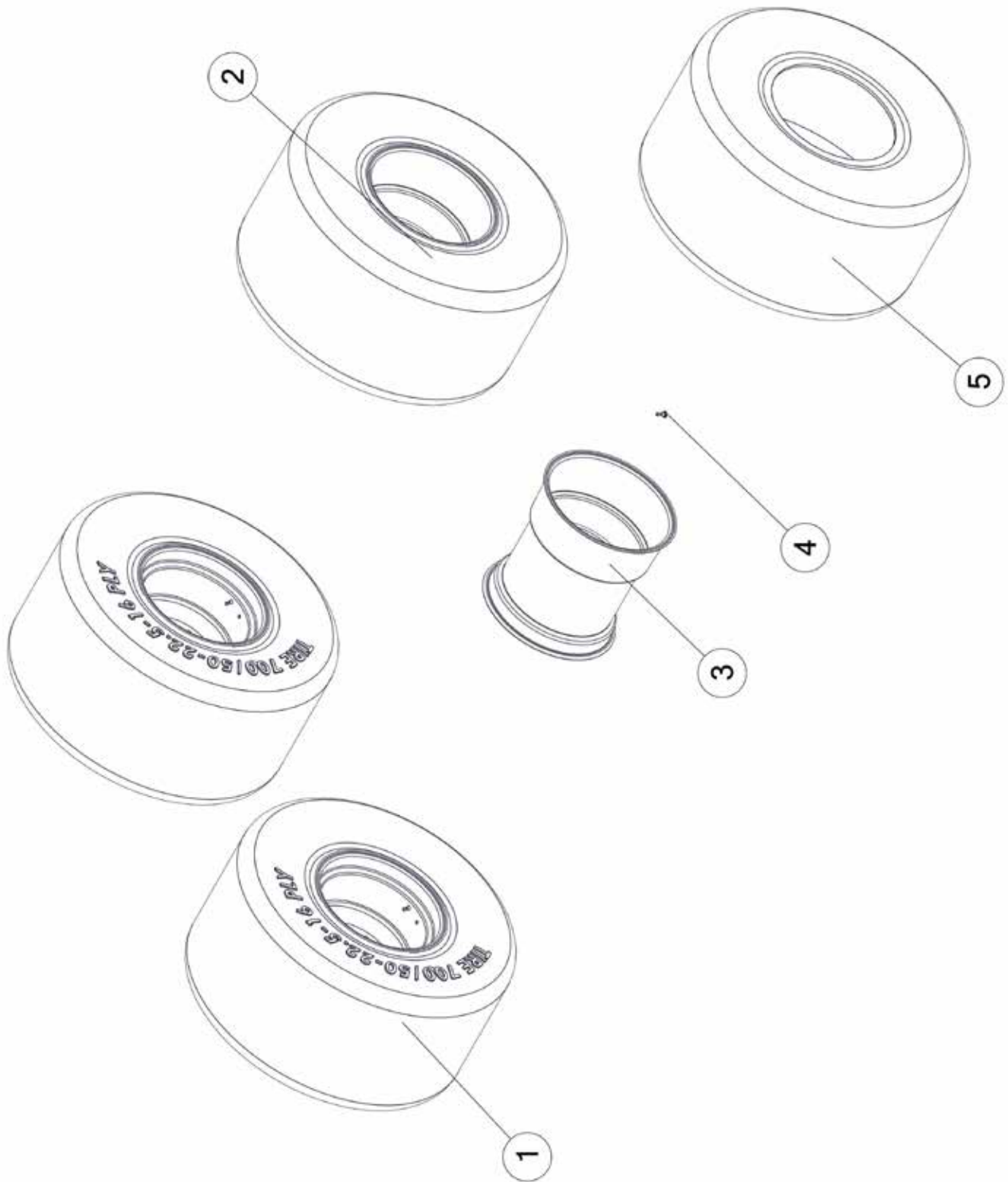


FIGURE 4
OPTIONAL SPACER KIT CHO5CMK8

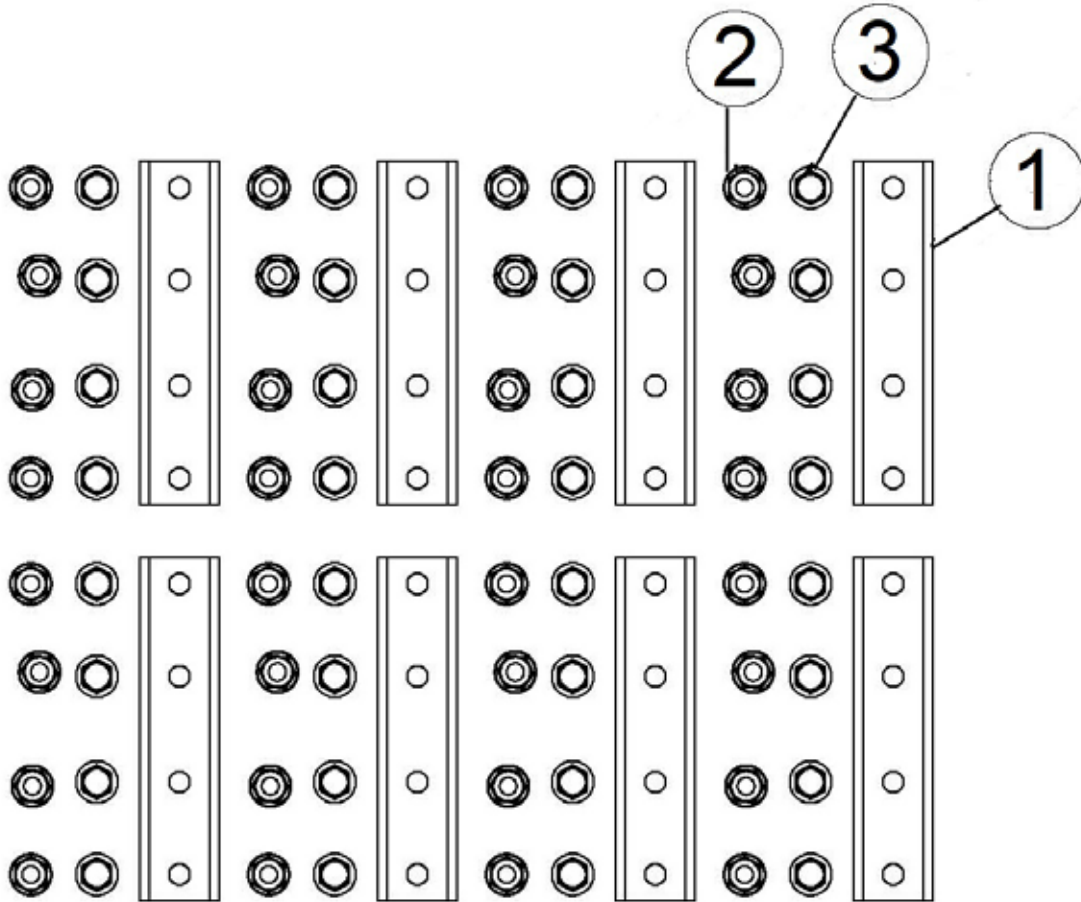


FIGURE 6 **OPTIONAL CHO8SCL SCALE SYSTEM**

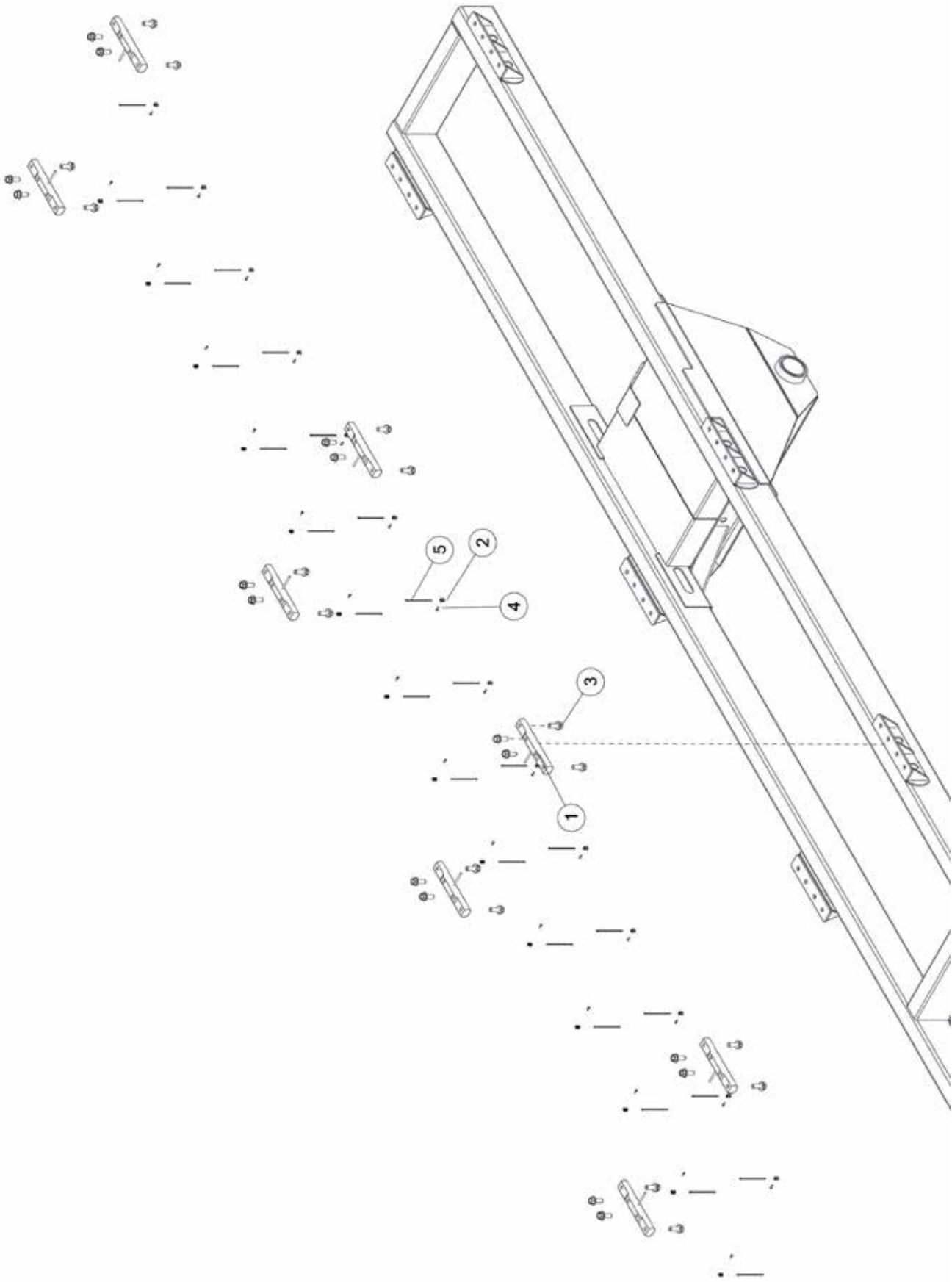


FIGURE 6
OPTIONAL CHO8SCL SCALE SYSTEM

FIGURE 6

OPTIONAL CHO8SCL SCALE SYSTEM

<u>ITEM</u>	<u>QTY</u>	<u>PART#</u>	<u>DESCRIPTION</u>
1	1	GM404	SCALE MONITOR
2	1	92335	MOUNT, SCALE HEAD
3	1	92336	BRACKET, SCALE HEAD
4	1	71914	CELL MODULE ASSY, J-BOX 6-8
5	1	71904	HSG J-BOX BOTTOM 6-8 CELL
6	1	71911	HSG-J BOX TOP
7	1	71909	GASKET, J-BOX HOUSING
8	1	92356	ELECTRIC HARNESS, SCALE
9	1	59107	POWER CABLE
10	1	GM406	JUNCTION BOX CORD
11	2	YBFB12225	BOLT FLANGE, 3/8 X 2-1/4 G5
12	1	YBFB12250	BOLT FLANGE, 3/8 X 2-1/2 G5
13	2	YBFB16125	BOLT FLANGE, 1/2 X 1-1/4 G5
14	4	YBFB08075	BOLT FLANGE, 1/4 X 3/4 G5
15	8	YSPN64005	SCREW PAN HEAD, #10-24 X 5/8
16	2	YWFL08005	WASHER FLAT, 1/4
17	2	YNFG16003	NUT FLANGE, 1/2 GF
18	4	YNHX64010	NUT HEX, MACHINE, #10-24, ZC
19	4	YNFG08010	NUT FLANGE , 1/4 GF
20	3	YNFG12006	NUT FLANGE, 3/8 GF

FIGURE 7 **OPTIONAL CHOBK BRKE SYSTEM**

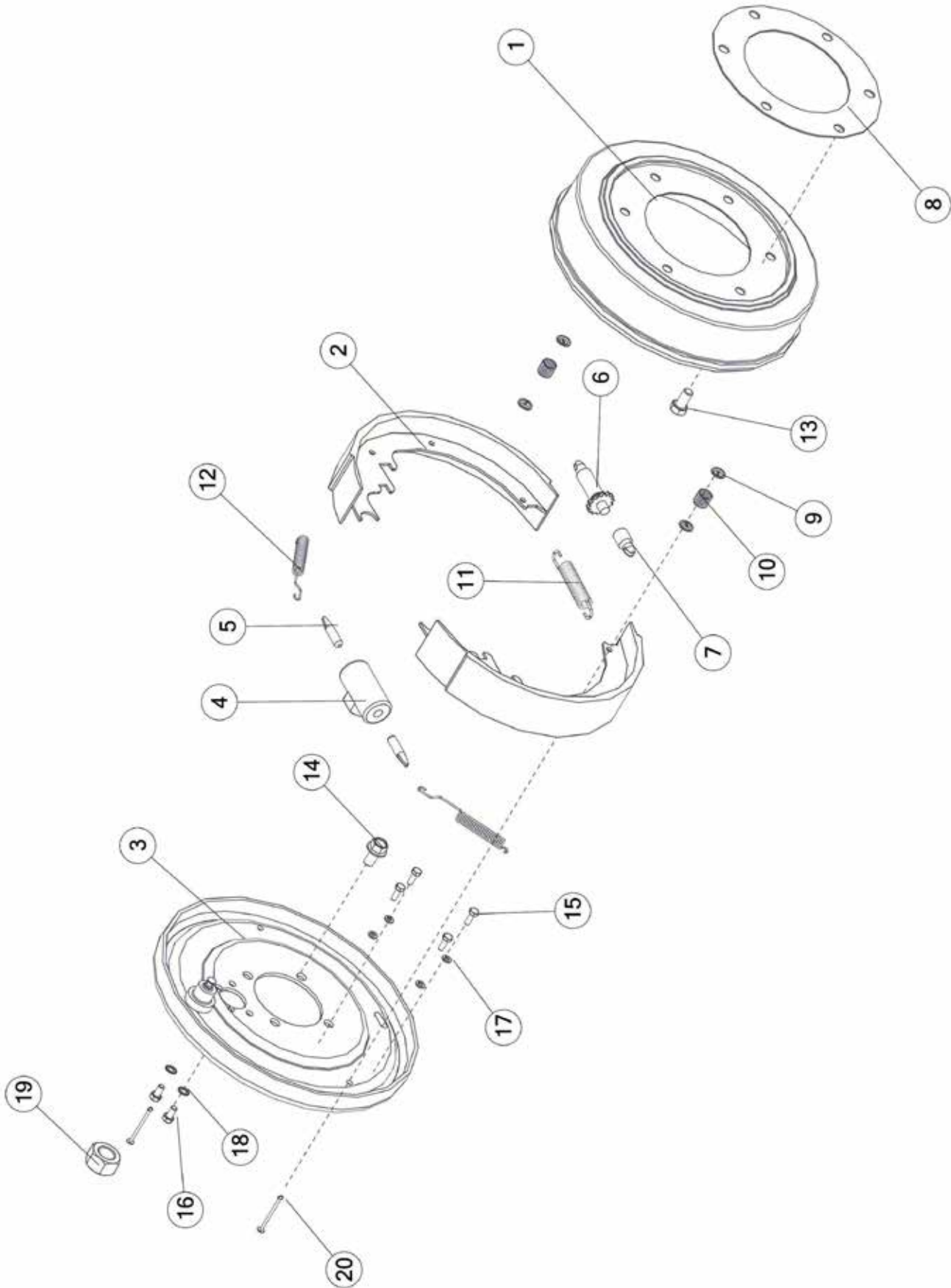


FIGURE 7

OPTIONAL CHOBRK BRAKE SYSTEM

<u>ITEM</u>	<u>QTY</u>	<u>PART#</u>	<u>DESCRIPTION</u>
1	1	RGE10	BRAKE DRUM FOR 20 TON RG
2	2	FBC50	REAR BRAKE SHOE ASSEMBLY
3	1	74293	ASSY, BACKING PLATE, 20 TON
4	1	74292	MASTER BRAKES, 20 TON
5	2	FBC54	PUSH ROD
6	1	74289	ADJUSTING SCREW
7	1	74290	BRAKE ADJUSTER SOCKET
8	1	CB20	DRUM SPACER
9	4	RGB57	CUP SHOE HOLD DOWN
10	2	RGB59	SPRING HOLD DOWN
11	1	RGB50	SPRING ADJUSTING SCREW
12	2	RGB55	SPRING SHOE
13	6	YBHH16011	BOLT HEX, 1/2 X 1 G5
14	4	YBFB16100	BOLT FLG, 1/2 X 1 G5
15	4	YBHH08100	BOLT HEX, 1/4 X 3/4 G5
16	2	YBHH10132	BOLT HEX, 5/16 X 5/8 G5
17	4	YWLO08005	WASHER LOCK, 1/4
18	2	YWSI10005	WASHER LOCK, STAR, 5/16
19	1	YNHX32011	NUT HEX, 1 G5
20	2	RGB56	PIN-SHOE HOLD DOWN

FIGURE 7 **OPTIONAL CHOBK BRKE SYSTEM**

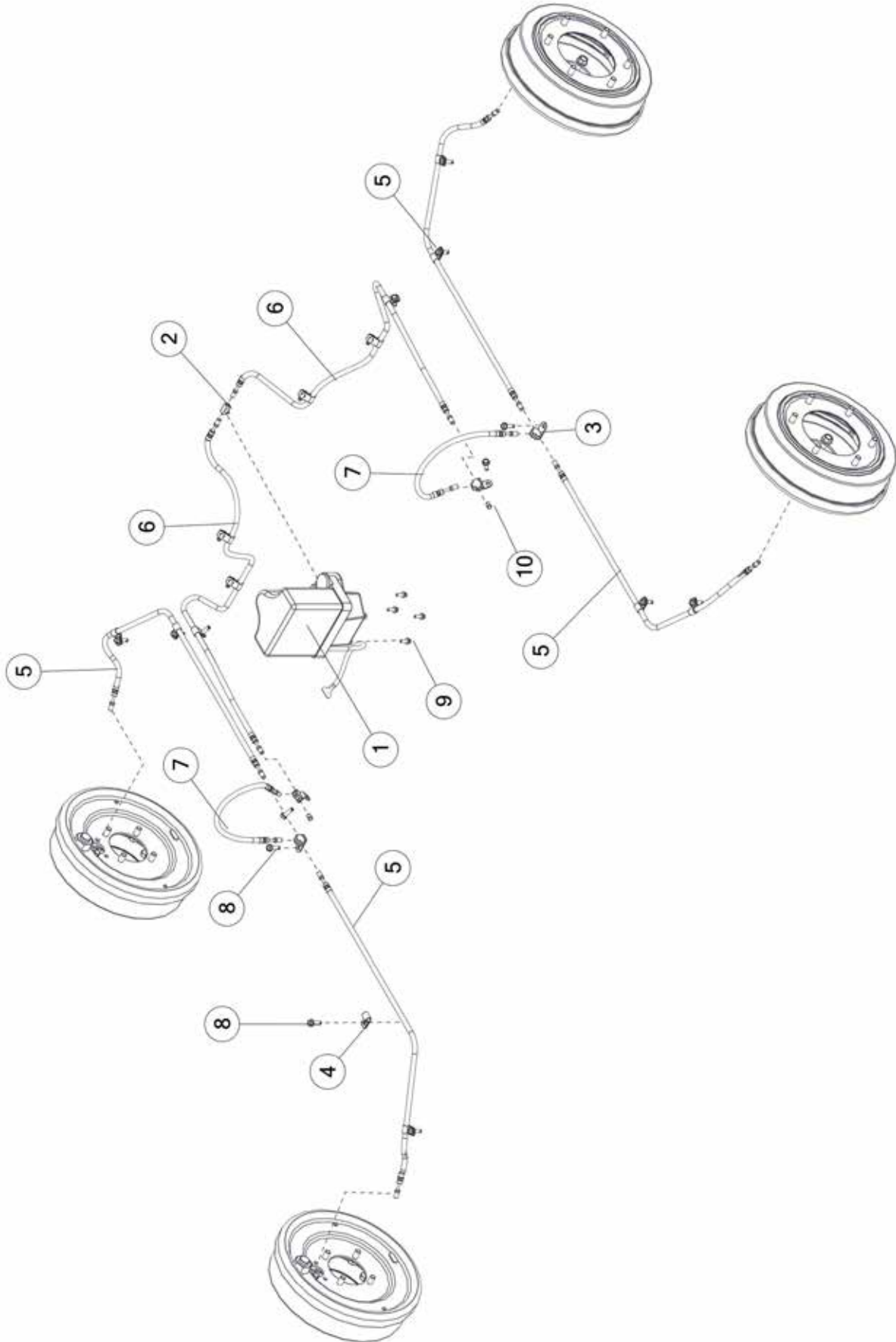


FIGURE 7
OPTIONAL CHOBK BRAKE SYSTEM

<u>ITEM</u>	<u>QTY</u>	<u>PART#</u>	<u>DESCRIPTION</u>
1	1	FBC41	PUMP/MASTER CYLINDER
2	1	FBC45	BRANCH TEE
3	4	RGB26	BRAKE LINE TEE
4	14	HGV162	RUBBER WIRE HOLDER, 1/2
5	4	92419	BRAKE HOSE, 36
6	2	92467	BRAKE HOSE, 48
7	2	FBC46	HYDRAULIC BRAKE HOSE
8	18	YSST10005	BOLT FLANGE, SELF THREADING, .312 X 1
9	4	YBFB08075	BOLT FLANGE, 1/4 X 3/4 G5
10	2	57176	BRAKE LINE PLUG, 3/16

FIGURE 7 **OPTIONAL CHOBK BRKE SYSTEM**

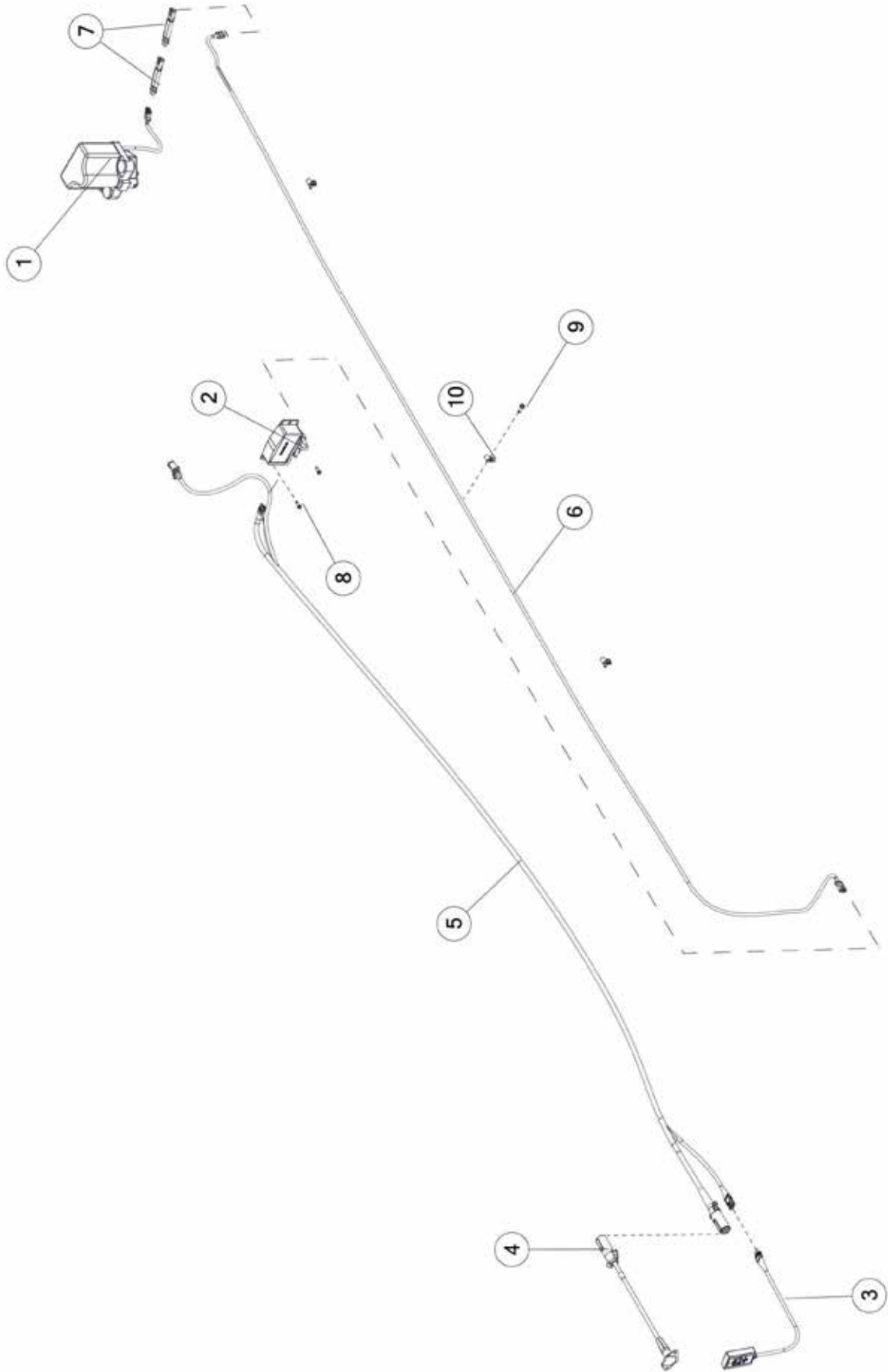


FIGURE 7
OPTIONAL CHOBK BRAKE SYSTEM

<u>ITEM</u>	<u>QTY</u>	<u>PART#</u>	<u>DESCRIPTION</u>
1	1	FBC41	PUMP/MASTER CYLINDER
2	1	FBC39	BRAKE CONTROL MODULE
3	1	FBC38	BRAKE CONTROL
4	1	92492	ELECTRIC HARNESS, 4 FEMALE-7 MALE
5	1	FBC30	ELECTRIC BRAKE HARNESS
6	1	FBC40	PUMP/MASTER CYLINDER HARNESS
7	2	73990	ELEC, BRAKE RESISTOR
8	2	YSDR08005	SCREW SELF DRILLING, HEX WASHER HEAD, 1/4 X 1
9	4	YSST10005	BOLT FLANGE, SELF THREADING, .312 X 1
10	4	HGV162	RUBBER WIRE HOLDER, 1/2

CHANGE NOTES

H&S MFG. CO.

products approved

for the

FEMA

SEAL OF QUALITY



Manufactured by:

H&S MANUFACTURING CO., INC.

2608 S. HUME AVE. MARSHFIELD, WI 54449

(715) 387-3414 | hsmfgco.com

