



PARTS BOOK

S2213

MANURE SPREADER

Part #92175

Rev. #03

HSMFG010725

Starting Ser. #622PD13001



TABLE OF CONTENTS

FIGURE #	CONTENTS	PAGE #
*	INSTRUCTIONS FOR ORDERING PARTS	1
1	FRONT POLE & COMPONENTS	2
2	FRONT SHIELD & COMPONENTS	3
3	FRONT SHAFT & COMPONENTS	4-5
4	SHIFTING LINKAGES & COMPONENTS	6-7
5	SIDE SHIELDS & COMPONENTS	8
6	GEAR BOX SHIELD & COMPONENTS	9
7	SIDE SHAFT & COMPONENTS	10-11
8	GEAR BOX SPROCKETS & COMPONENTS	12
9	BEATER & COMPONENTS	13
10	WHEEL & HUB COMPONENTS	14-15
11	FRONT PANEL & COMPONENTS	16-17
12	FRONT FRAME & COMPONENTS	18-19
13	REAR FRAME & COMPONENTS	20-21
14	FRONT SPLASH GUARD	22-23
15	SIDE PANEL & COMPONENTS	24-25
16	FLOOR	26-27
17	CHAIN	28-29
18	PTO	30-31
19	GEAR BOX	32-33
20	OPTIONAL REAR PAN (MSO3B3)	34-35
21	OPTIONAL TOP BEATER (MSOTB175)	36-39
22	OPTIONAL TOP BEATER (MSOTB175)	40-41
23	OPTIONAL HYDRAULIC ENDGATE (MSO130HE)	42-43
*	PARTS NOTES	44



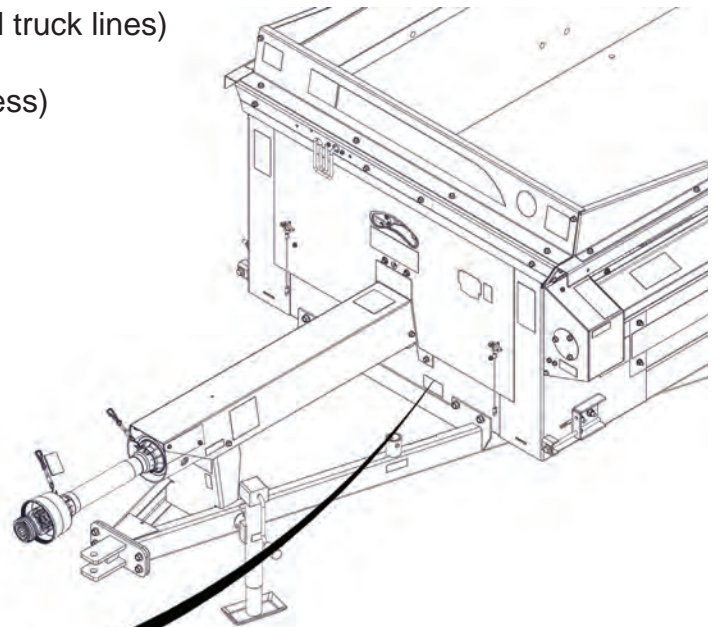
INSTRUCTIONS FOR ORDERING PARTS

All service parts should be ordered through your authorized H&S dealer. Your Dealership will be able to give you faster service if you will provide them with the following:

1. All references to left or right apply to the machine as viewed from the rear.
2. Parts should not be ordered from illustration only. Please order complete part number.
3. If your dealer has to order parts - give shipping instructions:

VIA truck - large pieces (please specify local truck lines)

VIA United Parcel Service (include full address)



H&S MFG. CO. INC.	
MARSHFIELD, WIS.	
MOD. NO.	<input type="text"/>
SER. NO.	<input type="text"/>
DESCR.	<input type="text"/>

PLEASE RECORD NUMBERS FOR YOUR UNIT FOR QUICK REFERENCE

H&S IS CONTINUALLY STRIVING TO IMPROVE ITS PRODUCTS

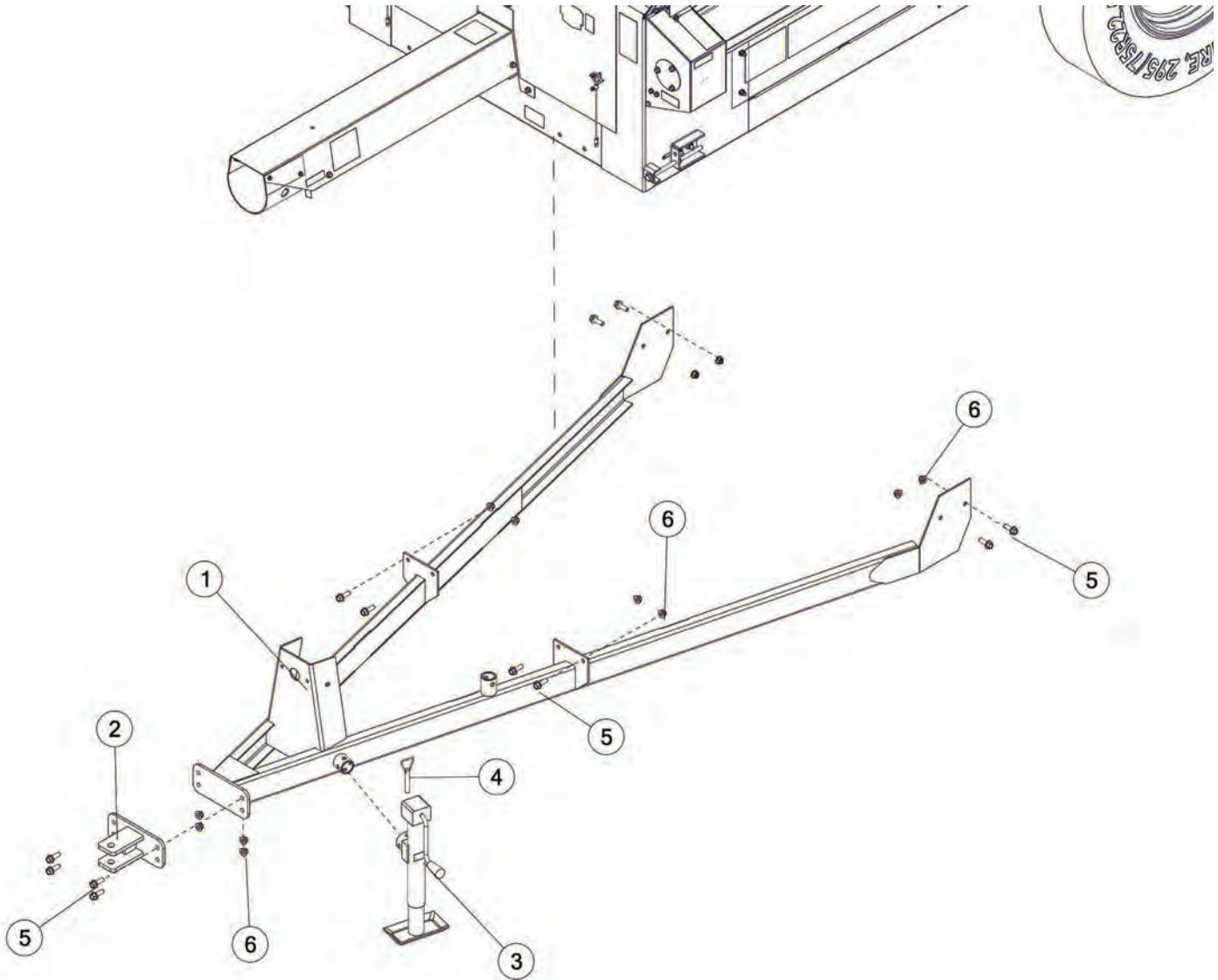
We must, therefore, reserve the right to make improvements or changes whenever it becomes practical to do so, without incurring any obligation to make changes or additions to the equipment previously sold.





FIGURE 1

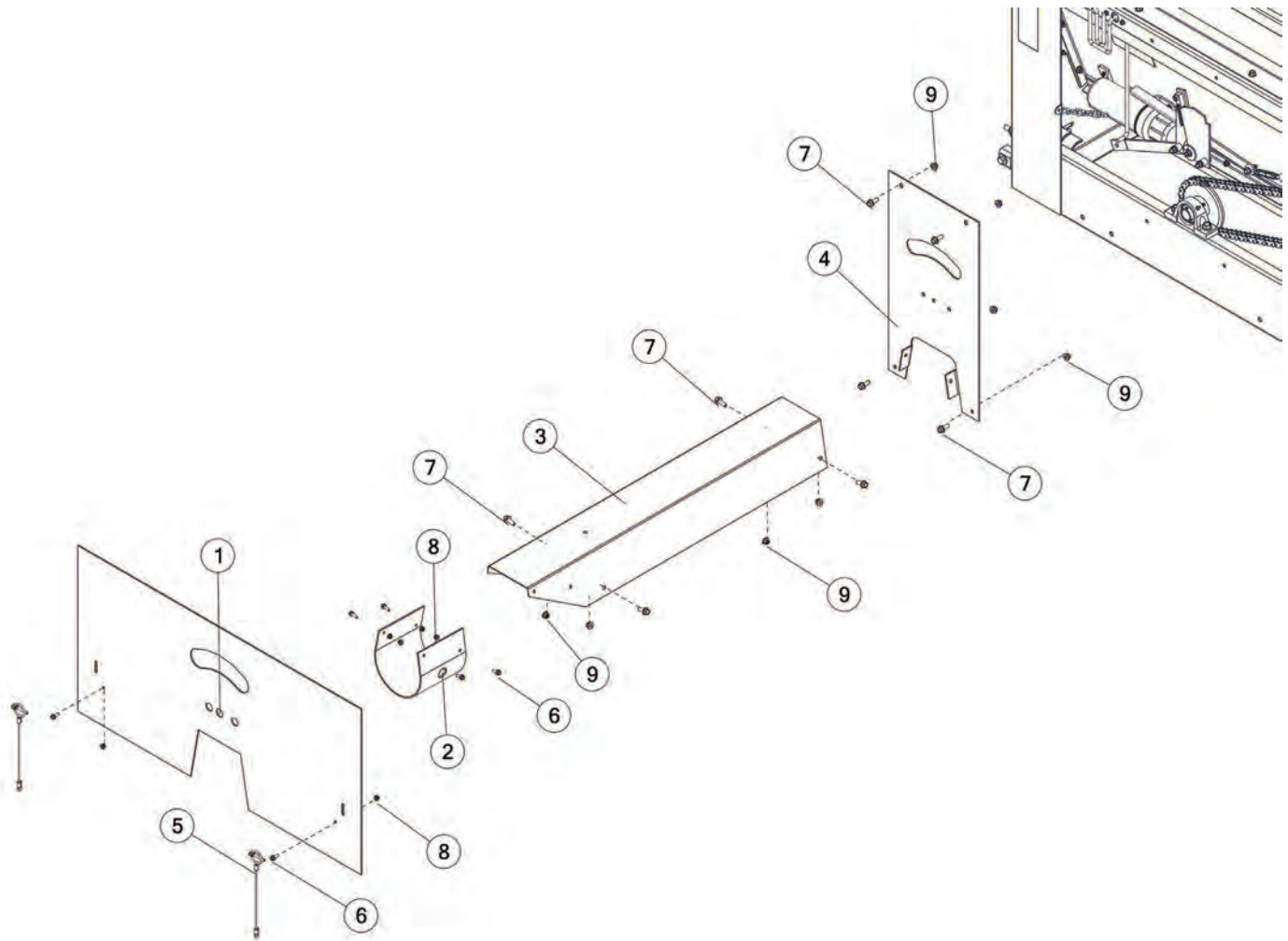
FRONT POLE & COMPONENTS



REF #	PART #	DESCRIPTION	QTY
1	92138	POLE	1
2	91186	HITCH	1
3	12N116	SIDE WIND JACK, 2000#	1
4	12N117	JACK PIN	1
5	YBFB16150	BOLT FLANGE, 1/2 X 1-1/2 G5	12
6	YNFG16003	NUT FLANGE, 1/2 GF	12
*	SC10100	SAFETY CHAIN, 10,100 LB	1



FIGURE 2 FRONT SHIELD & COMPONENTS



REF #	PART #	DESCRIPTION	QTY
1	91654B	FRONT POLY SHIELD W/DECALS	1
2	F54	PTO RUBBER	1
3	91639B	FRONT SHAFT SHIELD W/DECALS	1
4	91636	FRONT PANEL	1
5	S122	LYNCH PIN W/CABLE	2
6	YBFB08075	BOLT FLANGE, 1/4 X 3/4 G5	6
7	YBFB12003	BOLT FLANGE, 3/8 X 1 G5 ZC	8
8	YNFG08010	NUT FLANGE , 1/4 GF	6
9	YNFG12006	NUT FLANGE, 3/8 GF	8





FIGURE 3
FRONT SHAFT & COMPONENTS

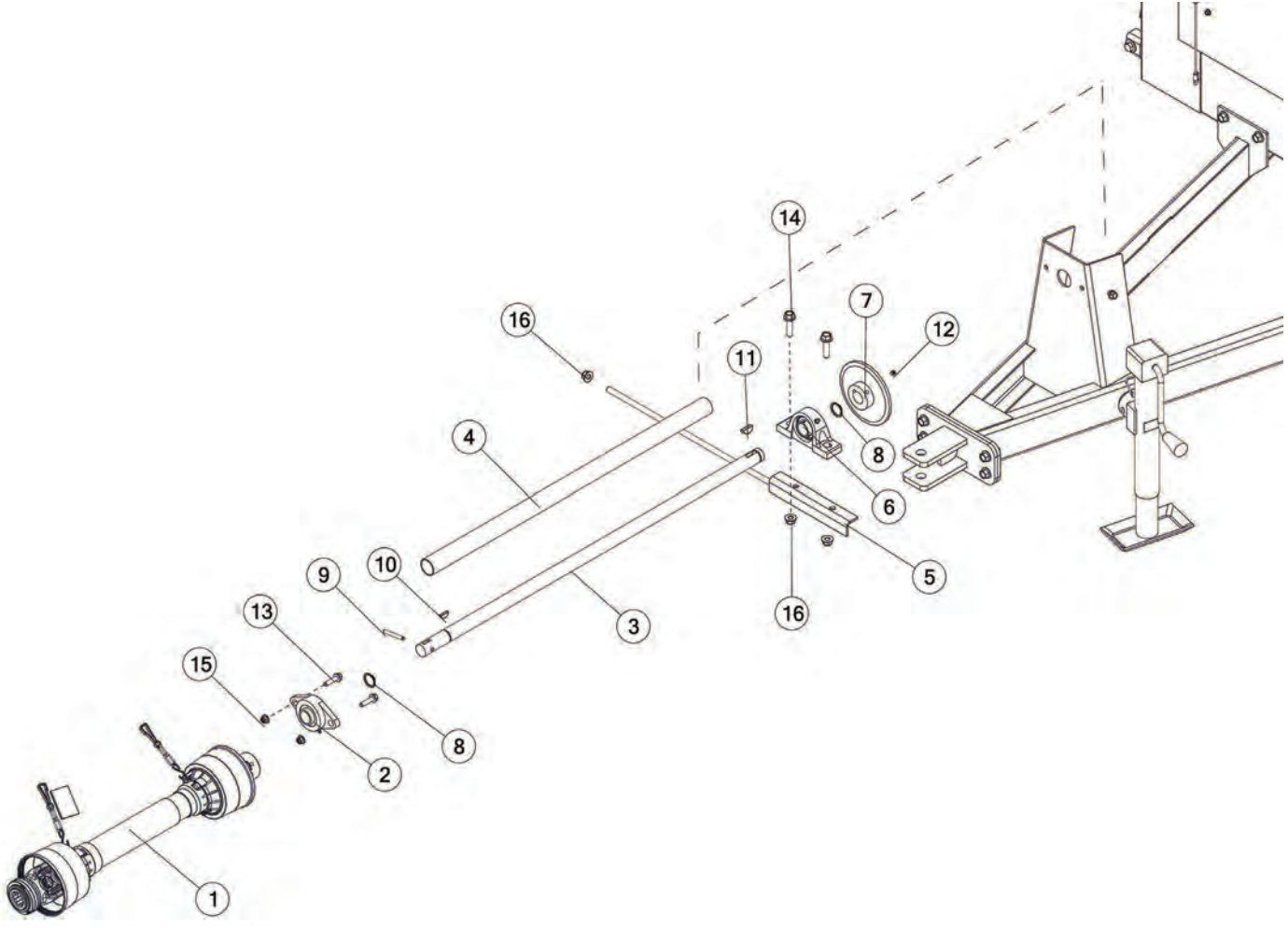




FIGURE 4 SHIFTING LINKAGES & COMPONENTS

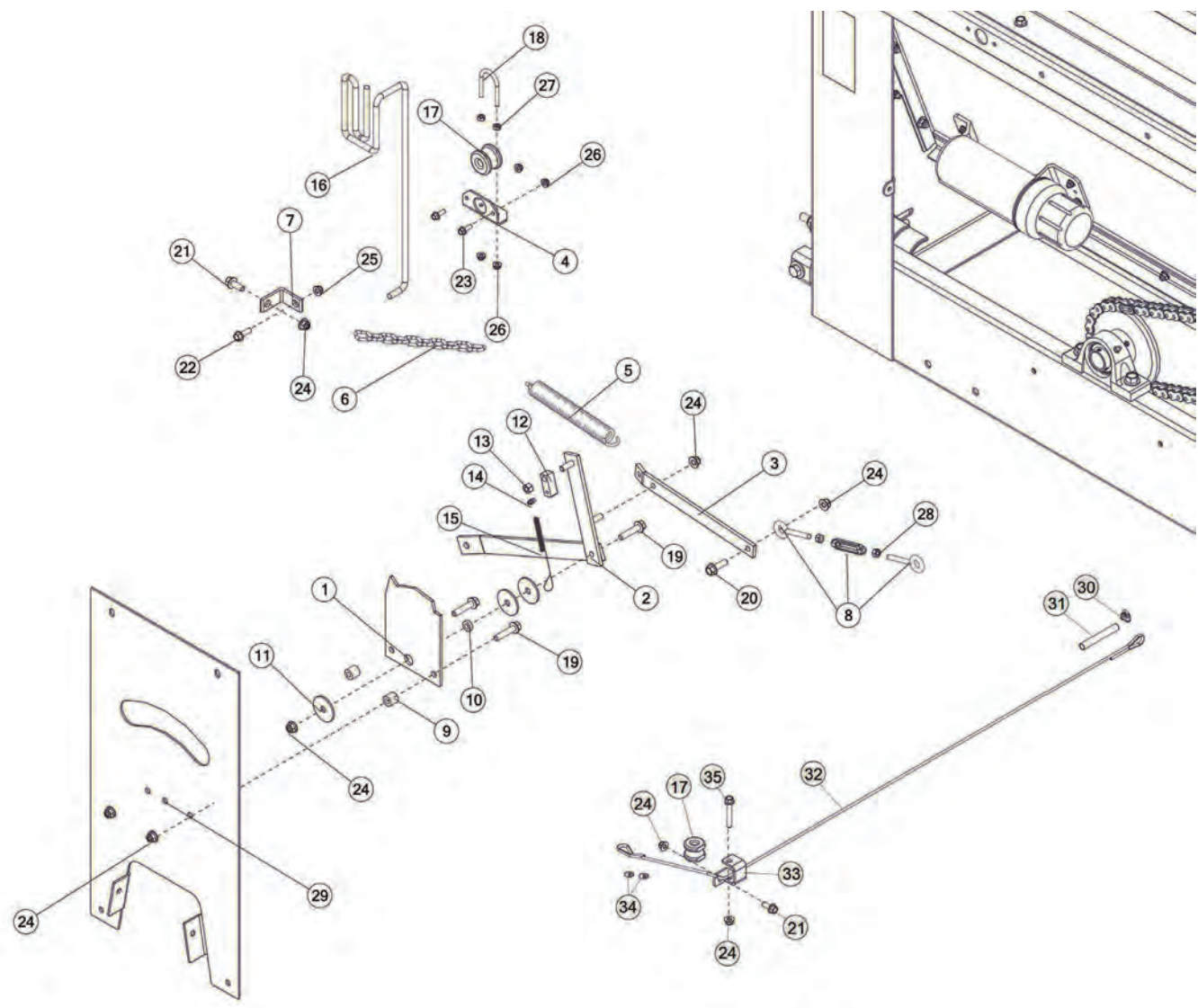




FIGURE 4

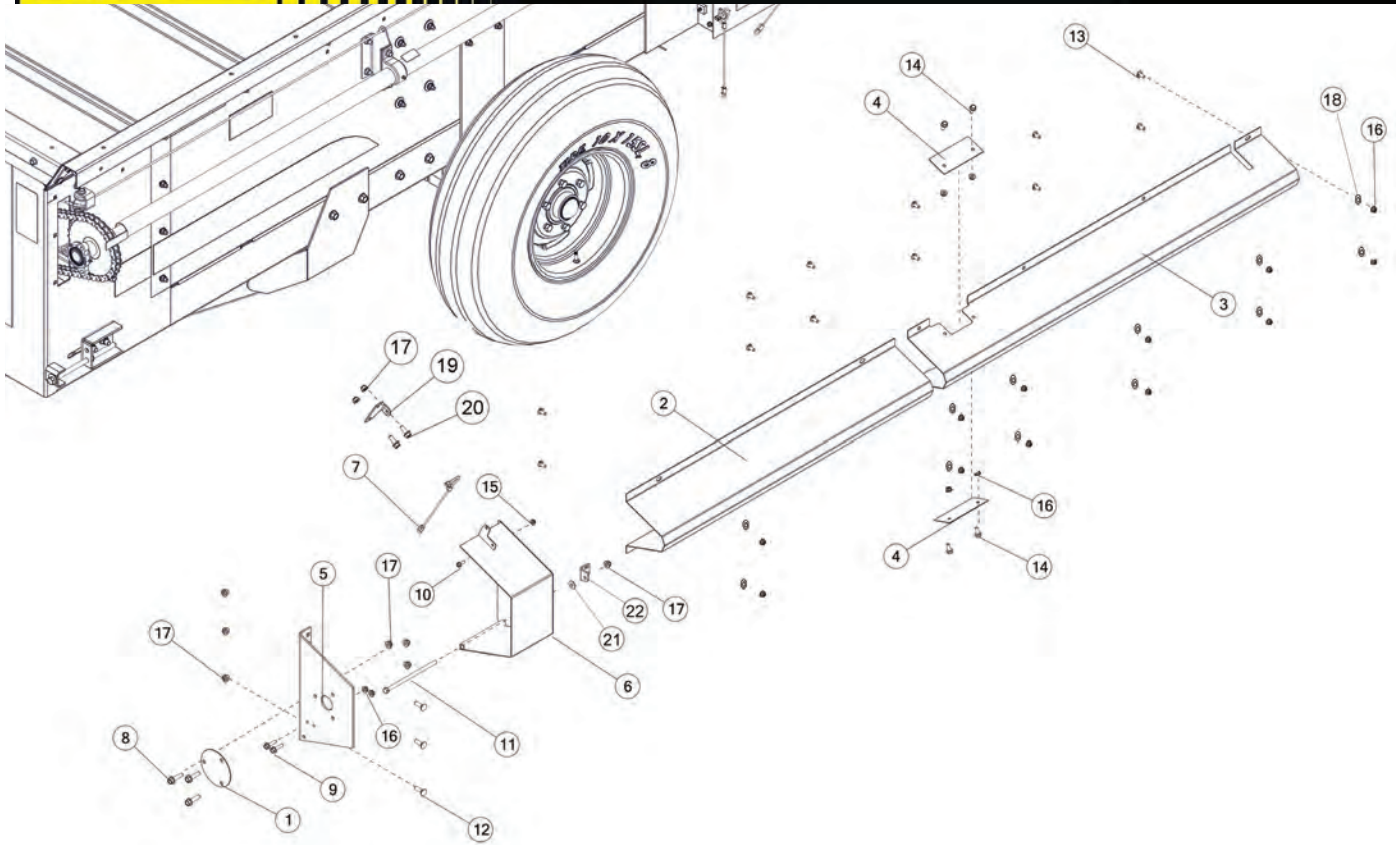
SHIFTING LINKAGES & COMPONENTS

REF #	PART #	DESCRIPTION	QTY
1	23N283	STOP BRACKET	1
2	23N280	SHIFTER LEVER	1
3	23N281	PIVOT LINK BRACKET	1
4	71972	CABLE GUIDE BRACKET, FRONT	1
5	10R14	COIL SPRING	1
6	76054	CHAIN, 10 LINKS	1
7	17G177	SPRING MOUNT BRACKET	1
8	F84	TURNBUCKLE	1
9	98144	SPACER	2
10	23N297	TUBE	1
11	YWCU12005	WASHER	3
12	23N282	SHIFTER DOG BRACKET, 5/8	1
13	YNRL12005	NUT HEX, REVERSIBLE-SIDE LOCK, 3/8	1
14	G89	STRAIGHT ZERK, 1/4-28 X 90	1
15	23N284	SHIFTER DOG SPRING	1
16	23N183	ROPE, .38 X 180	1
17	F33	ROPE GUIDE	2
18	YBPU08005	U-BOLT, 1/4 X 3/4	1
19	YBFB12175	BOLT FLG, 3/8 X 1-3/4 G5	3
20	YBFB12125	BOLT FLANGE, 3/8 X 1-1/4 G5	1
21	YBFB12003	BOLT FLANGE, 3/8 X 1 G5 ZC	2
22	YBFB10001	BOLT FLANGE, 5/16 X 1 G5	1
23	YBFB08075	BOLT FLANGE, 1/4 X 3/4 G5	2
24	YNFG12006	NUT FLANGE, 3/8 GF	8
25	YNFG10005	NUT FLANGE, 5/16 GF	1
26	YNFG08010	NUT FLANGE, 1/4 GF	4
27	YNHX08005	NUT HEX, 1/4 G5	2
28	YNHX10015	NUT, HEX, 5/16-18, NA, G2, ZC, LH	2
29	91636	FRONT PANEL	1
30	BFR220	CABLE CLAMP, 3/16	1
31	72120	HEAT SHRINK	1
32	98662	CABLE	1
33	17G55	ROPE GUIDE BRACKET	1
34	71279	SLEEVE	2
35	YBFB12250	BOLT FLANGE, 3/8 X 2-1/2 G5	1





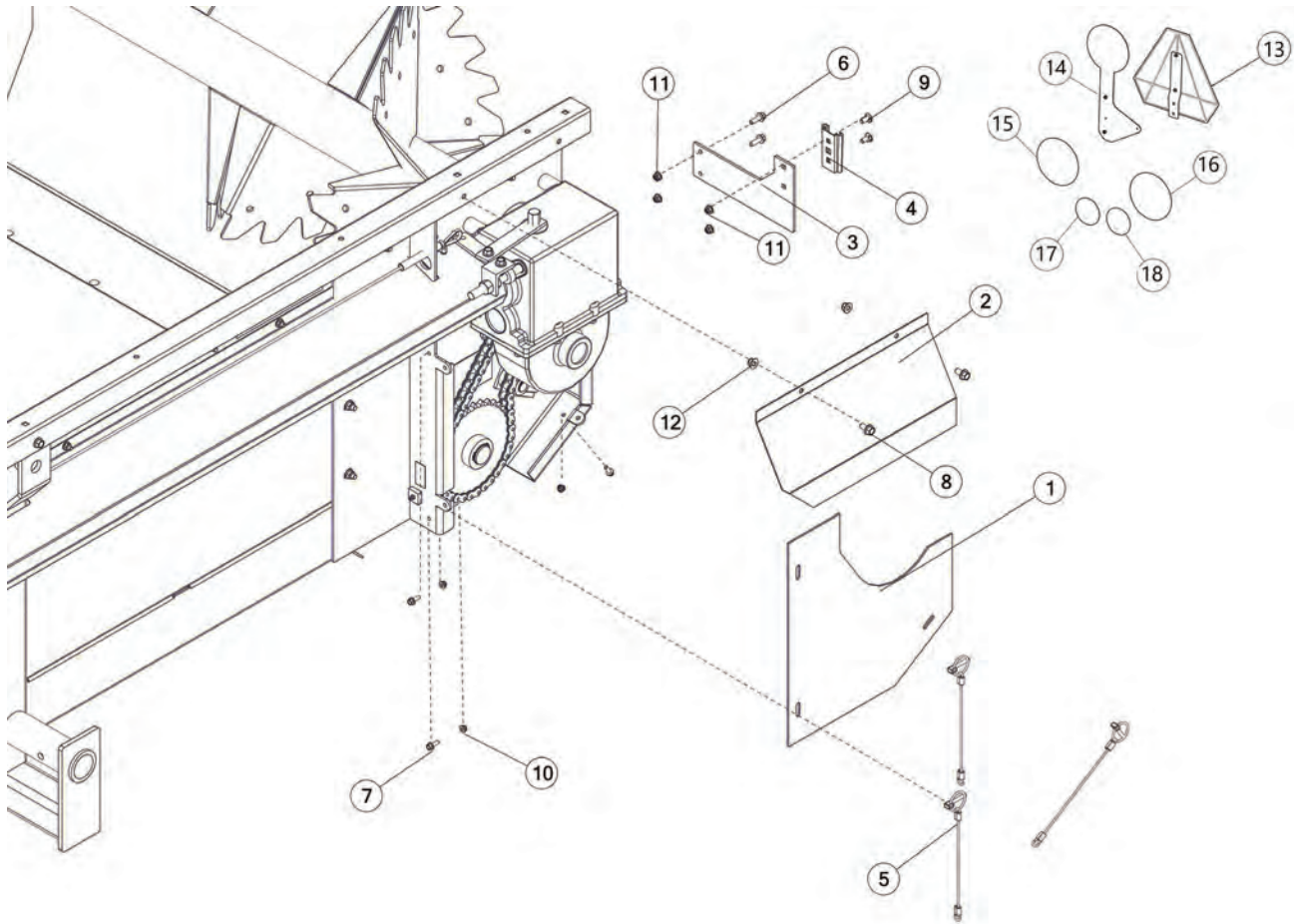
FIGURE 5 SIDE SHIELDS & COMPONENTS



REF #	PART #	DESCRIPTION	QTY
1	91267	SHAFT COVER	1
2	91217B	SIDE SHAFT SHIELD, FRONT W/DECALS	1
3	92164B	SIDE SHAFT SHIELD, REAR W/DECALS	1
4	92184	SIDE SHAFT SHIELD COVER	2
5	91266B	BEARING PLATE W/DECALS	1
6	91270B	FRONT SPROCKET SHIELD W/DECALS	1
7	S122	LYNCH PIN W/CABLE	1
8	YBFB12150	BOLT FLANGE, 3/8 X 1-1/2 G5	3
9	YBFB10125	BOLT FLANGE, 5/16 X 1-1/4 G5	2
10	YBFB08075	BOLT FLANGE, 1/4 X 3/4 G5	1
11	YBHH12246	BOLT HEX, 3/8-16 X 7-1/2, G5, ZC	1
12	YBCR12020	BOLT CARRIAGE, 3/8 X 1-1/4 G5	3
13	YBCR10030	BOLT CARRIAGE, 5/16 X 3/4 G5	12
14	YBFB10075	BOLT FLANGE, 5/16 X 3/4 G5	4
15	YNFG08010	NUT FLANGE , 1/4 GF	1
16	YNFG10005	NUT FLANGE, 5/16 GF	18
17	YNFG12006	NUT FLANGE, 3/8 GF	8
18	YWFL10005	WASHER, FLAT, 5/16 USS	12
19	93352	SHIELD ANGLE	1
20	YBFB12003	BOLT FLANGE, 3/8 X 1 G5	2
21	YWFL12005	WASHER FLAT, 3/8 G5	1
22	97952	SHIELD BRACKET	1



FIGURE 6 GEARBOX SHIELDS & COMPONENTS

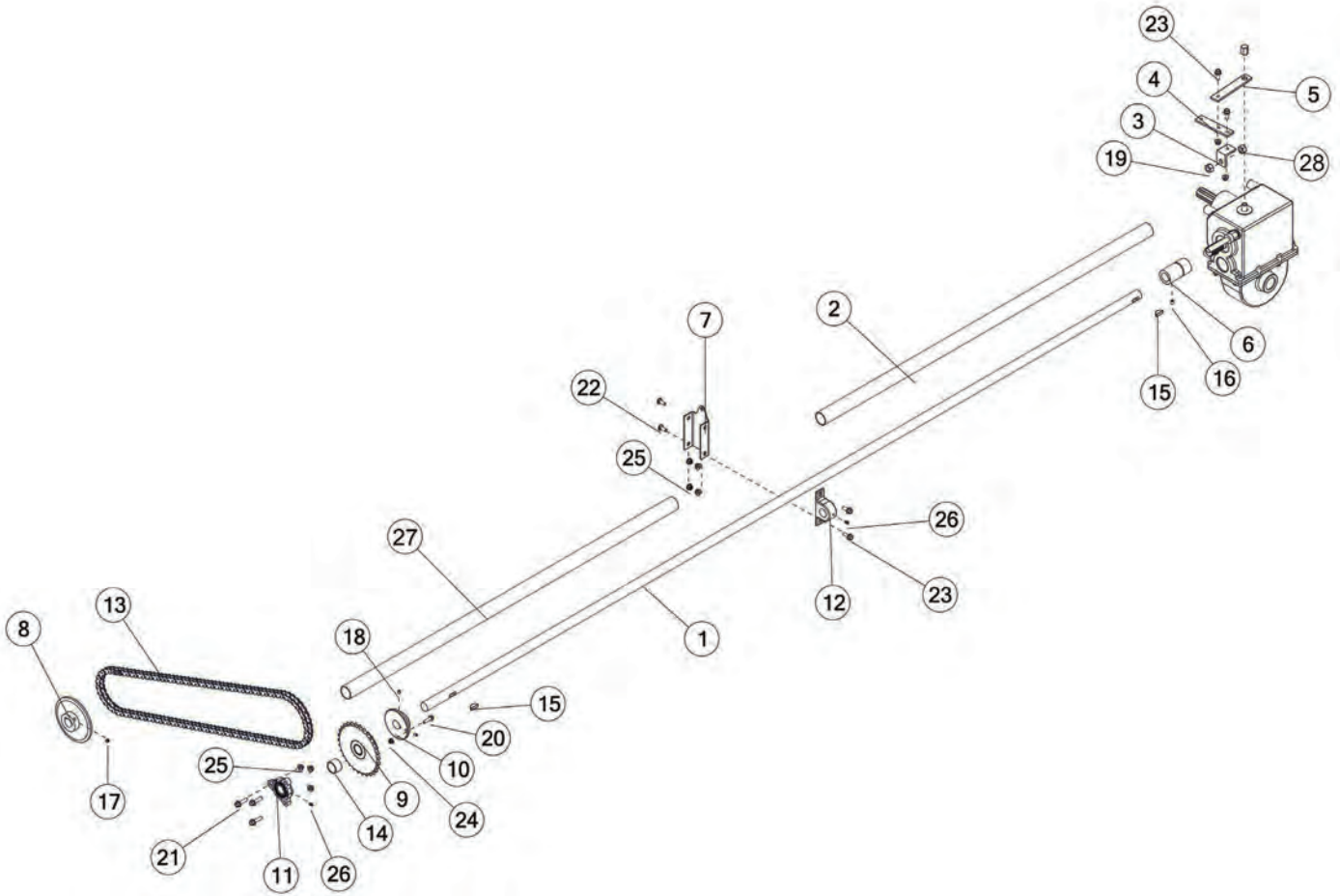


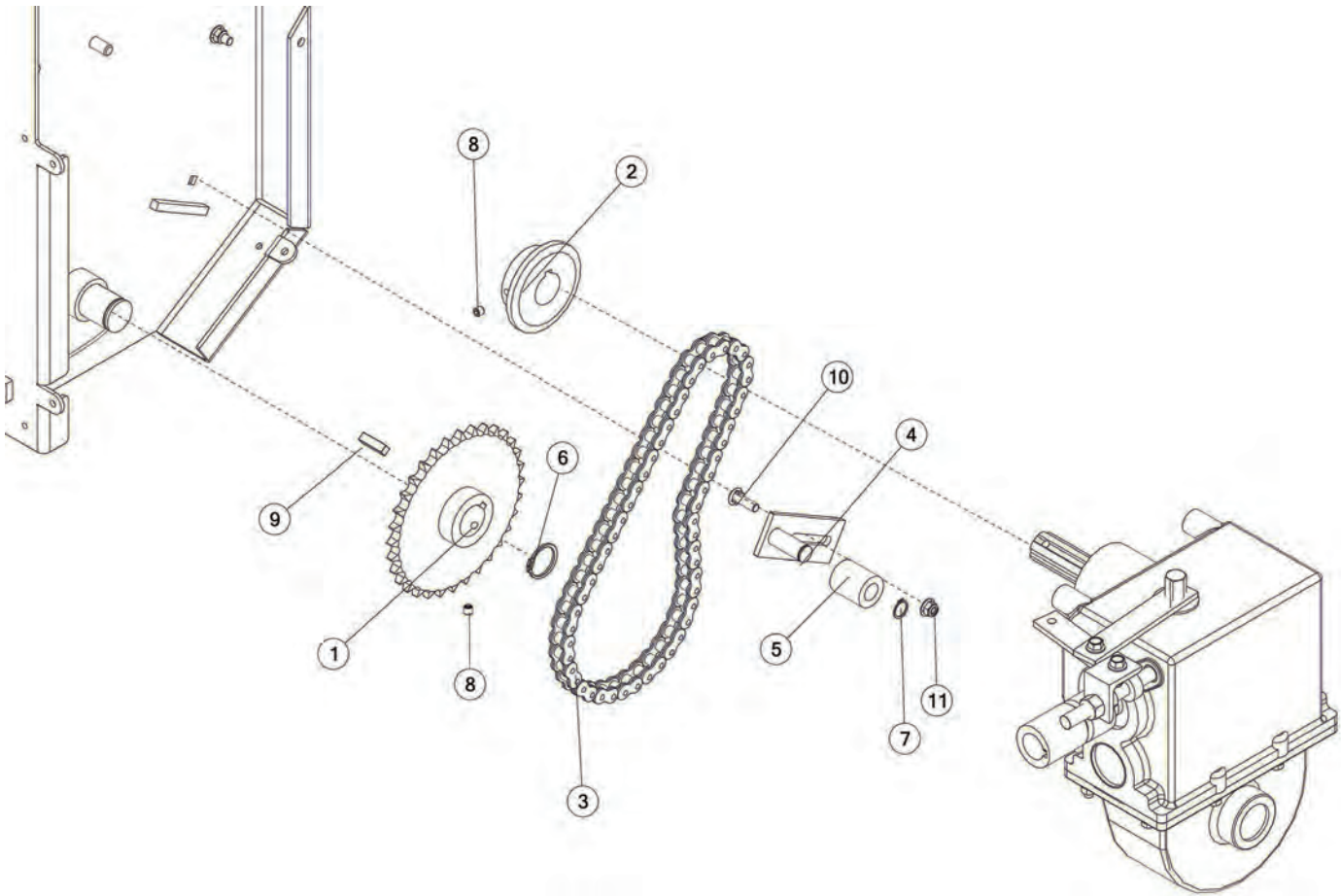
REF #	PART #	DESCRIPTION	QTY
1	91755B	REAR CHAIN SHIELD W/DECALS	1
2	91760B	GEARBOX SHIELD W/DECALS	1
3	91761B	SMV BRACKET W/DECALS	1
4	F97	SMV BRACKET	1
5	S122	LYNCH PIN W/CABLE	3
6	YBFB10001	BOLT FLANGE, 5/16 X 1 G5	2
7	YBFB08075	BOLT FLANGE, 1/4 X 3/4 G5	3
8	YBFB12075	BOLT FLANGE, 3/8 X 3/4 G5	2
9	YBCR10030	BOLT CARRIAGE, 5/16 X 3/4 G5	2
10	YNFG08010	NUT FLANGE , 1/4 GF	3
11	YNFG10005	NUT FLANGE, 5/16 GF	4
12	YNFG12005	NUT HEX, REVERSIBLE-SIDE LOCK, 3/8	2
13	BFR723	SMV KIT	1
14	88414	SIGN BRACKET	1
15	88413	DECAL NOTICE 30KM/H	1
16	88412	DECAL NOTICE 20MILE/H	1
17	HS103288	DECAL NOTICE	1
18	HS103201	DECAL NOTICE	1





FIGURE 7 SIDE SHAFT & COMPONENTS



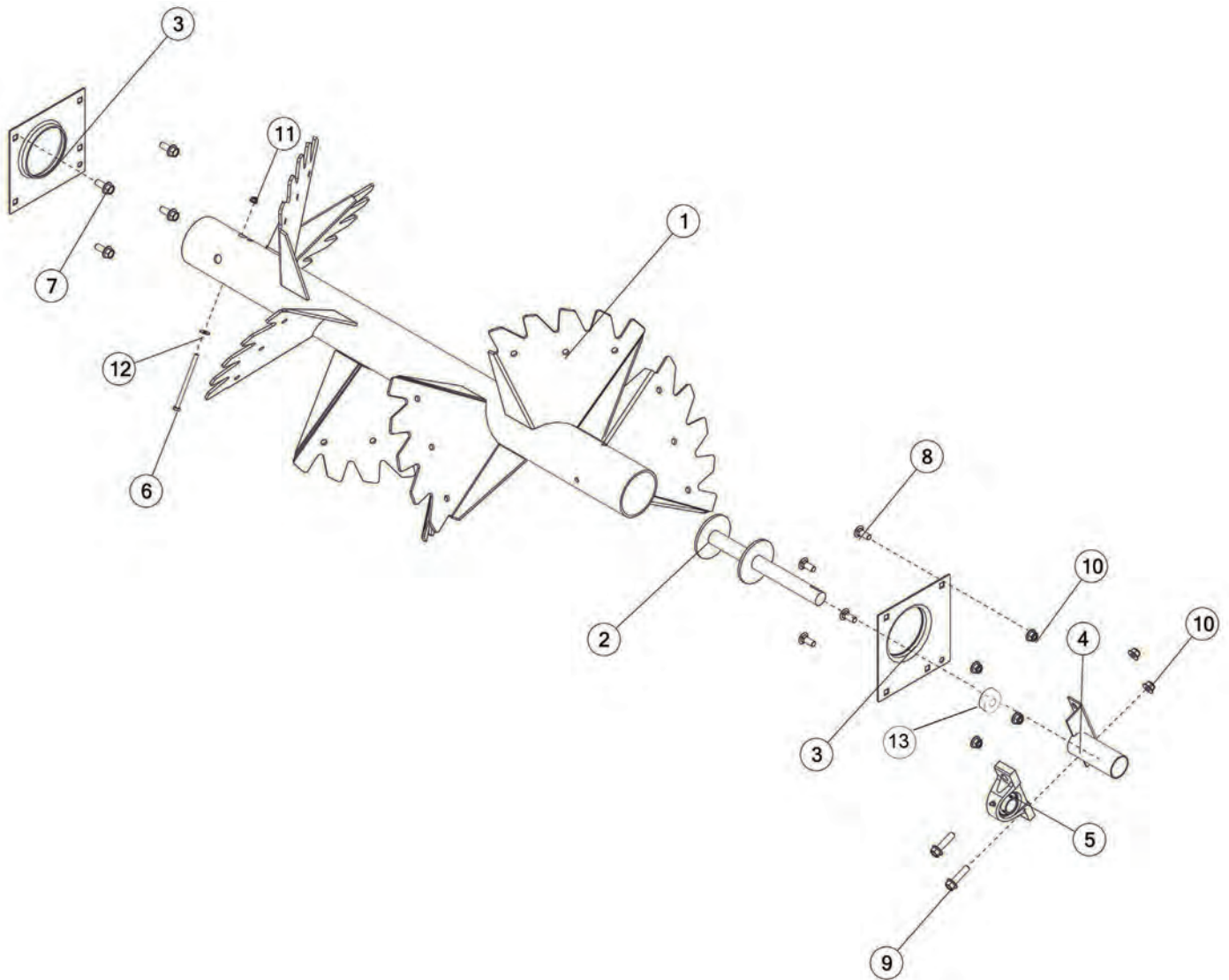


REF #	PART #	DESCRIPTION	QTY
1	69759	SPROCKET, 60-B-32	1
2	17G67	SPROCKET, 60-B-16	1
3	17G66	ROLLER CHAIN, #60, 54P	1
4	L10R35	CHAIN TIGHTENER BRACKET	1
5	23N238	ROLLER CHAIN TIGHTENER	1
6	12V62	SNAP RING, 1-1/2IN HD EXTERNAL	1
7	10R32	SNAP RING, EXTERNAL .7	1
8	YSKP12025	SCREW SET SOCKET, KNURLED CUP PT, 3/8 X 3/8	2
9	A32	SQUARE KEY W/ ROUND ENDS, 3/8 X 1-3/8	1
10	YBCR12020	BOLT CARRIAGE, 3/8 X 1-1/4 G5	1
11	YNFG12006	NUT FLANGE, 3/8 GF	1



FIGURE 9

BEATER & COMPONENTS



REF #	PART #	DESCRIPTION	QTY
1	17G5	BEATER	1
2	17G6	BEATER STUB SHAFT	1
3	91628	ANTI WRAP GUARD	2
4	17G8	STUB SHAFT SHIELD	1
5	17G7	PILLOW BLOCK BEARING	1
6	YBHH10130	BOLT HEX, 5/16 X 5 G5	1
7	YBFB16100	BOLT FLANGE, 1/2 X 1 G5	4
8	YBCR16015	BOLT CARRIAGE, 1/2 X 1-1/4 G5	4
9	YBFB16200	BOLT FLANGE, 1/2 X 2 G5	2
10	YNFG16003	NUT FLANGE, 1/2 GF	6
11	YNFG10005	NUT FLANGE, 5/16 GF	1
12	YWFL10005	WASHER, FLAT, 5/16 USS	1
13	93354	SPACER	1





FIGURE 10

WHEEL & HUB COMPONENTS

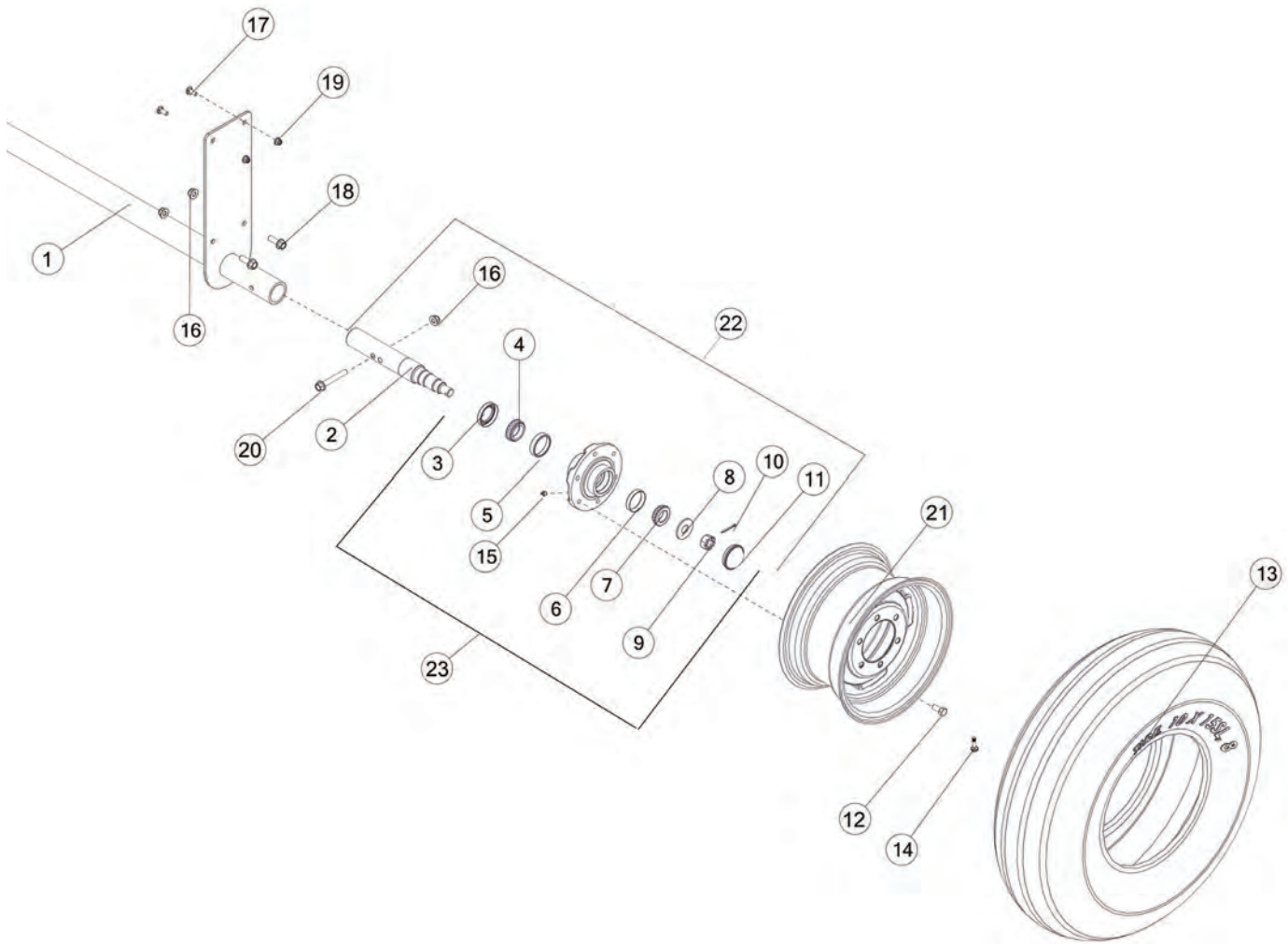




FIGURE 11

FRONT PANEL & COMPONENTS

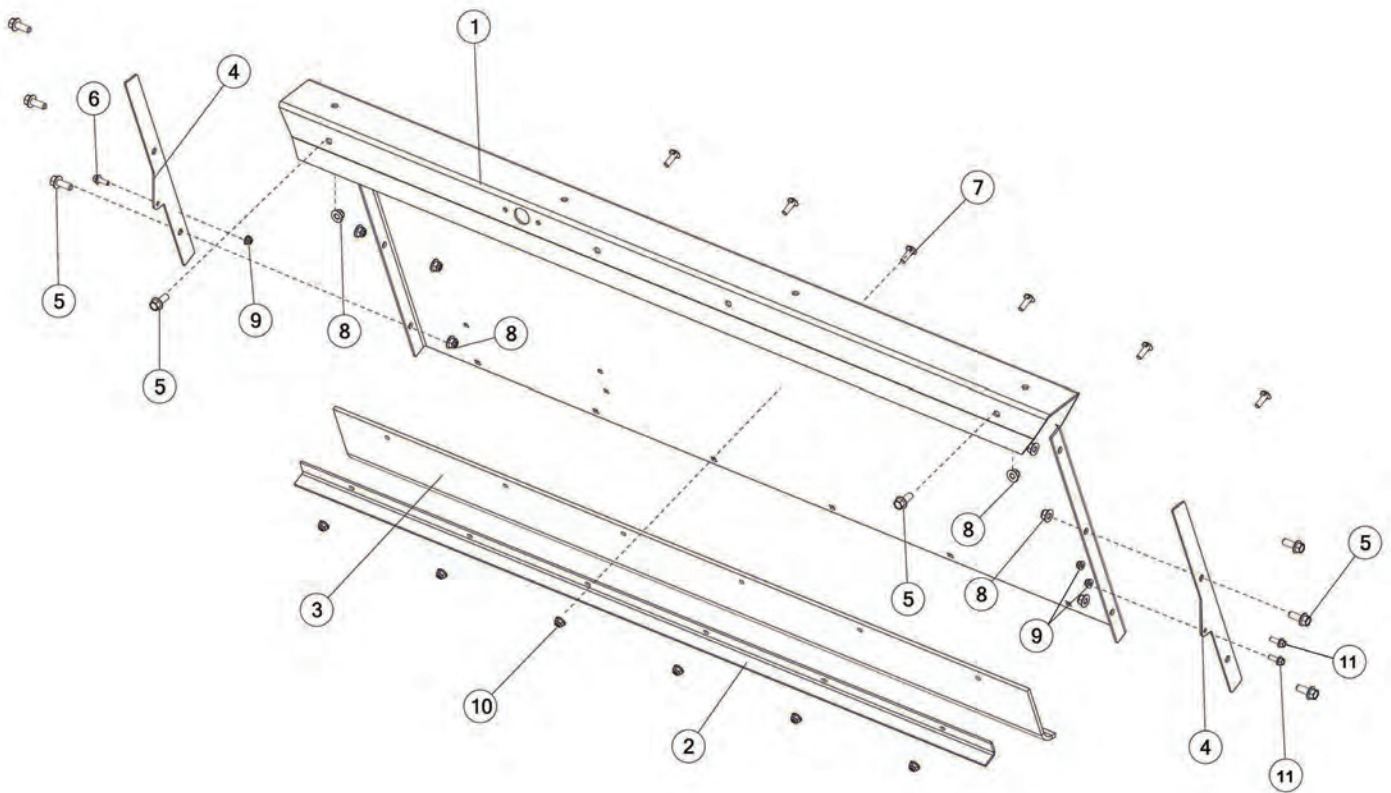




FIGURE 12 FRONT FRAME & COMPONENTS

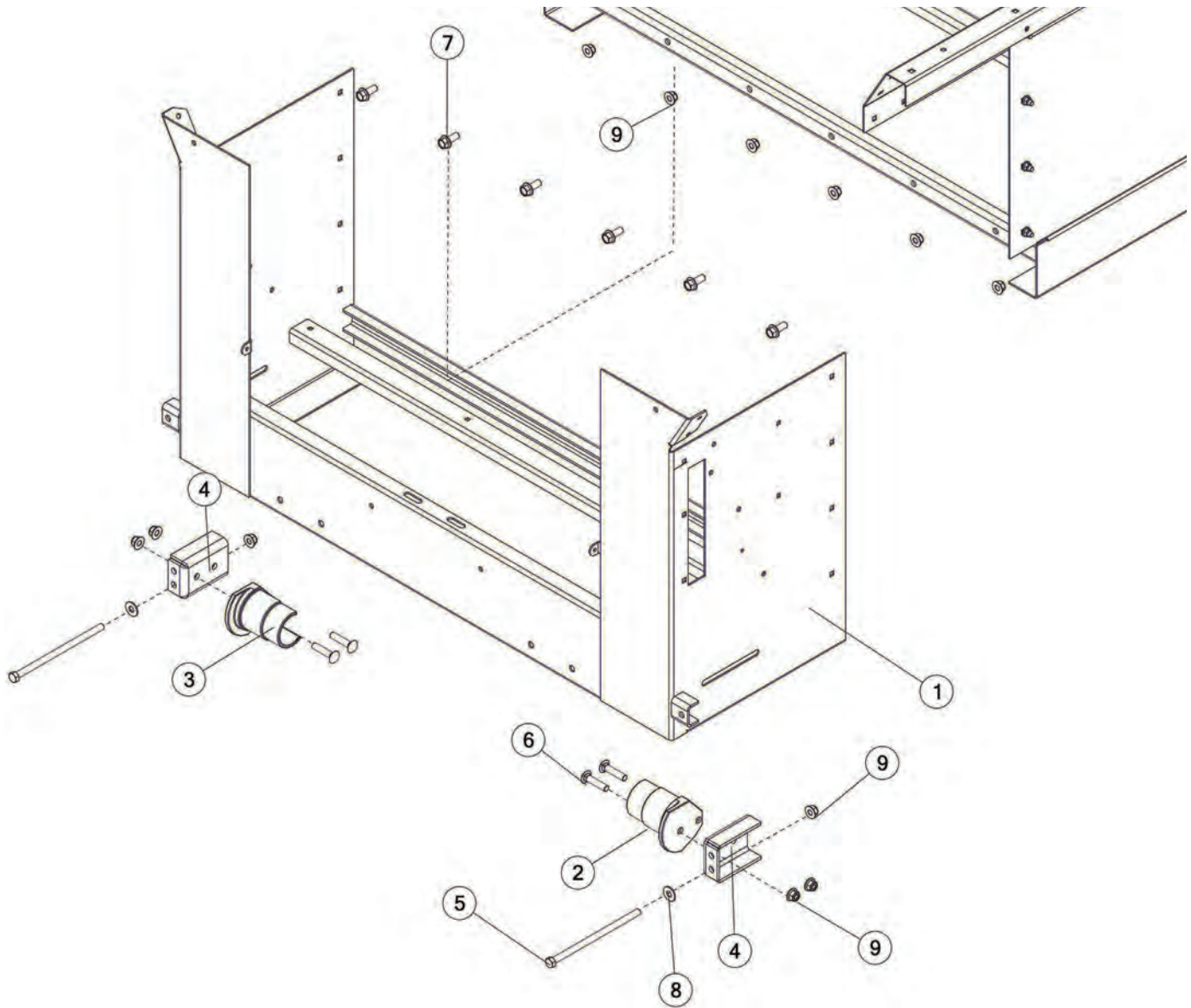




FIGURE 13 REAR FRAME & COMPONENTS

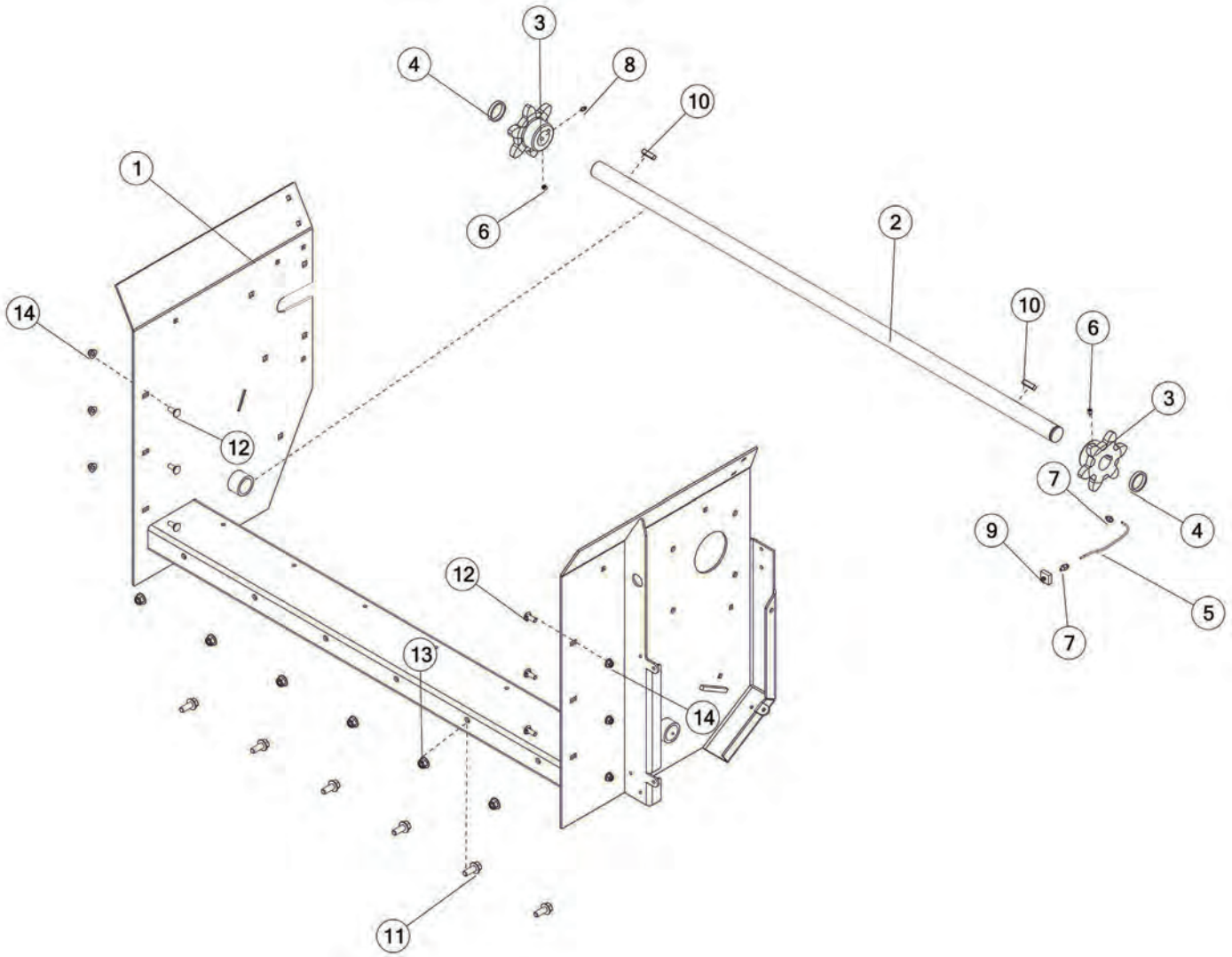




FIGURE 14
FRONT SPLASH GUARD

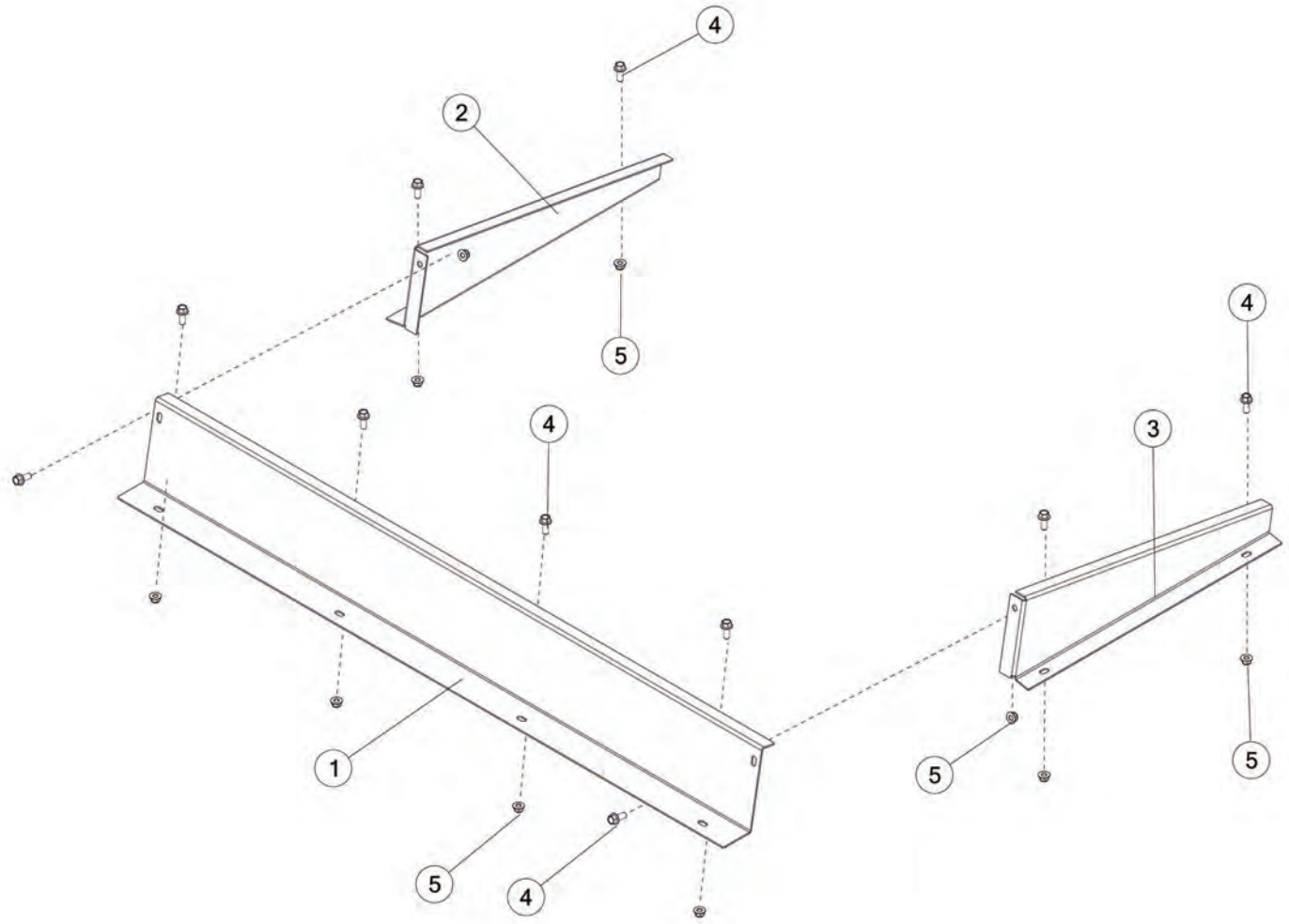
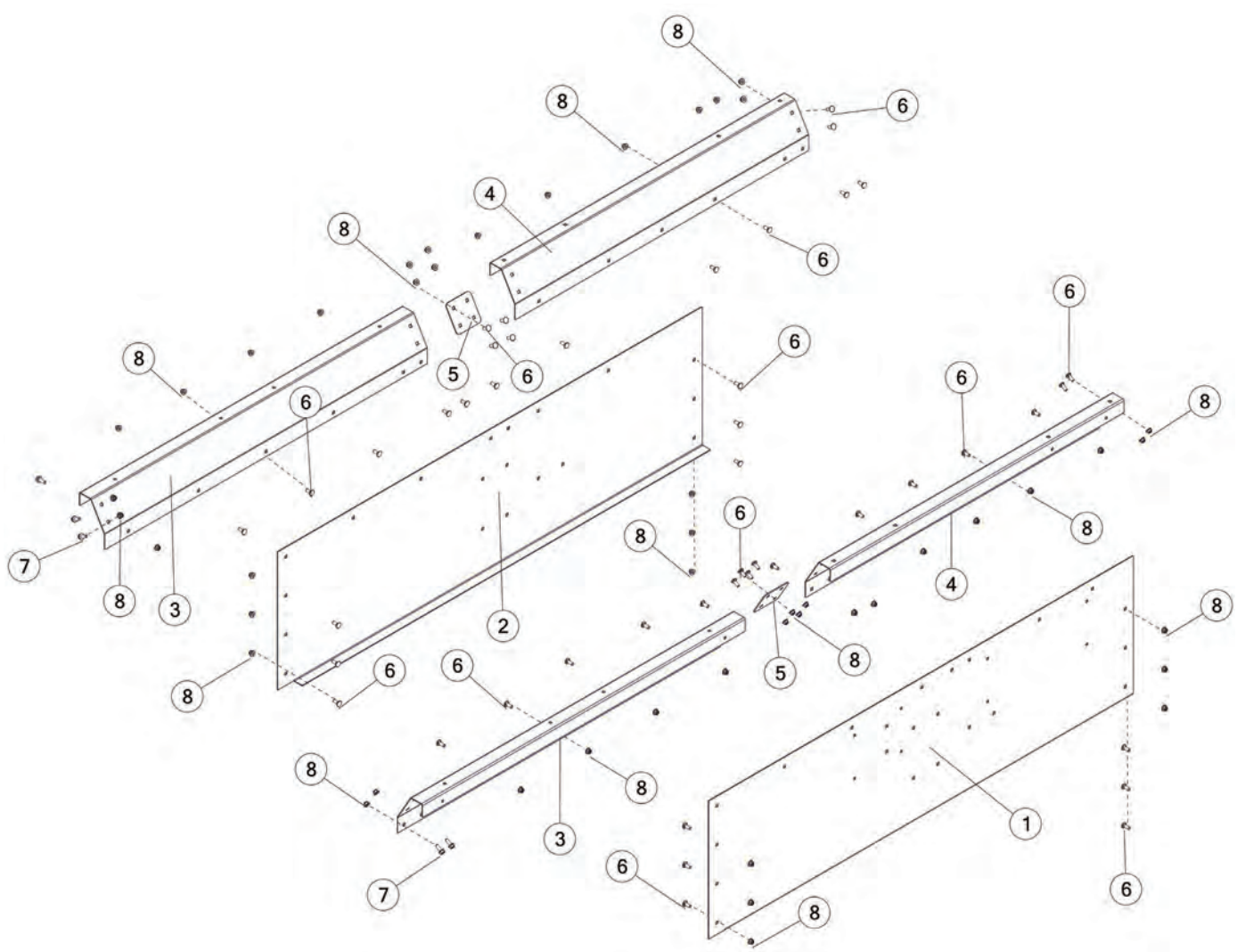
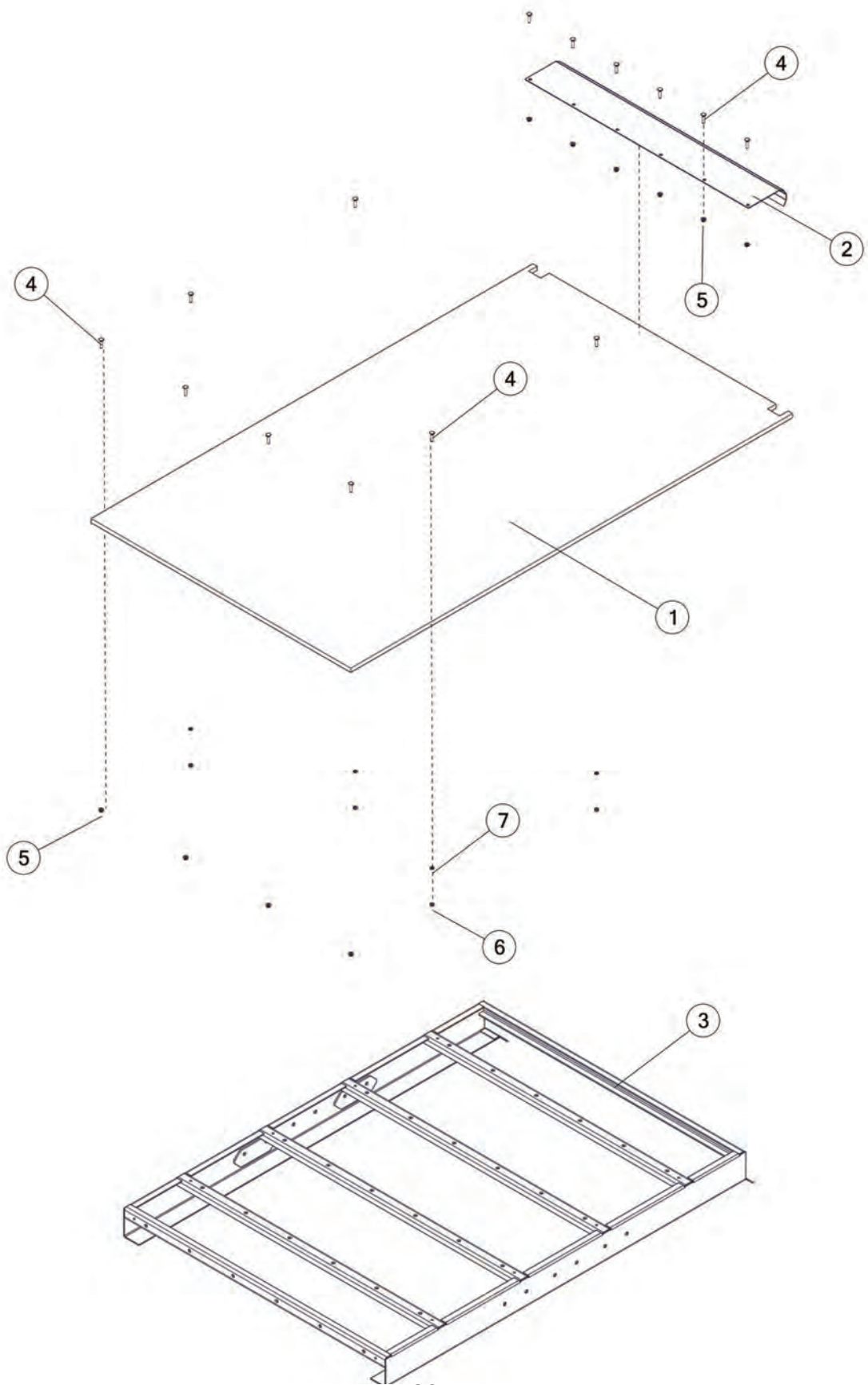


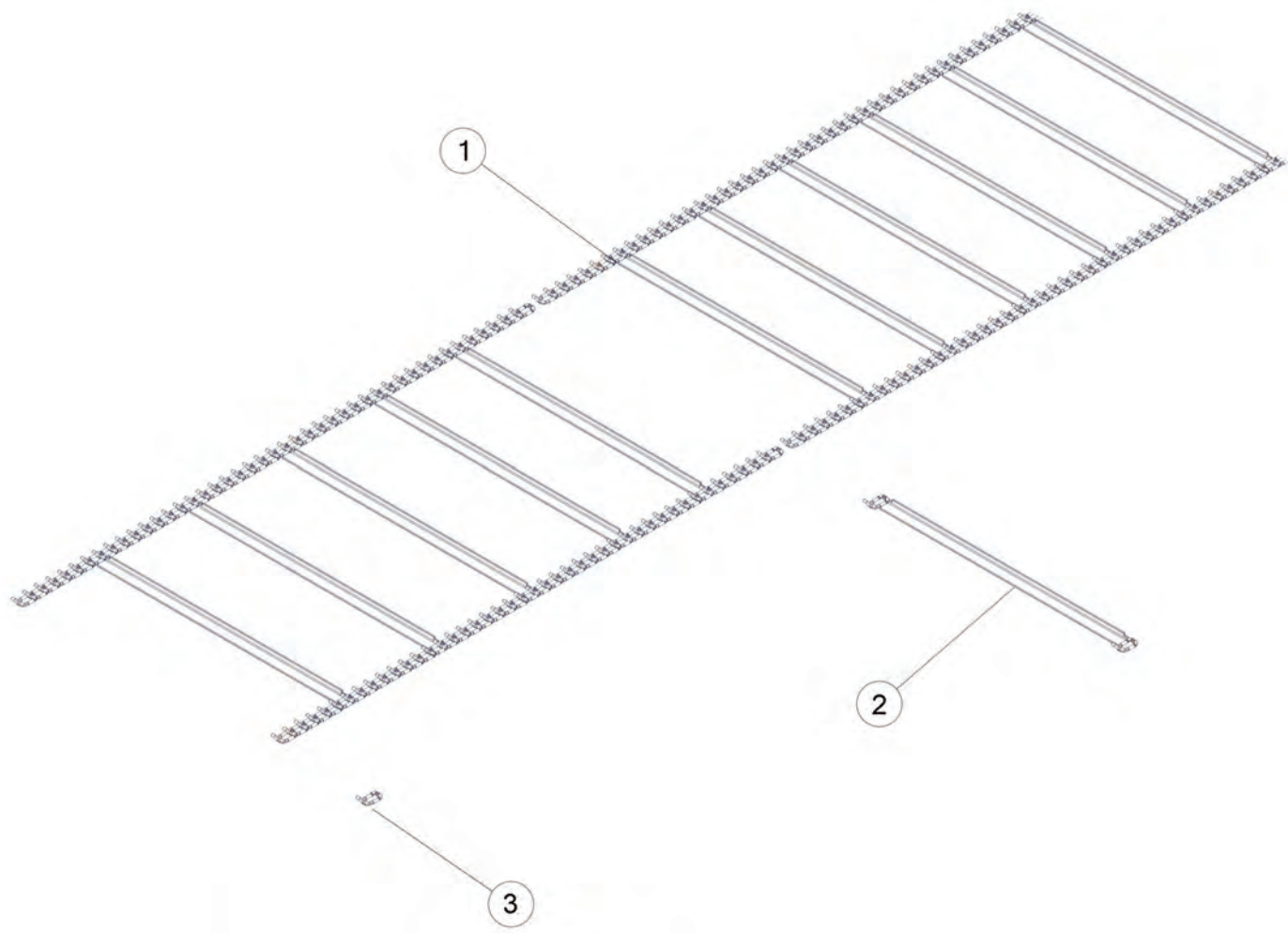


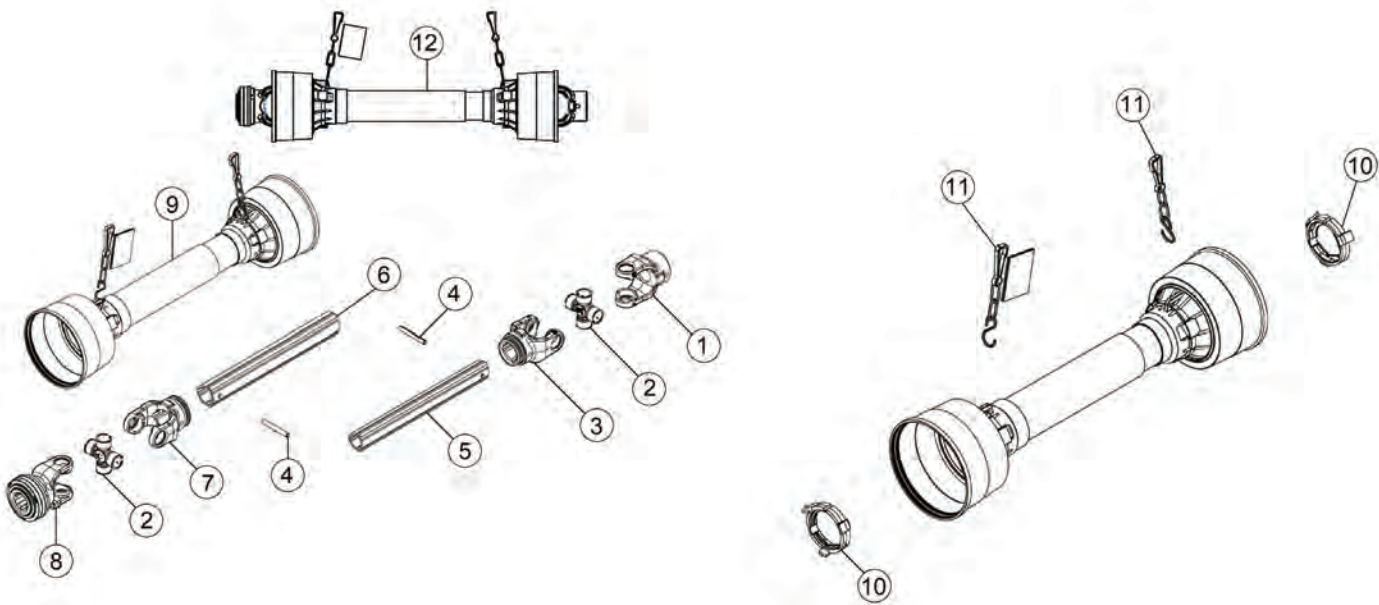
FIGURE 15

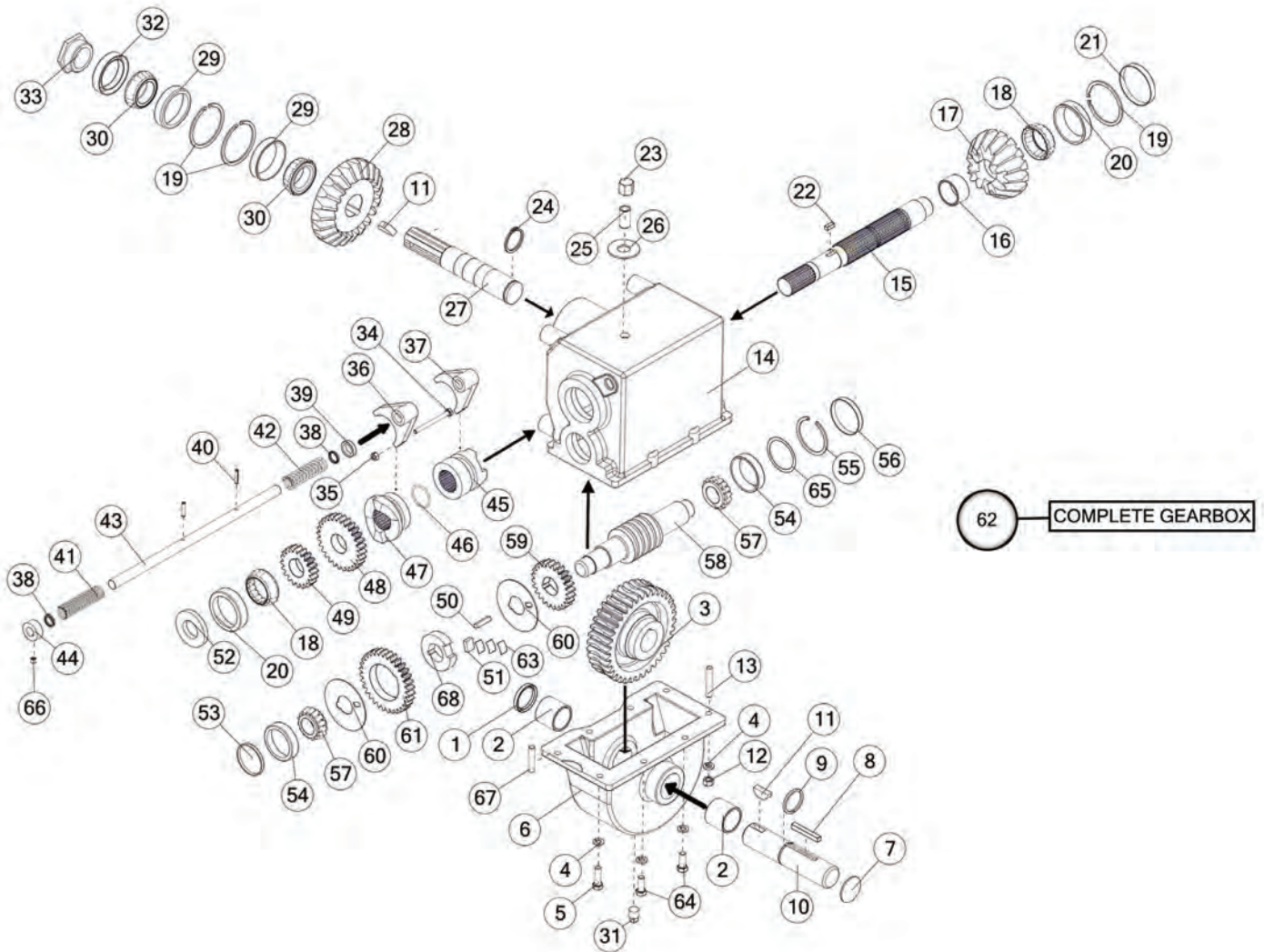
SIDE PANEL & COMPONENTS













REF #	PART #	DESCRIPTION	QTY
1	17G133	SEAL	1
2	17G134	BUSHING, 1-3/4 X 1-1/2 X 1-1/2	2
3	17G137	WORM GEAR 36T	1
4	YWLO12005	WASHER LOCK, 3/8	8
5	YBHH12035	BOLT HEX, 3/8 X 1-1/4 G5	2
6	17G107	LOWER GEARBOX HOUSING	1
7	17G139	CAP	1
8	17G132	SQUARE KEY, 5/16 X 2-1/4	1
9	17G135	SNAP RING, EXTERNAL 1-1/2IN	1
10	17G136	WORM GEAR OUTPUT SHAFT	1
11	5B9	WOODRUFF KEY, 3/8 X 1-1/4	2
12	YNHX12005	NUT HEX, 3/8 G2	2
13	17G140	BOLT STUD, 3/8 X 1-1/2	2
14	17G99	UPPER GEARBOX HOUSING	1
15	17G108A	INPUT SHAFT	1
16	17G111	BUSHING, 1-3/4 X 1-1/2 X 1	1
17	17G110	BEVEL GEAR, 16T	1
18	G18	TAPERED BEARING	2
19	G55	SNAP RING	3
20	18VB25	RACE	2
21	G68	CAP	1
22	17G116	SQUARE KEY, 1/4 X 5/8	1
23	17G58	VENT CAP	1
24	12V62	SNAP RING, 1-1/2IN HD EXTERNAL	1
25	23N288	PIPE NIPPLE, 0.38 X 1.25	1
26	YWFL24005	WASHER FLAT, 3/4	1
27	17G104	OUTPUT SHAFT	1
28	17G101	BEVEL GEAR, 22T	1
29	17G102	RACE	2
30	17G103	TAPERED BEARING	2
31	G65	PLUG PIPE, 3/8 NPT	1
32	17G105	SEAL	1
33	17G106	NUT HEX, 1-1/2	1
34	YBHH08090	BOLT HEX, 1/4 X 3 G2	1
35	YNHX08007	NUT HEX, 1/4 G5	1
36	17G125	HIGH SPEED SHIFTER YOKE	1
37	17G129	YOKE, SHIFTER, BEATER	1
38	17G121	SEAL	2
39	17G122	SPACER	1



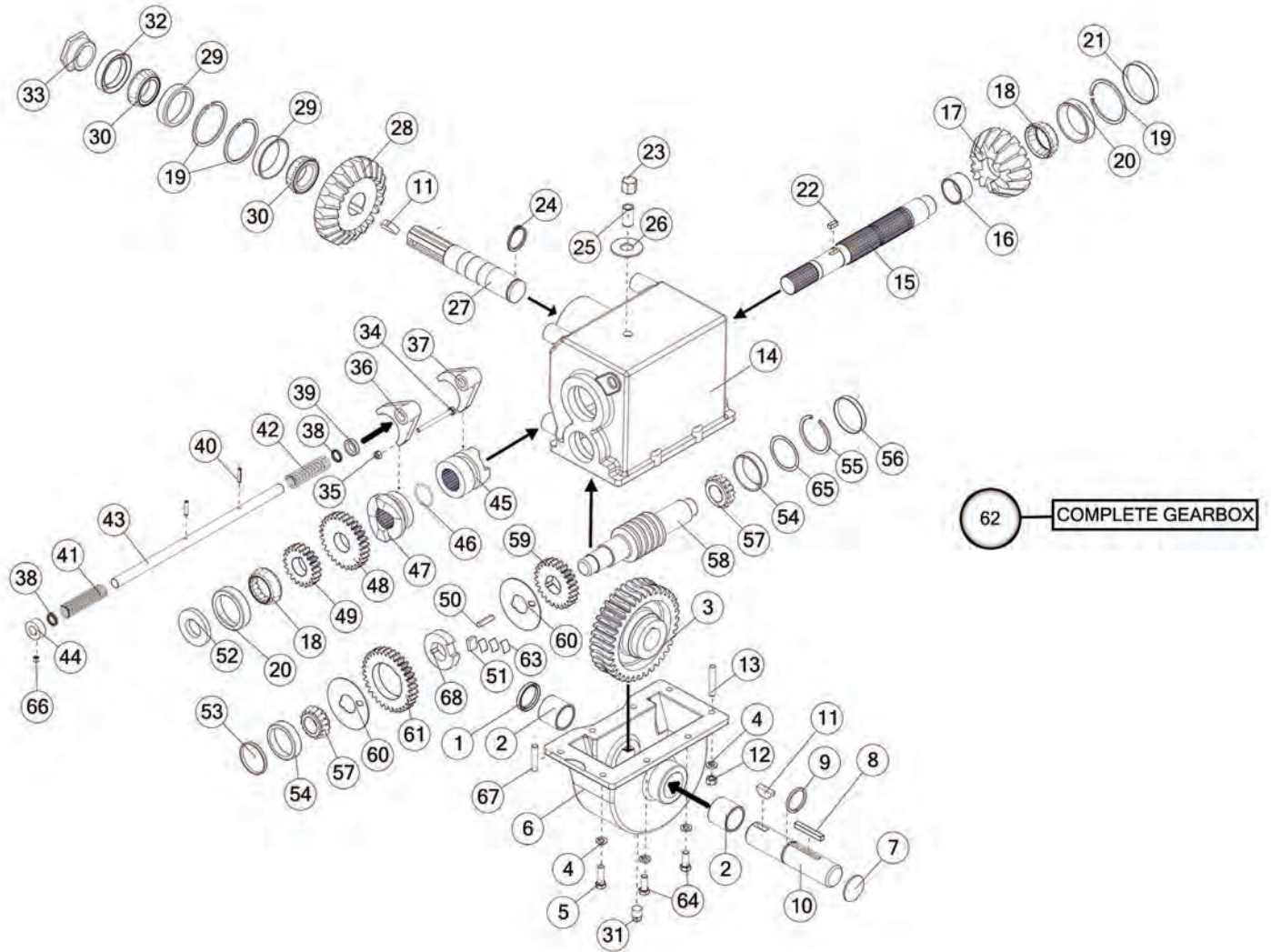




FIGURE 20

OPTIONAL REAR PAN (MSO3B3)

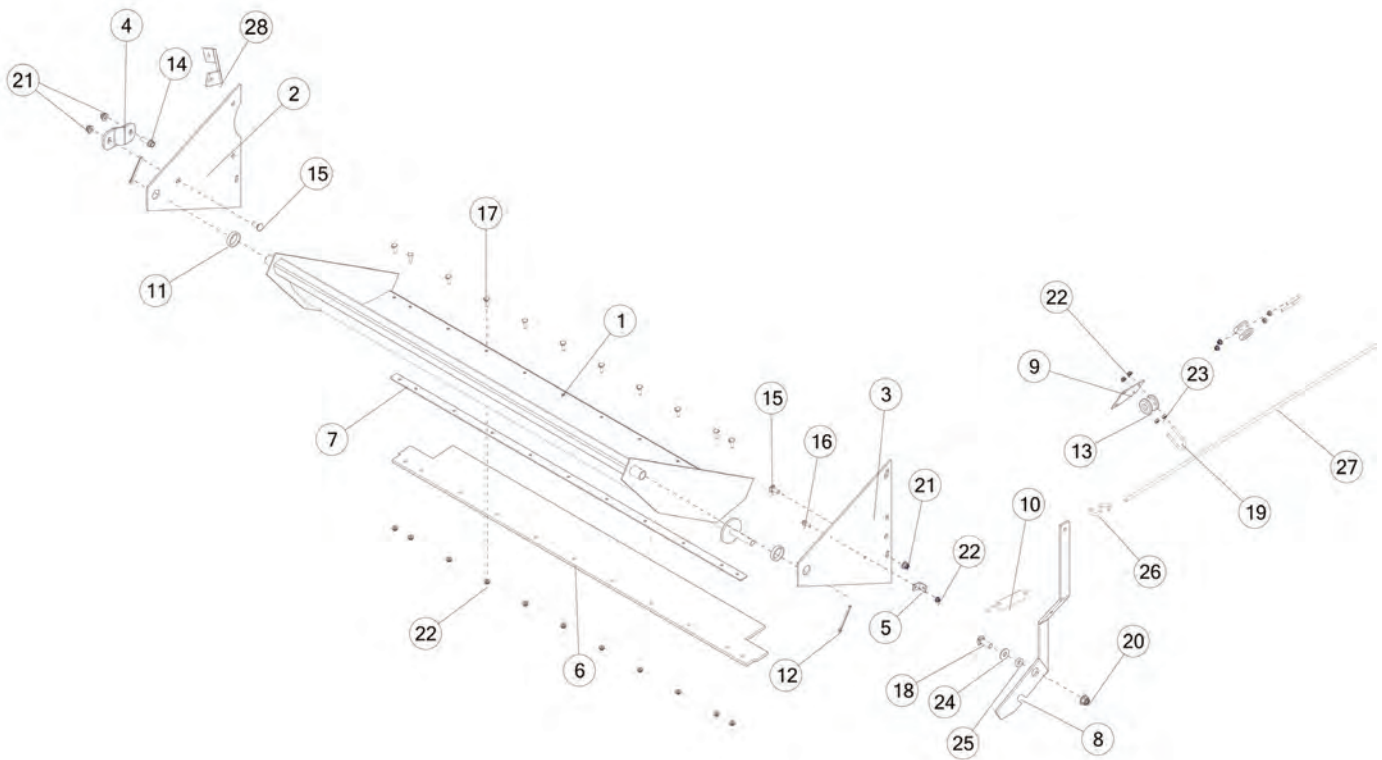




FIGURE 21
OPTIONAL TOP BEATER (MSOTB175)

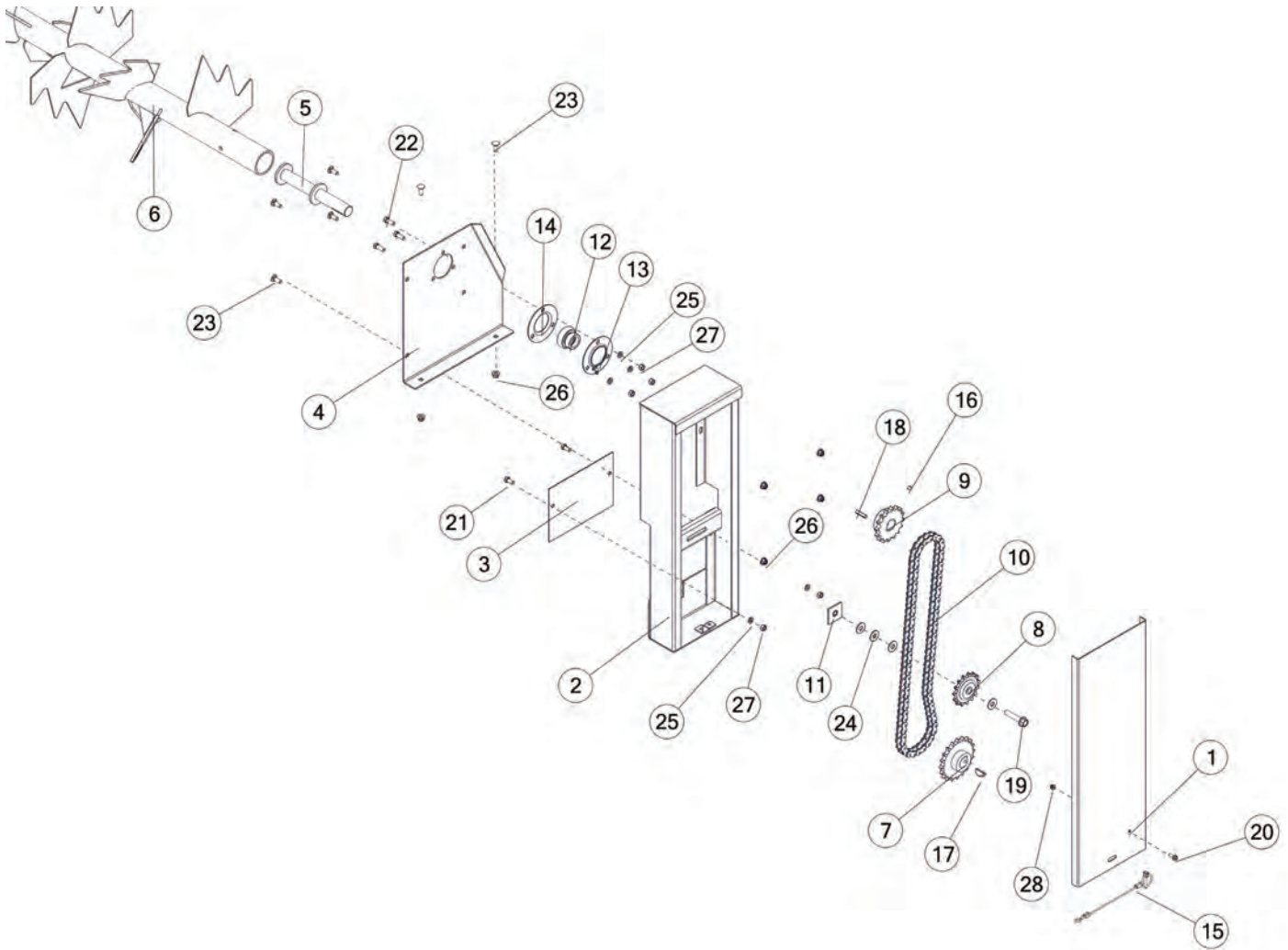
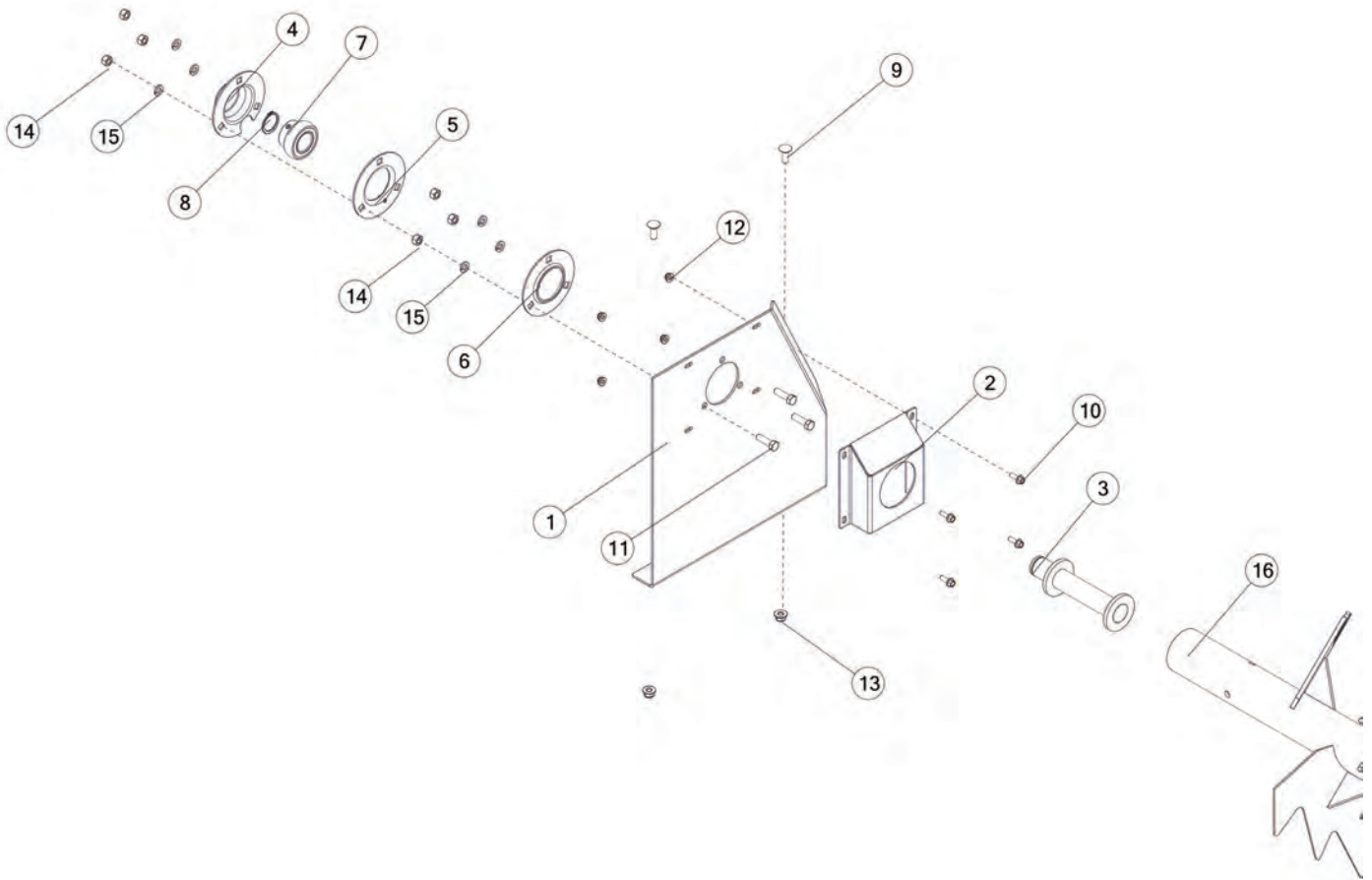




FIGURE 22

OPTIONAL TOP BEATER (MSOTB175)



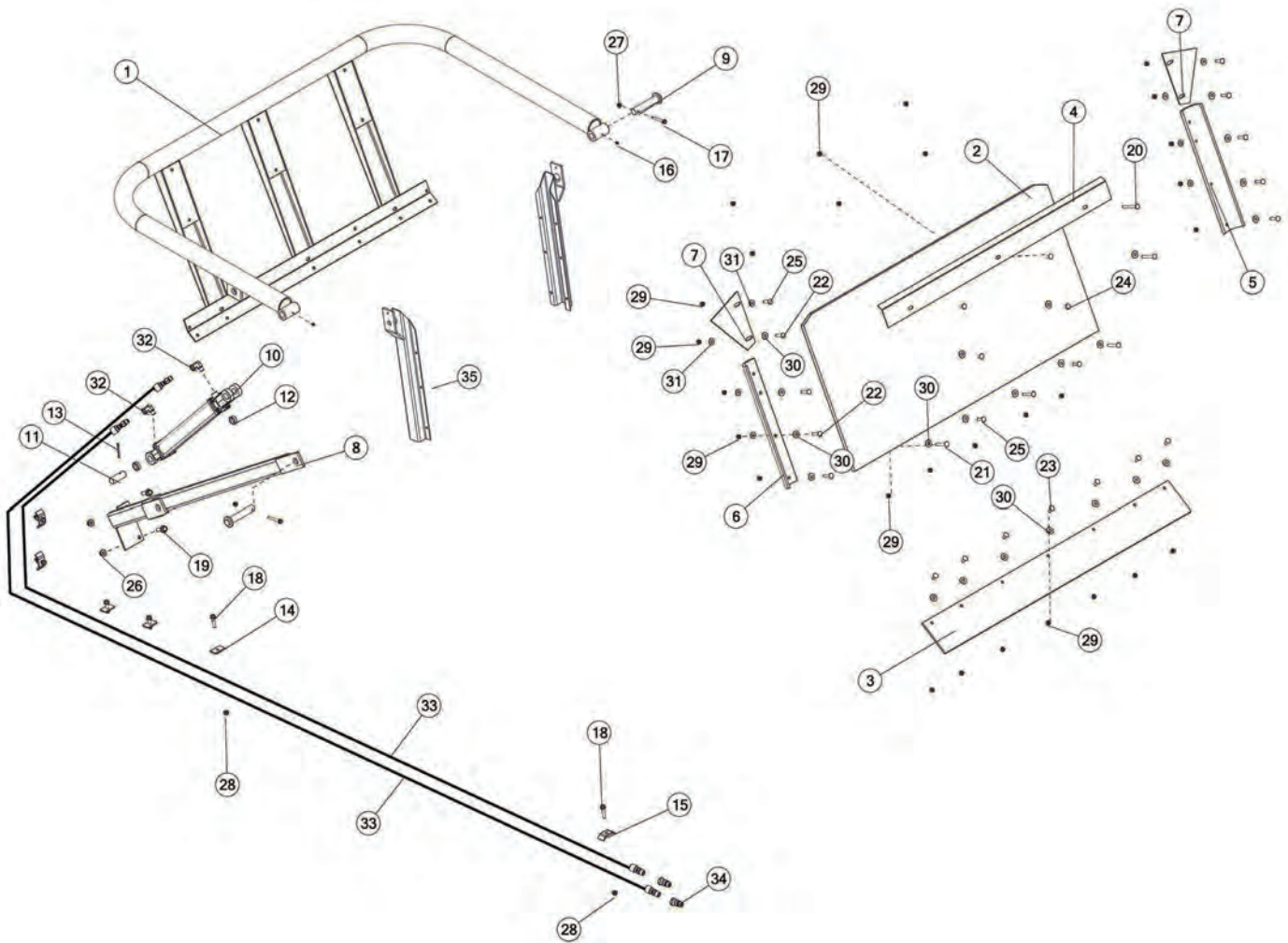




FIGURE 23

OPTIONAL HYDRAULIC ENDGATE (MSO130HE)

REF #	PART #	DESCRIPTION	QTY
1	17G77	TAILGATE FRAME	1
2	17G79	TAILGATE PLYWOOD	1
3	17G83	BOTTOM RUBBER	1
4	17G160	POLY FLOOR HOLD DOWN	1
5	17G81	SIDE RUBBER LH	1
6	17G82	SIDE RUBBER RH	1
7	17G80	TAILGATE CORNER	2
8	17G84	TAILGATE MOUNTING TUBE	1
9	17G78	TAILGATE PIN	2
10	56015	HYDRAULIC CYLINDER, 2 X 16	1
11	23N107	CYLINDER PIN	1
12	K132	SPACER, 3/8	2
13	YPCT07005	COTTER PIN, 7/32 X 2	1
14	17G87	HOSE BRACKET	3
15	23N67	TAILGATE HOSE BRACKET	3
16	MS26	STRAIGHT STANDARD SHORT ZERK, 1/4	2
17	YBFB10250	BOLT FLANGE, 5/16 X 2-1/2 G5	2
18	YBFB12175	BOLT FLANGE, 3/8 X 1-3/4 G5	6
19	YBFB16150	BOLT FLANGE, 1/2 X 1-1/2 G5	2
20	YBCR12070	BOLT CARRIAGE, 3/8-16 X 3-1/2 G5 ZC	3
21	YBCR12040	BOLT CARRIAGE, 3/8-16 X 2-1/2 G5 ZC	3
22	YBCR12030	BOLT CARRIAGE, 3/8-16 X 1-3/4 G5 ZC	8
23	YBCR12010	BOLT CARRIAGE, 3/8 X 1 G5	7
24	YBCR12055	BOLT CARRIAGE, 3/8 X 3 G5	3
25	YBCR12015	BOLT CARRIAGE, 3/8-16 X 1-1/2 G5	4
26	YNFG16003	NUT FLANGE, 1/2 GF	2
27	YNFG10005	NUT FLANGE, 5/16 GF	2
28	YNFG12006	NUT FLANGE, 3/8 GF	6
29	YNHX12005	NUT HEX, 3/8 G2	28
30	YWFL14005	WASHER FLAT, 7/16	23
31	YWFL12005	WASHER FLAT, 3/8 G5	8
32	DWM110	FITTING 90, 3/8NPT X 3/8NPSM	2
33	93295	HYDRAULIC HOSE, 6 X 240	2
34	DWM205	MALE QUICK COUPLER W/HYD TIP	2
35	92869	ENDGATE STAKE	2







Manufactured By:

H&S MANUFACTURING CO., INC.

2608 S. HUME AVE. MARSHFIELD, WI 54449
(715) 387-3414 | hsmfgco.com

