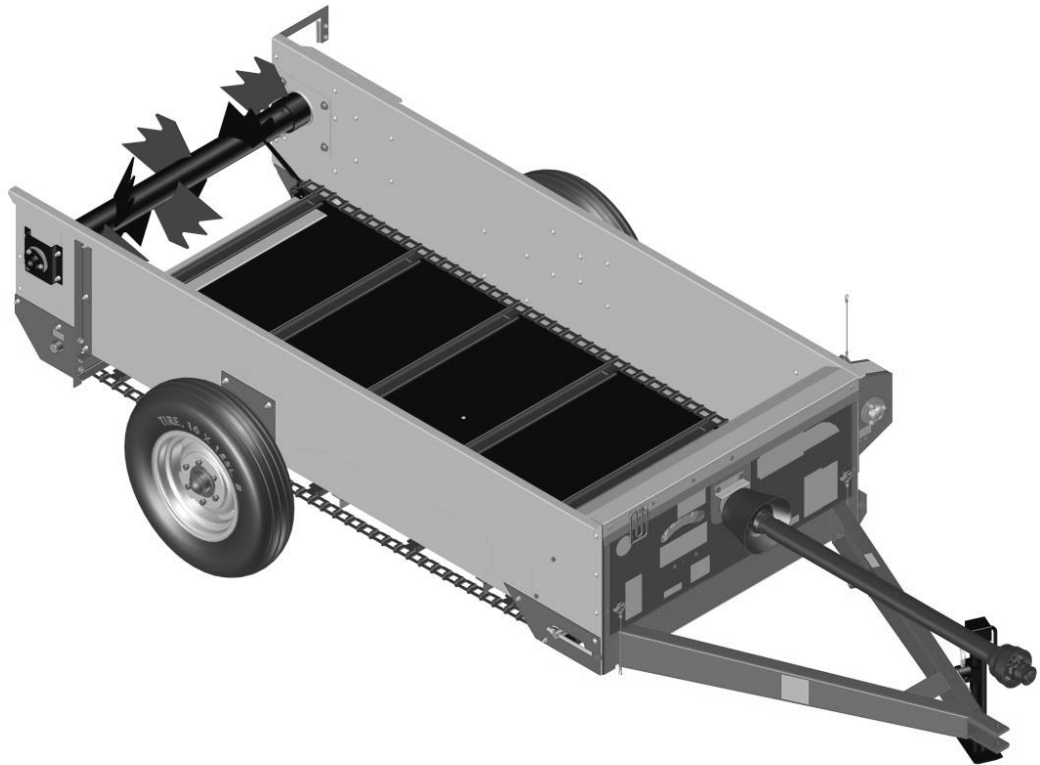


# H&S

# PARTS BOOK

## S2180 SPREADER



Revision #02  
Starting Serial #811PD80041

Part #71216  
HSMFG0318

**2608 S. HUME AVE. , MARSHFIELD, WI 54449**  
**(715) 387-3414 FAX (715) 384-5463**  
**[www.hsmfgco.com](http://www.hsmfgco.com)**

# CONTENTS

Instruction For Ordering Parts - About Improvements.....	1
Figure 1 - Front Pole Assembly.....	2-3
Figure 2 - Input Shaft Assembly.....	4-5
Figure 3 - Shifting Components.....	6-7
Figure 4 - Panels & Manual Holder.....	8-9
Figure 5 - Side Panels.....	10-11
Figure 6 – Front Idler Shaft Assembly.....	12-13
Figure 7 - Floor Assembly.....	14-15
Figure 8 - Rear Idler Shaft Assembly.....	16-17
Figure 9 - Side Shaft Assembly.....	18-19
Figure 10 - Side Shaft Panel & Guards.....	20-21
Figure 11 - Hub & Spindle Assembly.....	22-23
Figure 12 - Beater Assembly.....	24-25
Figure 13 – Gearbox.....	26-29
Figure 14 – Pto.....	30-31
Figure 15 - Optional Pan.....	32-33
Parts Notes.....	34

## **INSTRUCTIONS FOR ORDERING PARTS**

All service parts should be ordered through your authorized H&S dealer. They will be able to give you faster service if you will provide them with the following

1. Model & Serial number is located in the front center of the Manure Spreader.
2. All reference to left or right apply to the Manure Spreader as viewed from the rear.
3. Parts should not be ordered from illustration only. Please order by complete part number.
4. If your dealer has to order parts - give shipping instructions:

VIA truck - large pieces (please specify local truck lines)

VIA United Parcel Service (include full address)

<b>H&amp;S MFG. CO. INC.</b>	
MARSHFIELD, WIS.	
MOD. NO.	<input type="text"/>
SER. NO.	<input type="text"/>
DESCR.	<input type="text"/>

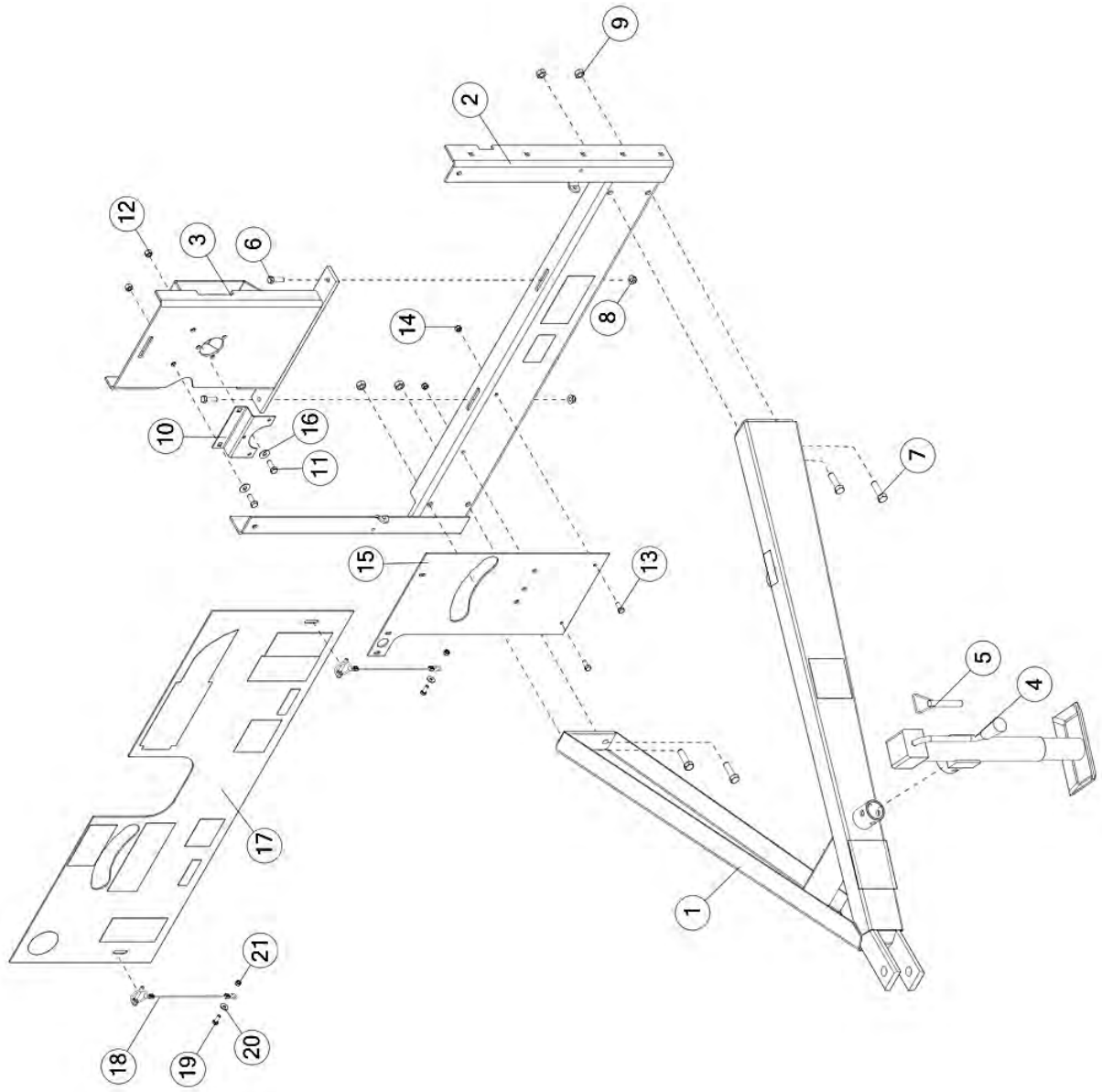
PLEASE RECORD NUMBERS FOR YOUR UNIT FOR QUICK REFERENCE

### **ABOUT IMPROVEMENTS**

H&S IS CONTINUALLY STRIVING TO IMPROVE IT'S PRODUCTS

We must therefore, reserve the right to make improvements or changes whenever it becomes practical to do so without incurring any obligation to make changes or additions to the equipment previously sold.

# FIGURE 1 FRONT POLE ASSEMBLY

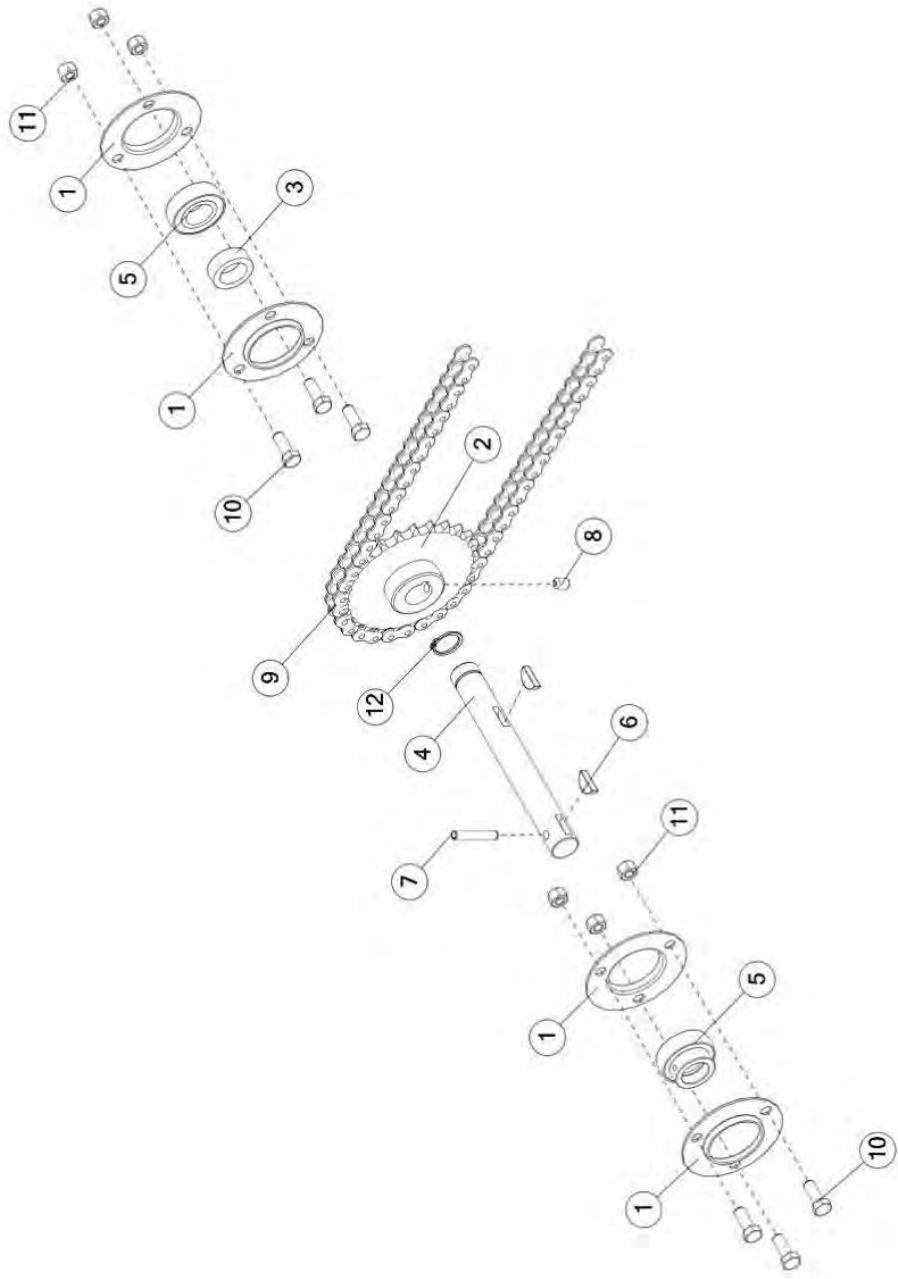


# FIGURE 1

## FRONT POLE ASSEMBLY

<u>ITEM</u>	<u>QTY</u>	<u>PART #</u>	<u>DESCRIPTION</u>
1	1	70996	FRONT POLE W/DECALS
2	1	72076	FRONT FRAME W/DECALS
3	1	68993	FRONT FRAME POST
4	1	12N116	SIDE WIND JACK, (2000#)
5	1	12N117	JACK PIN
6	2	YBHH12035	BOLT HEX, 3/8 X 1-1/4 G5
7	4	YBHH16055	BOLT HEX, 1/2 X 1-3/4 G5
8	2	YNFG12006	NUT HEX, FLANGE, NYLOCK, 3/8, GR F
9	4	YNTL16005	NUT HEX, TOP LOCK, 1/2
10	1	80N13	CENTER BEARING BRACKET
11	2	YBHH12010	BOLT HEX, 3/8 X 1 G5
12	2	YNTL12005	NUT HEX, TOP LOCK, 3/8
13	2	YBHH10105	BOLT HEX, 5/16 X 3/4 G5
14	2	YNNY10005	NUT HEX, NYLON LOCKNUT, 5/16
15	1	72001	SHIFTING BRACKET
16	2	YWFL12005	WASHER FLAT, 3/8 USS
17	1	72048	FRONT POLY PANEL W/DECALS
18	2	S122	LYNCH PIN W/LANYARD
19	2	YBHH08100	BOLT HEX, 1/4 X 3/4 G5
20	2	YWFL08005	WASHER FLAT, 1/4 USS
21	2	YNNY08005	NUT HEX, NYLON LOCKNUT, 1/4

# FIGURE 2 INPUT SHAFT ASSEMBLY

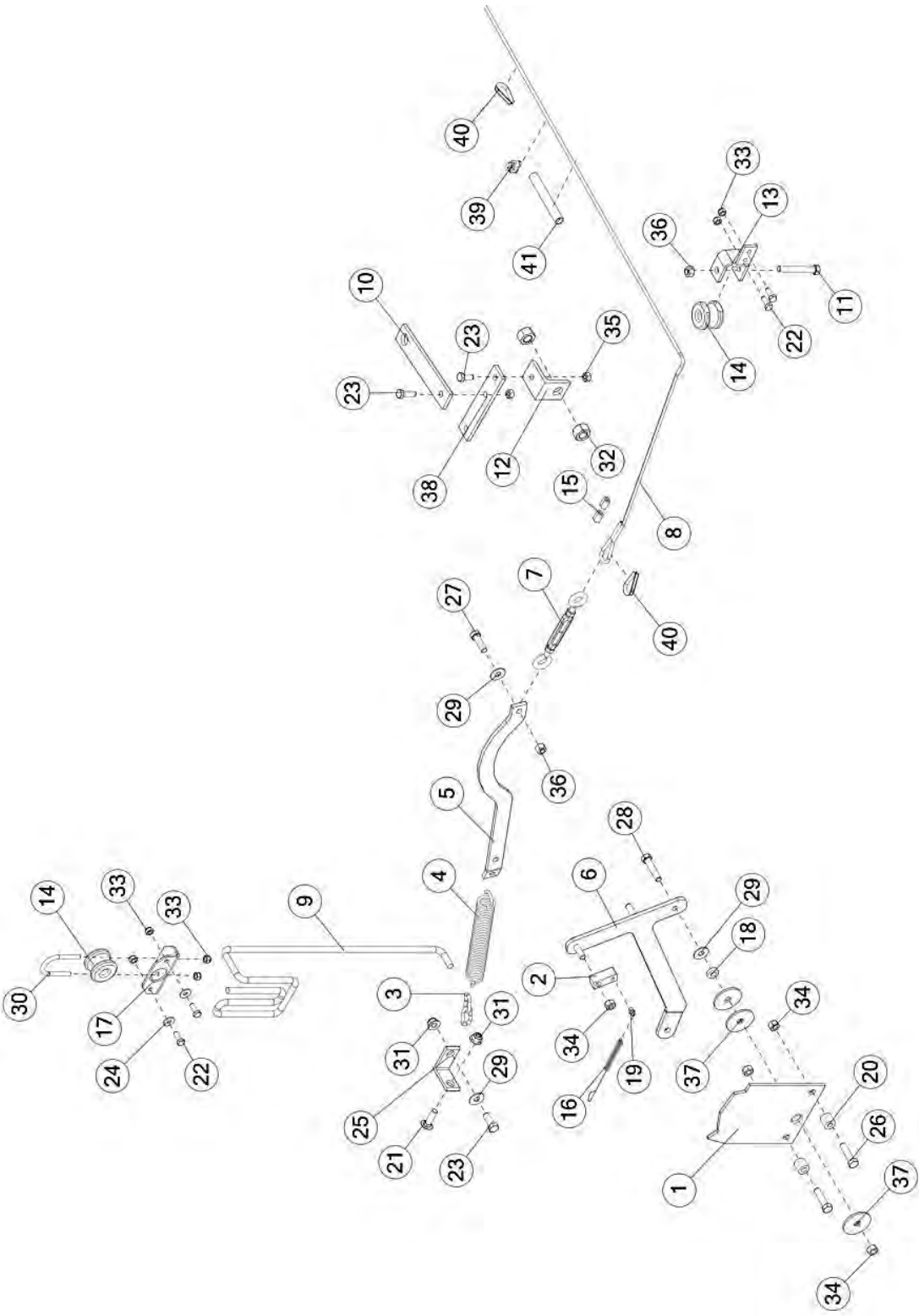


## FIGURE 2

### INPUT SHAFT ASSEMBLY

<u>ITEM</u>	<u>QTY</u>	<u>PART #</u>	<u>DESCRIPTION</u>
1	4	4C7	FLANGE
2	1	69783	SPROCKET (50-B-25)
3	1	70727	TUBE, RND, STR, 1.5 X 0.24 X 0.51
4	1	80N7	INPUT SHAFT
5	2	4C8	BEARING W/COLLAR, 1 IN
6	2	5B10	KEY WOODRUFF, 1/4 X 1
7	1	YPEX10015	EXPANSION PIN, 5/16 X 1-3/4
8	1	YSSO12005	SET SCREW, SOCKET, 3/8 X 1/2
9	1	70200	ROLLER CHAIN (#50 X 119P)
*	1	X61	CONNECTOR LINK #50
*	1	X60	OFFSET LINK #50
10	6	YBHH12010	BOLT HEX, 3/8 X 1 G5
11	6	YNTL12005	NUT HEX, TOP LOCK, 3/8
12	1	3G21	HEAVY DUTY EXTERNAL SNAP RING

**FIGURE 3**  
**SHIFTING COMPONENTS**



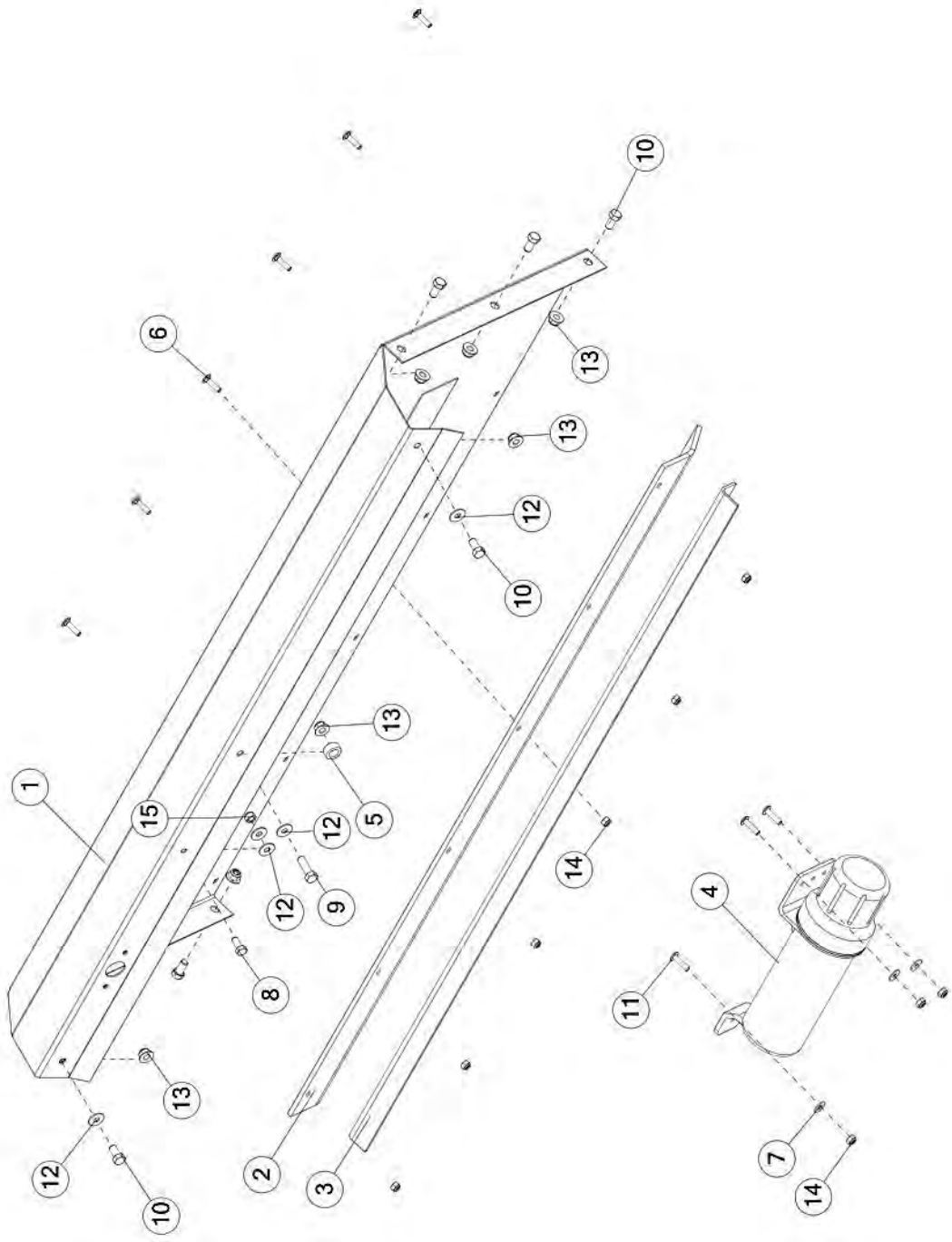


## **FIGURE 3**

### **SHIFTING COMPONENTS**

<b><u>ITEM</u></b>	<b><u>QTY</u></b>	<b><u>PART #</u></b>	<b><u>DESCRIPTION</u></b>
1	1	23N283	STOP BRACKET
2	1	23N282	SHIFTER DOG BRACKET, 5/8
3	1	70535	CHAIN (2 LINKS)
4	1	10R14	SPRING
5	1	71284	PIVOT LINK BRACKET
6	1	72015	SHIFTER LEVER
7	1	F84	TURNBUCKLE
8	1	70713	SHIFTER CABLE (121 IN)
9	1	23N183	ROPE (126 IN)
10	1	23N289	SHIFTER ROD LEVER
11	1	YBHH12095	BOLT HEX, FT, 3/8 X 2-1/2 G5
12	1	23N291	SHIFTER ROD BRACKET
13	1	71566	CABLE GUIDE BRACKET
14	2	F33	SIDE CABLE GUIDE
15	4	71279	SLEEVE
16	1	23N284	SHIFTER DOG SPRING
17	1	71972	FRONT CABLE GUIDE BRACKET
18	1	23N297	TUBE, RND, STR, 0.75 X 0.19 X 0.21, DOM
19	1	G89	STRAIGHT ZERK, 1/4
20	2	ST81	EXTENSION SPACER
21	1	YBCR12020	BOLT CARRIAGE, 3/8 X 1-1/4, G5
22	4	YBHH08100	BOLT HEX, 1/4 X 3/4, G5
23	1	YBHH12010	BOLT HEX, 3/8 X 1, G5
24	2	YWFL08005	WASHER FLAT, 1/4 USS
25	1	17G177	SPRING MOUNT BRACKET
26	2	YBHH12025	BOLT HEX, 3/8 X 1-1/2, G5
27	1	YBHH12035	BOLT HEX, 3/8 X 1-1/4, G5
28	1	YBHH12060	BOLT HEX, 3/8 X 1-3/4, G5
29	3	YWFL12005	WASHER FLAT, 3/8 USS
30	1	YBPU08005	U-BOLT, 1/4 X 3/4
31	2	YNFG12006	NUT FLANGE, LKNY, 3/8
32	2	YNHX20005	NUT HEX, 5/8
33	6	YNNY08005	NUT HEX, LKNY, 1/4
34	4	YNRL12005	NUT HEX, 3/8, LKRS
35	2	YNTL10005	NUT HEX, 5/16, LKTL
36	2	YNTL12005	NUT HEX, 3/8, LKTL
37	3	YWCU12005	WASHER CUSTOM, FLAT
38	1	23N290	SHIFTER ROD BRACKET
39	2	BFR220	CABLE CLAMP, 3/16
40	2	ES14	THIMBLE
41	1	72120	ELEC HARNESS, HEAT SHRINK, 4.00 X 0.50

**FIGURE 4**  
**PANELS & MANUAL HOLDER**

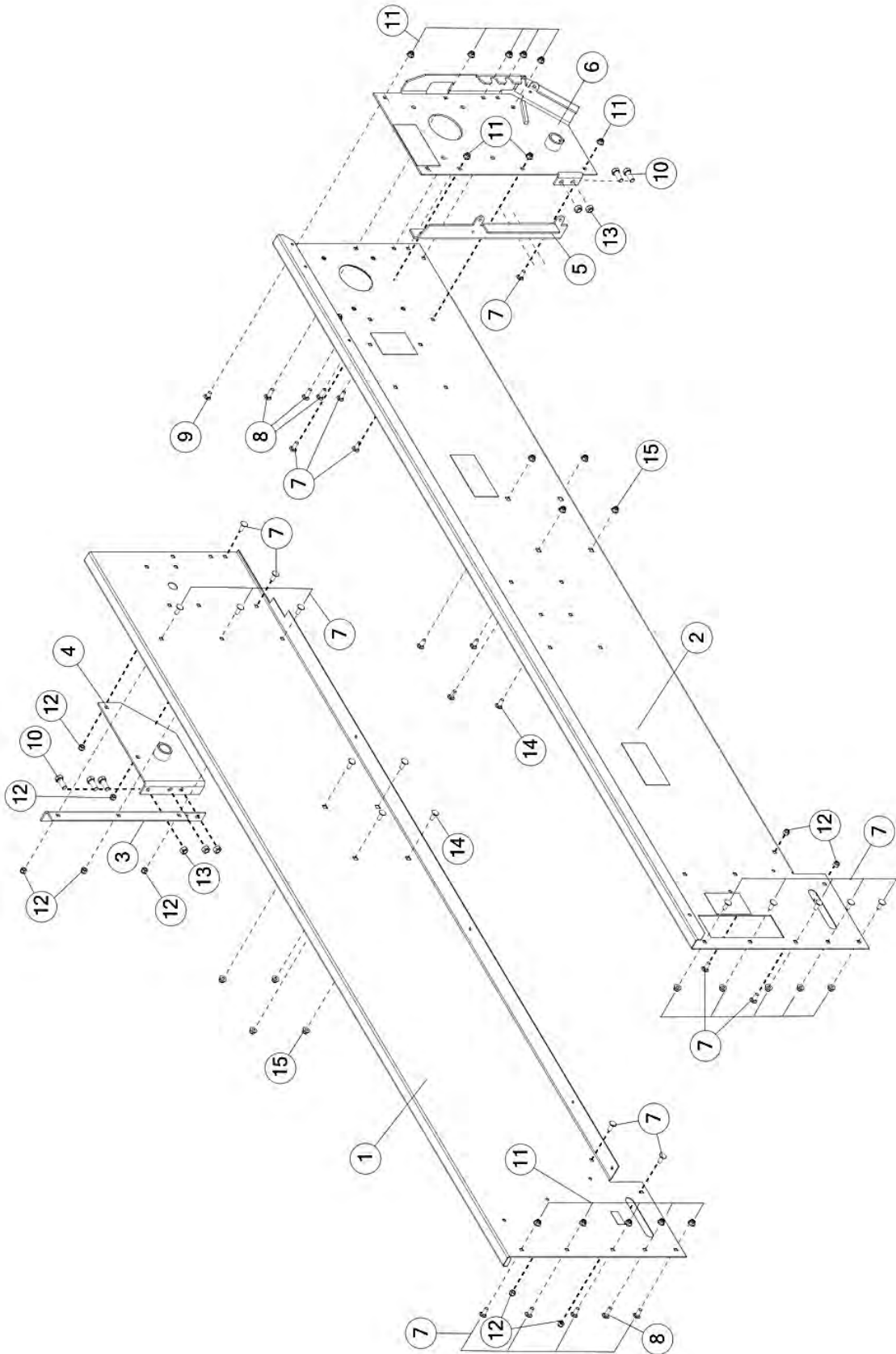


## FIGURE 4

### PANELS & MANUAL HOLDER

<u>ITEM</u>	<u>QTY</u>	<u>PART #</u>	<u>DESCRIPTION</u>
1	1	72000	FRONT PANEL W/DECALS
2	1	12N69	FRONT RUBBER
3	1	80N66	FRONT RUBBER STRAP
4	1	S522	MANUAL HOLDER
5	1	80N11	FRONT POST SPACER
6	6	YBCR08005	BOLT CARRIAGE, 1/4 X 1 G5
7	3	YWFL08005	WASHER FLAT, 1/4 USS
8	1	YBHH10105	BOLT HEX, 5/16 X 3/4 G5
9	1	YBHH12035	BOLT HEX, 3/8 X 1-1/4 G5
10	8	YBHH12135	BOLT HEX, 3/8 X 3/4 G5
11	3	YSTM08005	TRUSS HEAD MACH, SCREW, 1/4 X 1 G5
12	5	YWFL10005	WASHER FLAT, 5/16 USS
13	9	YNFG12006	NUT HEX, FLANGE, NYLOCK, 3/8, GR F
14	9	YNNY08005	NUT HEX, NYLON LOCKNUT, 1/4
15	1	YNNY10005	NUT HEX, NYLON LOCKNUT, 5/16

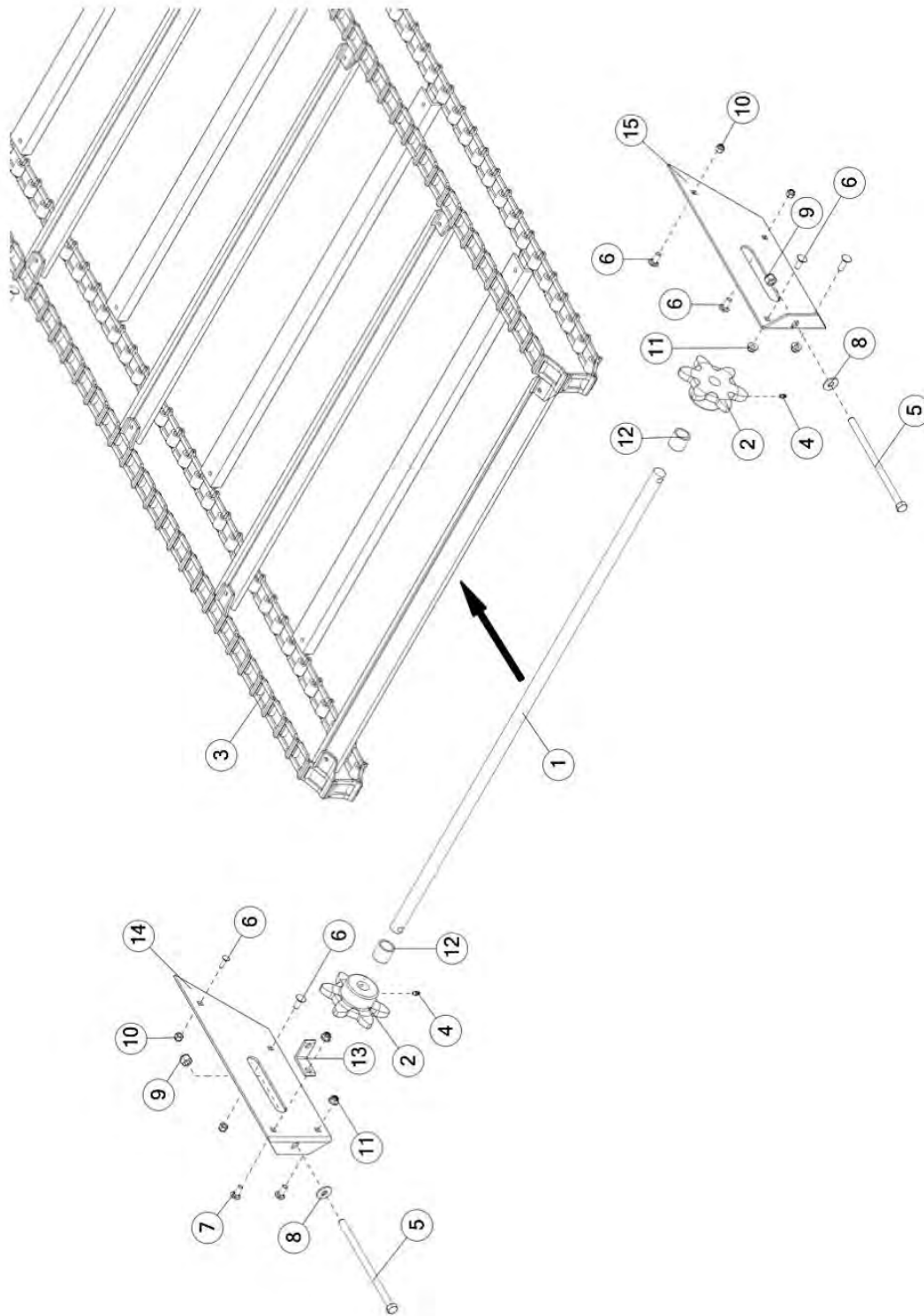
**FIGURE 5**  
**SIDE PANELS**



## **FIGURE 5** **SIDE PANELS**

<b><u>ITEM</u></b>	<b><u>QTY</u></b>	<b><u>PART #</u></b>	<b><u>DESCRIPTION</u></b>
1	1	71159	SIDE PANEL W/DECALS RH
2	1	72091	SIDE PANEL W/DECALS LH
3	1	67469	SIDE BRACE RH
4	1	71171	REAR FRAME W/DECAL RH
5	1	72079	FORMED PLATE, 19.67 X 5.28 X .19
6	1	72080	REAR FRAME W/DECALS LH
7	20	YBCR12010	BOLT CARRIAGE, 3/8 X 1 G5
8	4	YBCR12020	BOLT CARRIAGE, 3/8 X 1-1/4 G5
9	1	YBCR12065	BOLT CARRIAGE, 3/8 X 3/4 G5
10	5	YBHH16045	BOLT HEX, 1/2 X 1-1/4 G5
11	18	YNFG12006	NUT HEX, FLANGE, NYLOCK, 3/8
12	8	YNNY12005	NUT HEX, NYLON LOCKNUT, 3/8
13	5	YNTL16005	NUT HEX, TOP LOCK, 1/2-13
14	8	YBCR16005	BOLT CARRIAGE, 1/2 X 1, G5
15	8	YNNY16005	NUT HEX, 1/2, LKNY, G2

**FIGURE 6**  
**FRONT IDLER SHAFT ASSEMBLY**



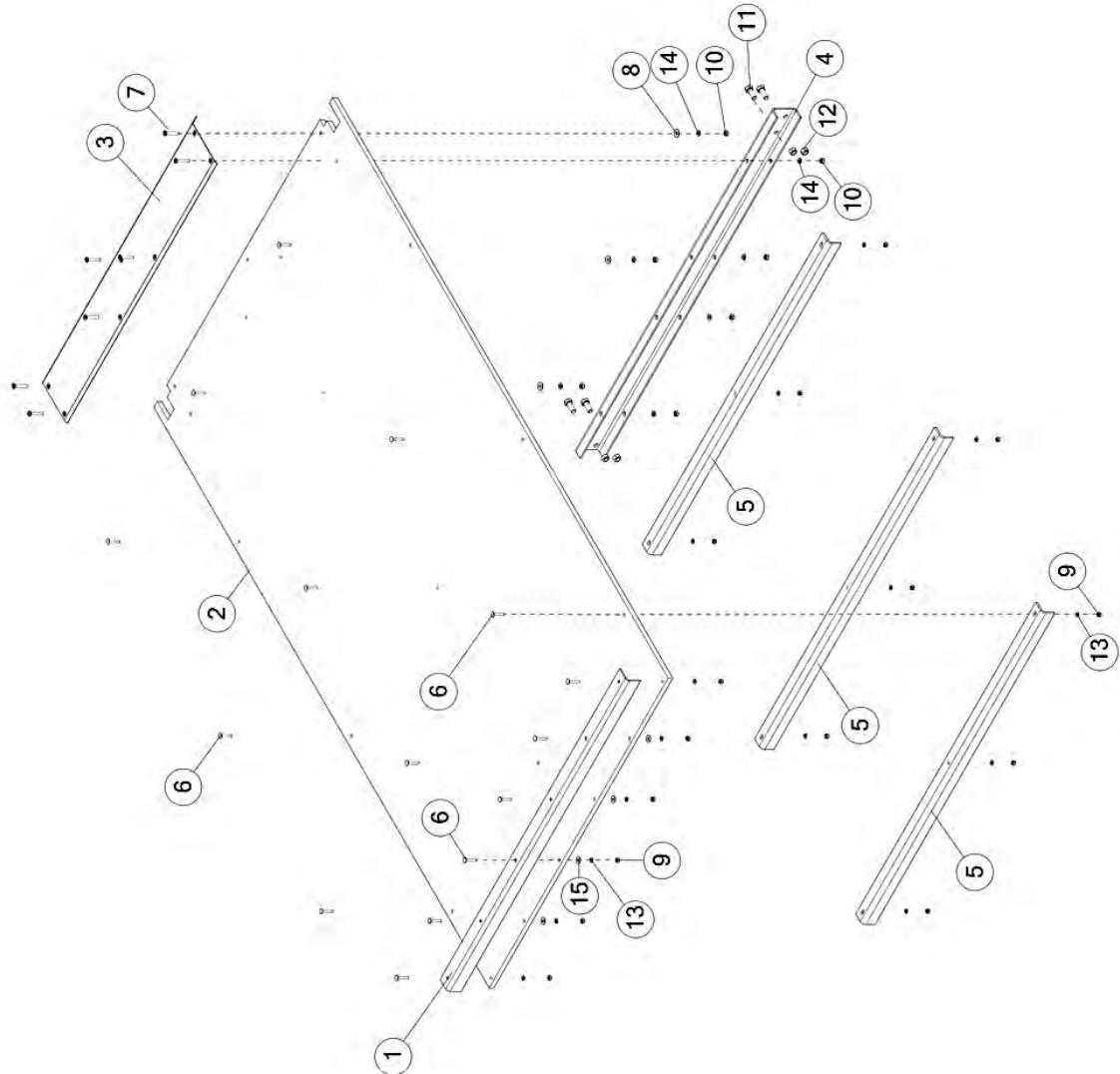
## **FIGURE 6**

### **FRONT IDLER SHAFT ASSEMBLY**

<b><u>ITEM</u></b>	<b><u>QTY</u></b>	<b><u>PART #</u></b>	<b><u>DESCRIPTION</u></b>
1	1	12N67	IDLER SHAFT
2	2	12N65	APRON SPOCKET (6T)
3	1	80N58	COMPLETE APRON CHAIN
*	1	11S23	ATTACHMENT LINK LH 67H
*	1	11S24	ATTACHMENT LINK RH 67H
*	1	11S25	CONNECTOR LINK 67H
*	1	80N62	SLAT W/ATT LINK 67H
4	2	G89	STRAIGHT ZERK, 1/4
5	2	YBHH16190	BOLT HEX, 1/2 X 9-1/2
6	7	YBCR12010	BOLT CARRIAGE, 3/8 X 1 G5
7	1	YBCR12020	BOLT CARRIAGE, 3/8 X 1-1/4 G5
8	2	YWFL16005	WASHER FLAT, 1/2 USS
9	2	YNNY16005	NUT HEX, NYLON LOCKNUT, 1/2
10	4	YNNY12005	NUT HEX, NYLON LOCKNUT, 3/8
11	4	YNFG12006	NUT HEX, FLANGE, NYLOCK, 3/8, GR F
12	2	12N66	IDLER SPACER
13	1	17G177	SPRING MOUNT BRACKET
14	1	80N55	APRON CHAIN TIGHTENER RH
15	1	80N56	APRON CHAIN TIGHTENER LH

**\*MEANS NOT SHOWN**

# FIGURE 7 FLOOR ASSEMBLY

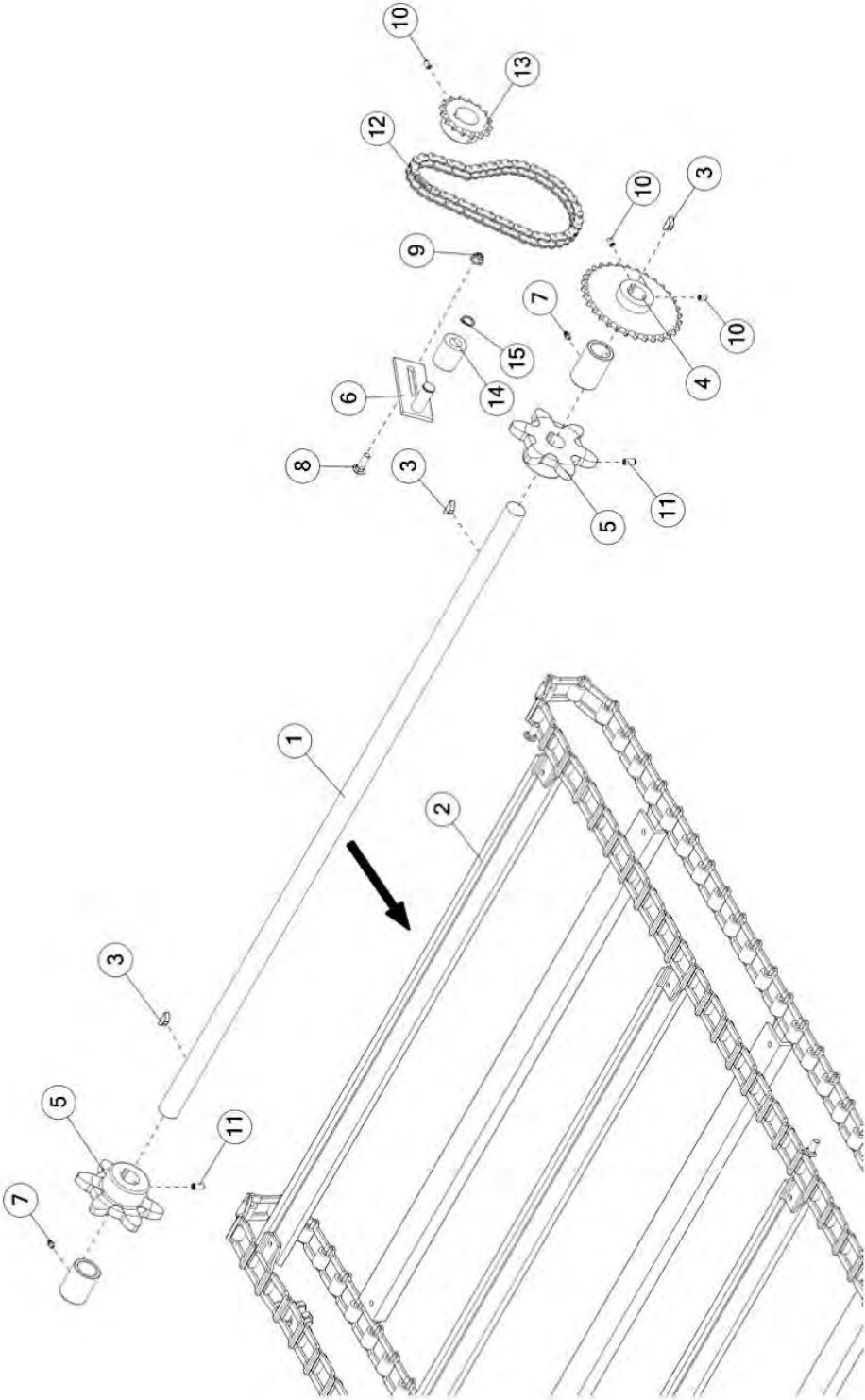




## **FIGURE 7** **FLOOR ASSEMBLY**

<b><u>ITEM</u></b>	<b><u>QTY</u></b>	<b><u>PART #</u></b>	<b><u>DESCRIPTION</u></b>
1	1	80N67	FRONT FLOOR BRACE
2	1	71430	POLY PLYWOOD, 1/2 X 47-3/4 X 89-1/2
3	1	71429	BACK REAR FLOOR BRACE
4	1	71433	BACK CHANNEL BRACKET
5	3	80G5	FLOOR BRACE
6	15	YBCR08010	BOLT CARRIAGE, 1/4 X 1-1/2
7	7	YSFM10010	FLAT HEAD MACH, SCREW, 5/16 X 1-3/4
8	3	YWFL10005	WASHER FLAT, 5/16 USS
9	15	YNHX08007	NUT HEX, 1/4 G5
10	7	YNHX10010	NUT HEX, 5/16 G5
11	4	YBHH16045	BOLT HEX, 1/2 X 1-1/4 G5
12	4	YNL16005	NUT HEX, TOP LOCK, 1/2
13	15	YWLO08005	WASHER LOCK, 1/4
14	4	YWLO10005	WASHER LOCK, 5/16
15	4	YWFL08005	WASHER FLAT, 1/4 USS

**FIGURE 8**  
**REAR IDLER SHAFT ASSEMBLY**

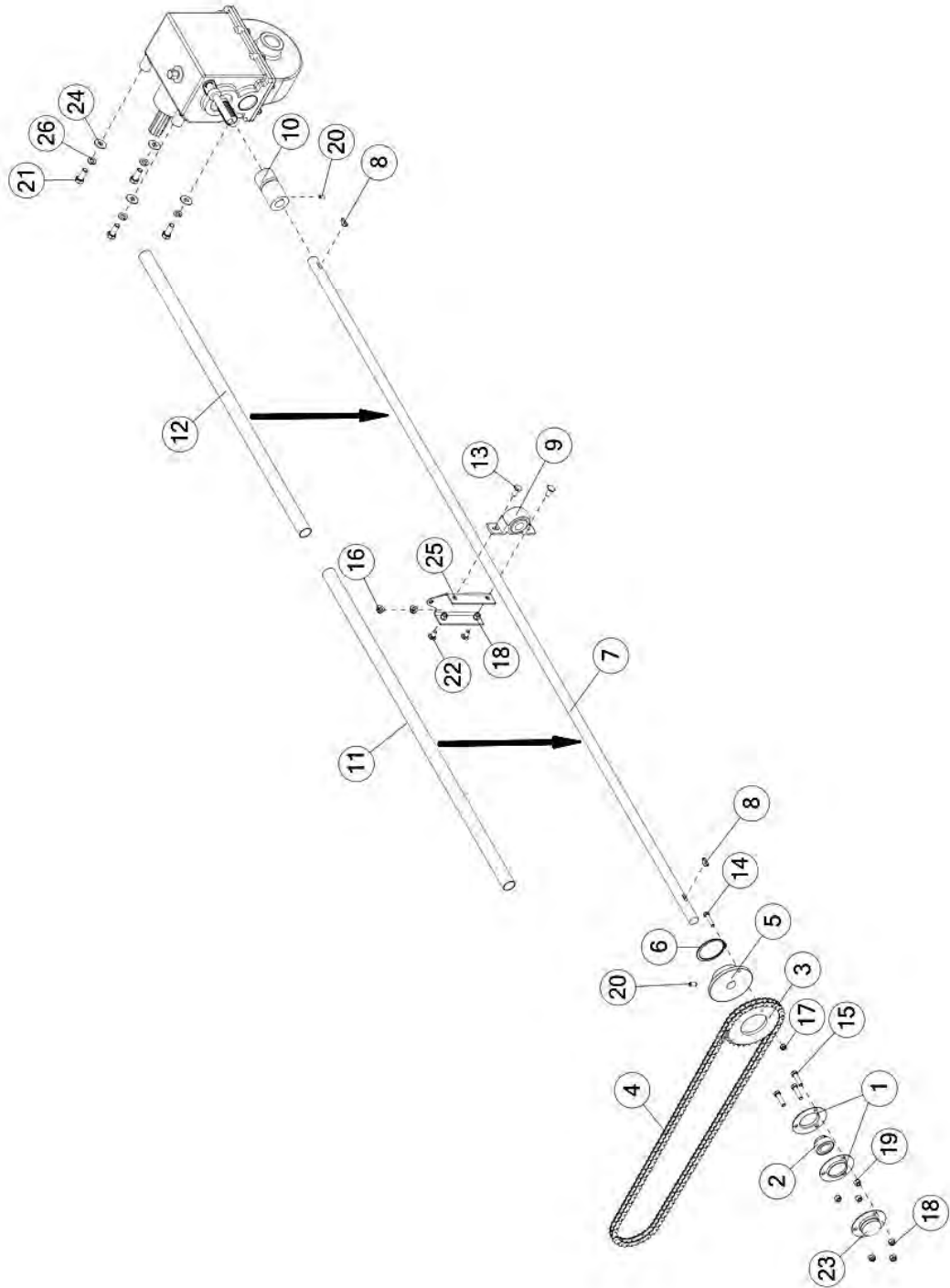


## FIGURE 8

### REAR IDLER SHAFT ASSEMBLY

<u>ITEM</u>	<u>QTY</u>	<u>PART #</u>	<u>DESCRIPTION</u>
1	1	67844	SHAFT, RND, 1.25, 52.1
2	1	80N58	COMPLETE APRON CHAIN
3	3	G12	WOODRUFF KEY, 5/16 X 1
4	1	69791	SPROCKET (50-B-32)
5	2	80N63	APRON DRIVE SPROCKET (6T)
6	1	L10R35	TIGHTENER BRACKET
7	2	G89	STRAIGHT ZERK, 1/4
8	1	YBCR12010	BOLT CARRIAGE, 3/8 X 1 G5
9	1	YNFG12006	NUT HEX, FLANGE, NYLOCK, 3/8, GR F
10	3	YSKP10005	SET SCREW, SOCKET, KNURLED CUP PT, 5/16 X 1/2
11	2	YSKP12035	SET SCREW, SCKT, KNRD CUP PT 3/8 X 3/4
12	1	70193	ROLLER CHAIN (#50 X 45P)
*	1	X61	CONNECTOR LINK, #50
*	1	X60	OFFSET LINK, #50
13	1	69786	SPROCKET (50-B-16)
14	1	23N238	CHAIN TIGHTENER
15	1	10R32	SNAP RING

# FIGURE 9 SIDE SHAFT ASSEMBLY



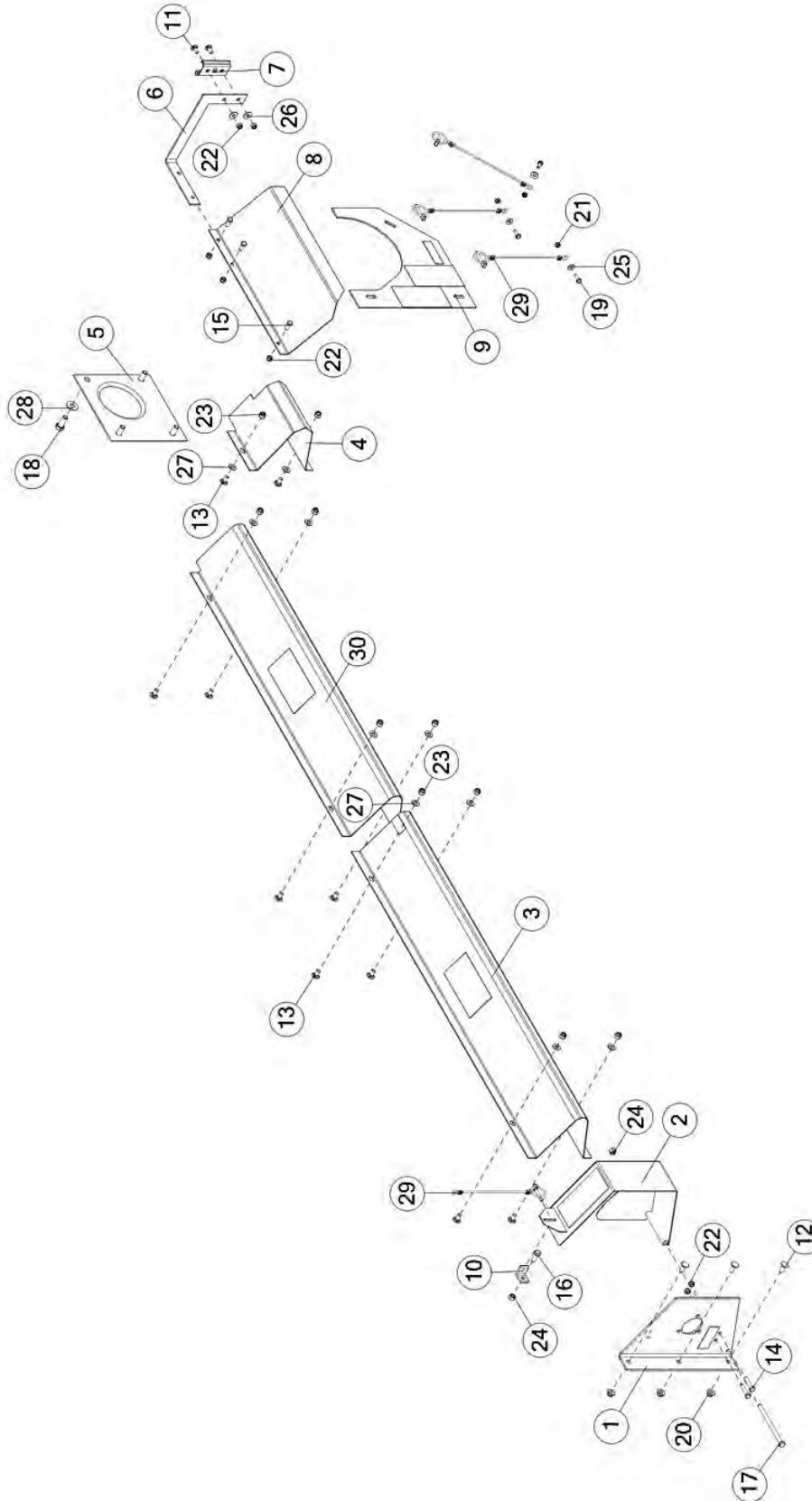
## FIGURE 9

### SIDE SHAFT ASSEMBLY

<u>ITEM</u>	<u>QTY</u>	<u>PART #</u>	<u>DESCRIPTION</u>
1	2	4C7	FLANGE
2	1	4C8	BEARING W/COLLAR, 1 IN
3	1	69785	SPROCKET (50-A-30)
4	1	70200	ROLLER CHAIN, (#50 X 119P)
5	1	80N74	SHEAR HUB
6	1	23N75	EXTERNAL SNAP RING
7	1	67793	SHAFT
8	2	5B10	WOODRUFF KEY, 1/4 X 1
9	1	80N22	BEARING, 1 IN
10	1	69807	COUPLER
11	1	69010	TUBE, RND, STR, 1.64 X 0.14 X 44.7, PVC TUBE,
12	1	69011	RND, STR, 1.64 X 0.14 X 39.6, PVC
13	2	YBCR12010	BOLT CARRIAGE, 3/8 X 1 G5
14	1	YBHH10025	BOLT HEX, 5/16 X 1-1/2 G2
15	3	YBHH12025	BOLT HEX, 3/8 X 1-1/2 G5
16	2	YNFG12006	NUT HEX, FLANGE, NYLOCK, 3/8 GR F
17	1	YNNY10005	NUT HEX, NYLON LOCKNUT, 5/16
18	5	YNNY12005	NUT HEX, NYLON LOCKNUT, 3/8
19	3	YNTL12005	NUT HEX, TOP LOCK, 3/8
20	2	YSKP12035	SETSCR, SCKT, KNRD CUP PT 3/8 X 3/4
21	4	YBHH16045	BOLT HEX, 1/2 X 1-1/4 G5
22	2	YBCR12065	BOLT CARRIAGE, 3/8 X 3/4 G5
23	1	80N15	SHAFT GUARD
24	4	YWFL16005	WASHER FLAT, 1/2 USS
25	1	70130	PLATE
26	4	YWLO16005	WASHER LOCK, 1/2

# FIGURE 10

## SIDE SHAFT PANEL & GUARDS

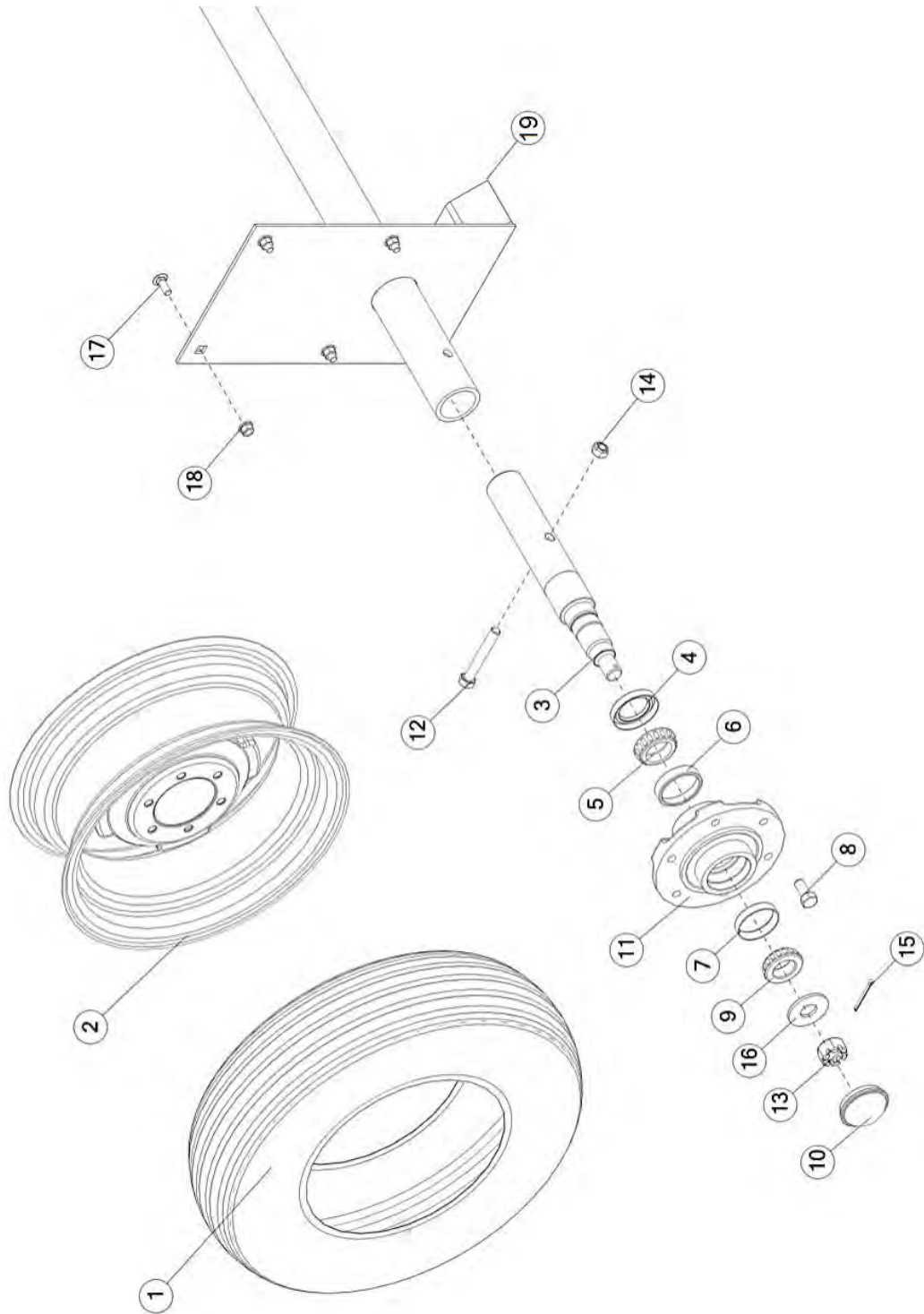


## FIGURE 10

### SIDE SHAFT PANEL & GUARDS

<u>ITEM</u>	<u>QTY</u>	<u>PART #</u>	<u>DESCRIPTION</u>
1	1	71000	SIDE SHAFT BRACKET W/DECALS
2	1	71156	FRONT SPROCKET SHIELD W/DECALS
3	1	72089	SIDE SHAFT FRONT SHIELD W/DECALS
4	1	71431	COUPLER SHIELD
5	1	69964	PLATE
6	1	70192	SMV BRACE
7	1	F97	SMV BRACKET
8	1	71160	GEARBOX SHIELD W/DECALS
9	1	72077	POLY SHIELD W/DECALS
10	1	F92	FRONT SHIELD BRACKET
11	2	YBCR10030	BOLT CARRIAGE, 5/16 X 3/4 G5
12	3	YBCR12010	BOLT CARRIAGE, 3/8 X 1 G5
13	10	YBCR12065	BOLT CARRIAGE, 3/8 X 3/4 G5
14	2	YBHH10025	BOLT HEX, 5/16 X 1-1/2 G2
15	3	YBHH10105	BOLT HEX, 5/16 X 3/4 G5
16	1	YBHH12010	BOLT HEX, 3/8 X 1 G5
17	1	YBHH12210	BOLT HEX, 3/8 X 5-1/2 G2
18	4	YBHH16045	BOLT HEX, 1/2 X 1-1/4 G5
19	3	YBHH08100	BOLT HEX, 1/4 X 3/4 G5
20	3	YNFG12006	NUT HEX, FLANGE, NYLOCK, 3/8, GR F
21	3	YNNY08005	NUT HEX, NYLON LOCKNUT, 1/4
22	4	YNNY10005	NUT HEX, NYLON LOCKNUT, 5/16
23	10	YNNY12005	NUT HEX, NYLON LOCKNUT, 3/8
24	2	YNTL12005	NUT HEX, TOP LOCK, 3/8
25	3	YWFL08005	WASHER FLAT, 1/4 USS
26	2	YWFL10005	WASHER FLAT, 5/16 USS
27	10	YWFL12010	WASHER FLAT, 3/8 SAE, G8, YELLOW ZINC
28	4	YWFL16005	WASHER FLAT, 1/2 USS
29	4	S122	LYNCH PIN W/LANYARD
30	1	72090	SIDE SHAFT FRONT SHIELD W/DECALS

**FIGURE 11**  
**HUB & SPINDLE ASSEMBLY**



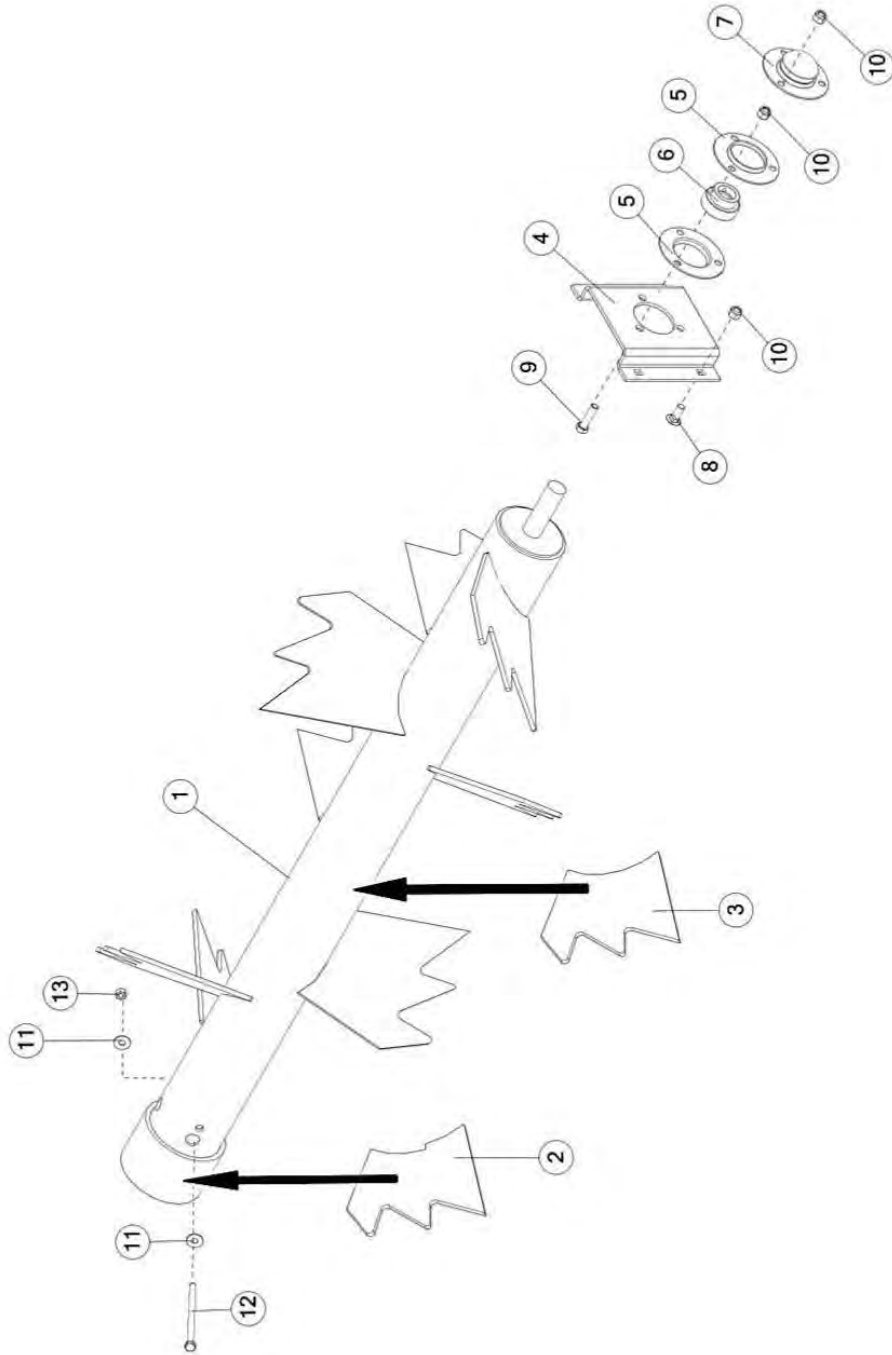


# FIGURE 11

## HUB & SPINDLE ASSEMBLY

<u>ITEM</u>	<u>QTY</u>	<u>PART #</u>	<u>DESCRIPTION</u>
1	2	80N93	TIRE, 6.70 X 15SL
2	2	71174	WHEEL, 15 X 5, 6 BOLT
*	2	71195	TIRE AND WHEEL, 6.70 X 15SL, 15 X 5, 6 BOLT (OFF-WHITE)
3	2	12N16	SPINDLE (2 X 14)
4	2	12N17	SEAL
5	2	12N18	INNER BEARING
6	2	12N19	INNER RACE
7	2	17G146	OUTER RACE
8	12	YBWL16005	BOLT, WHEEL, 1/2 X 1, G5
9	2	17G145	OUTER BEARING
10	2	17G144	HUB CAP
11	2	12N20	HUB W/RACES
12	2	YBHH16115	BOLT HEX, 1/2 X 3-1/2 G5
13	2	YNSL28005	NUT HEX, SLOTTED, 7/8
14	2	YNTL16005	NUT HEX, TOP LOCK, 1/2
15	2	YPCT05010	COTTER PIN, 5/32 X 1-1/2
16	2	YWFL28005	WASHER FLAT, 7/8 USS
17	8	YBCR16005	BOLT CARRIAGE, 1/2 X 1, G5
18	8	YNNY16005	NUT HEX, 1/2, LKNY, G2
19	1	80N54	AXLE

# FIGURE 12 BEATER ASSEMBLY

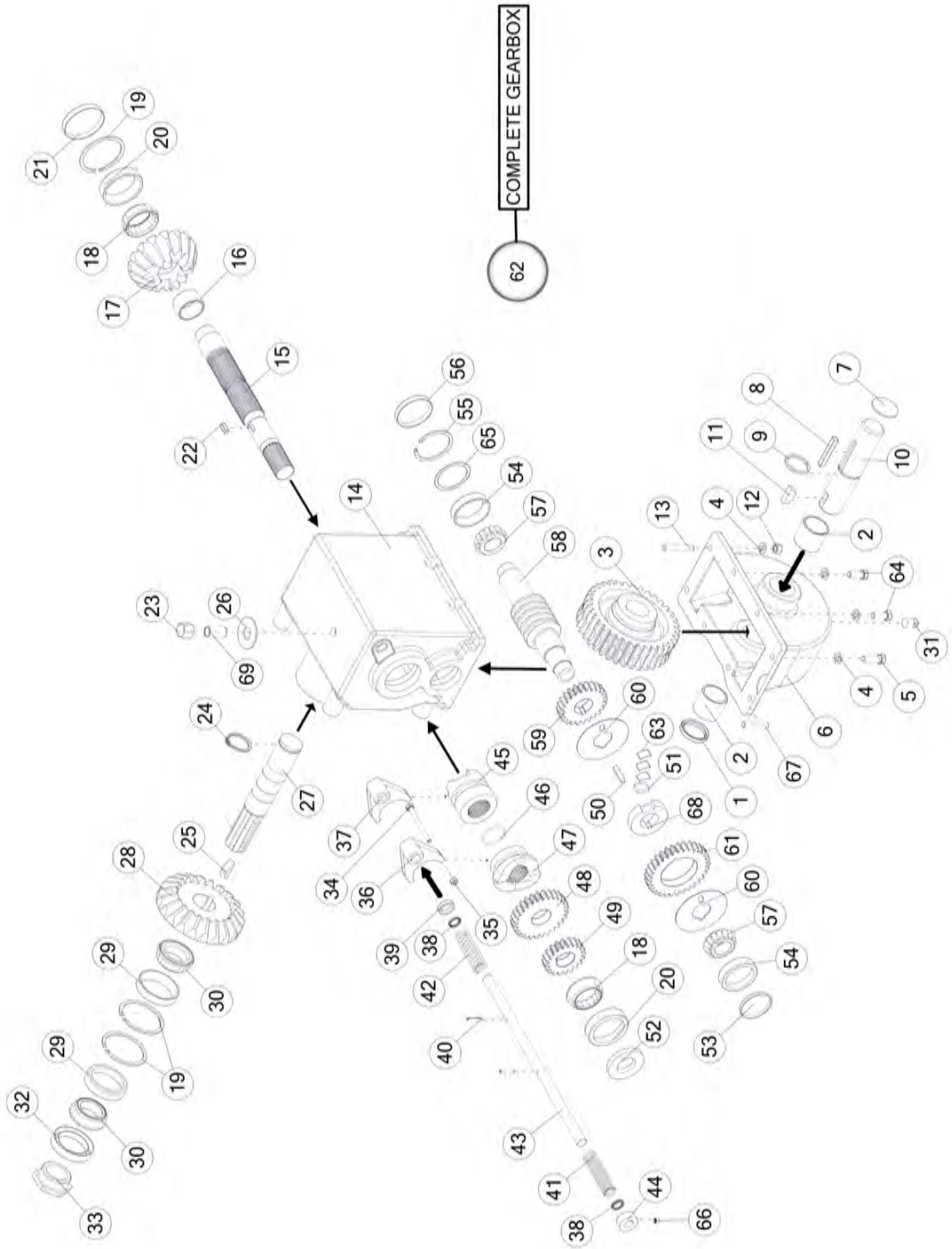


## FIGURE 12

### BEATER ASSEMBLY

<u>ITEM</u>	<u>QTY</u>	<u>PART #</u>	<u>DESCRIPTION</u>
1	1	71392	BEATER
2	1	71396	BEATER BLADE, SPLINE END
3	9	71391	BEATER BLADE
4	1	80N52	BEATER BEARING MOUNT
5	2	4C7	FLANGE, BEARING, Ø3.75 OD, Ø1.98 ID
6	1	4C8	BEARING W/COLLAR, 1.00" ASSY,
7	1	80N15	SHAFT GUARD
8	4	YBCR12010	CARR. BOLT, 3/8 X 1 GR. 5
9	3	YBHH12025	BOLT, 3/8-16 X 1-1/2 GR 5
10	10	YNNY12005	HEX NUT, NYLON LOCKNUT, 3/8
11	1	YNTL10005	WASHER, FLAT, 5/16 USS
12	1	YBHH10130	BOLT, 5/16 X 5 GR 5
13	1	YNTL10005	HEX NUT, TOP LOCK, 5/16-18

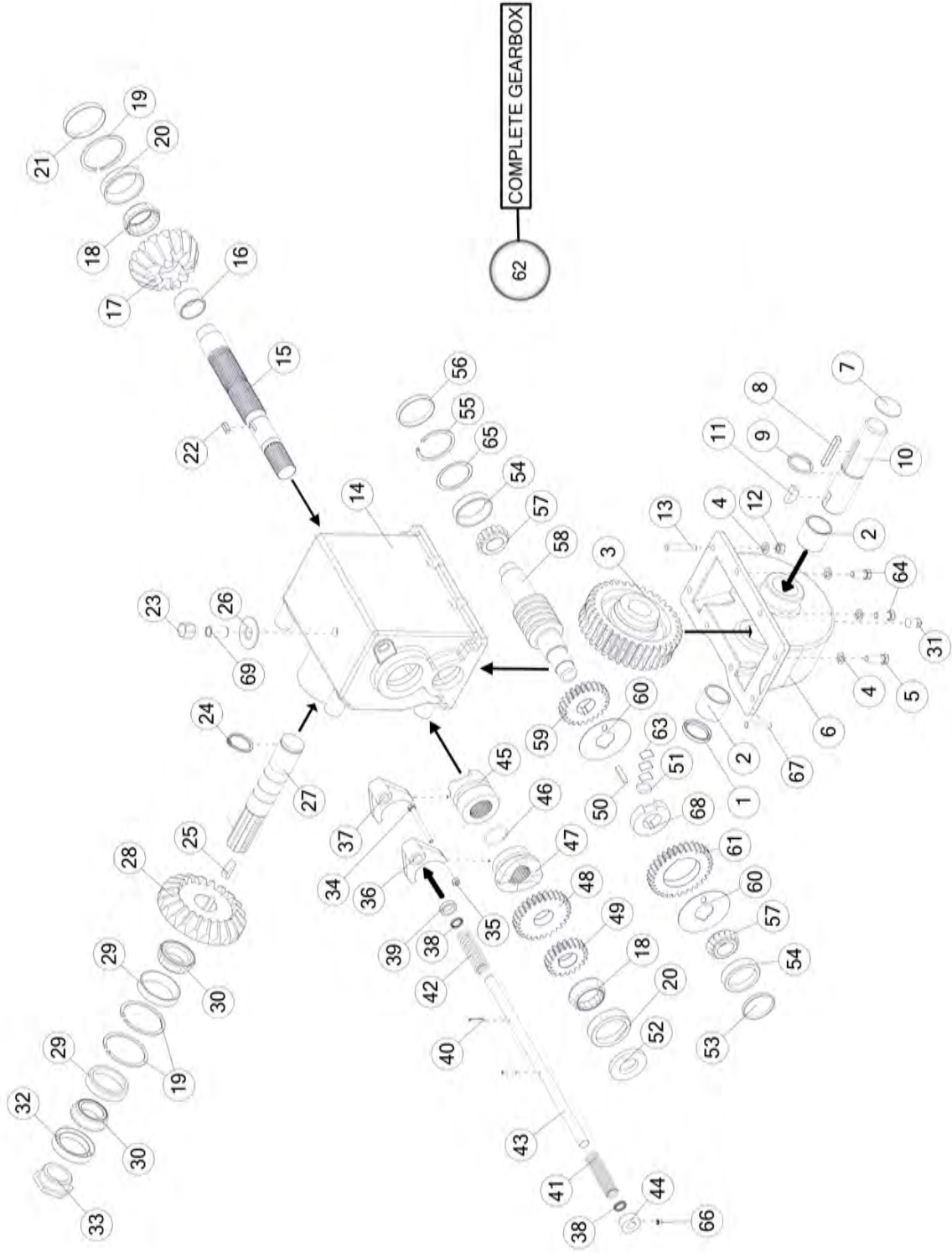
# FIGURE 13 GEARBOX



## FIGURE 13 GEARBOX

<u>ITEM</u>	<u>QTY</u>	<u>PART #</u>	<u>DESCRIPTION</u>
1	1	17G133	SEAL
2	2	17G134	BRONZE BUSHING
3	1	17G137	WORM GEAR (36T)
4	8	YWLO12005	WASHER LOCK, 3/8
5	2	YBHH12035	BOLT HEX, 3/8 X 1-1/4, G5
6	1	17G107	LOWER GEARBOX HOUSING
7	1	17G139	CAP
8	1	17G132	SQUARE KEY
9	1	17G135	SNAP RING
10	1	17G136	OUTPUT SHAFT
11	1	5B9	WOODRUFF KEY
12	2	YNHX12005	NUT HEX, 3/8 G2
13	2	17G140	SCR, STUD, 0.38-16 X 1.81
14	1	17G99	UPPER GEARBOX HOUSING
15	1	17G108A	INPUT SHAFT
16	1	17G111	BRONZE BUSHING
17	1	17G110	BEVEL GEAR (16T)
18	2	G18	TAPER BEARING
19	3	G55	INTERNAL SNAP RING
20	2	18VB25	RACE
21	1	G68	CAP
22	1	17G116	SQUARE KEY
23	1	17G58	VENT CAP
24	1	12V62	HEAVY DUTY EXTERNAL SNAP RING
25	1	G61	WOODRUFF KEY
26	1	YWFL24005	WASHER FLAT, 3/4 USS
27	1	17G104	OUTPUT SHAFT
28	1	17G101	BEVEL GEAR (22T)
29	2	17G102	RACE
30	2	17G103	TAPER BEARING
31	1	G65	PIPE PLUG, 3/8 NPT

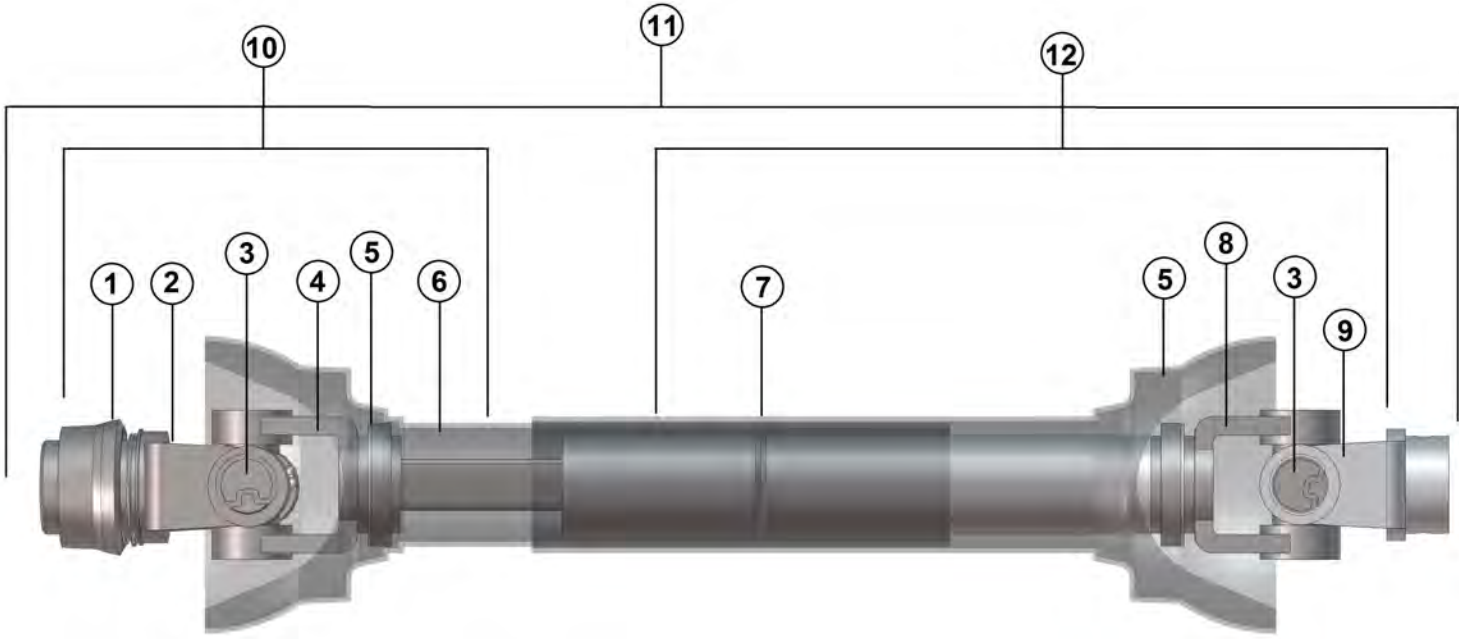
**FIGURE 13**  
**GEARBOX**



## FIGURE 13 GEARBOX

<u>ITEM</u>	<u>QTY</u>	<u>PART #</u>	<u>DESCRIPTION</u>
32	1	17G105	SEAL
33	1	17G106	NUT HEX, 1-1/2
34	1	YBHH08090	BOLT HEX, FULL THREAD, 1/4 X 3 G2
35	1	YNHX08007	HEX NUT, 1/4 G5
36	1	17G125	HIGH SPEED SHIFTER YOKE
37	1	17G129	BEATER SHIFTER YOKE
38	2	17G121	SEAL
39	1	17G122	TUBE, RND, STR, 1.06 X 0.14 X 0.25
40	2	17G123	ROLL PIN
41	1	17G128	SPRING
42	1	17G130	SPRING
43	1	17G131	SHIFTER ROD
44	1	17G171	LOCK COLLAR, 1-1/4
45	1	17G109	BEATER CLUTCH
46	1	17G169A	SNAP RING
47	1	17G119	HIGH SPEED CLUTCH
48	1	17G118	GEAR (28T)
49	1	17G115	LOW SPEED GEAR
50	1	S135	SQAURE KEY
51	1	17G124	KEY
52	1	S136	SEAL
53	1	17G100	CAP
54	2	3G18	RACE
55	1	3G19	INTERNAL SNAP RING
56	1	G90	CAP
57	2	L3G24	TAPER BEARING
58	1	17G120	SHAFT
59	1	17G117	HIGH SPEED GEAR
60	2	17G112	WASH FLAT
61	1	17G113	LOW SPEED GEAR
62	1	17G142	COMPLETE GEARBOX
63	3	17G126	DOG SPRING
64	4	YBHH12010	BOLT HEX, 3/8 X 1, G5
65	1	G92	STAINLESS SHIM, 2.40 OD X 2.00 ID, X .010
66	1	YSKP10015	SET SCREW, SOCKET, KNURLED CUP PT, 5/16 X 5/16
67	1	17G138	SCR, STUD, 0.38 X 2
68	1	17G114	LOW SPEED CLUTCH
69	1	23N288	PIPE NIPPLE, 0.38 X 1.25

**FIGURE 14**  
**PTO**





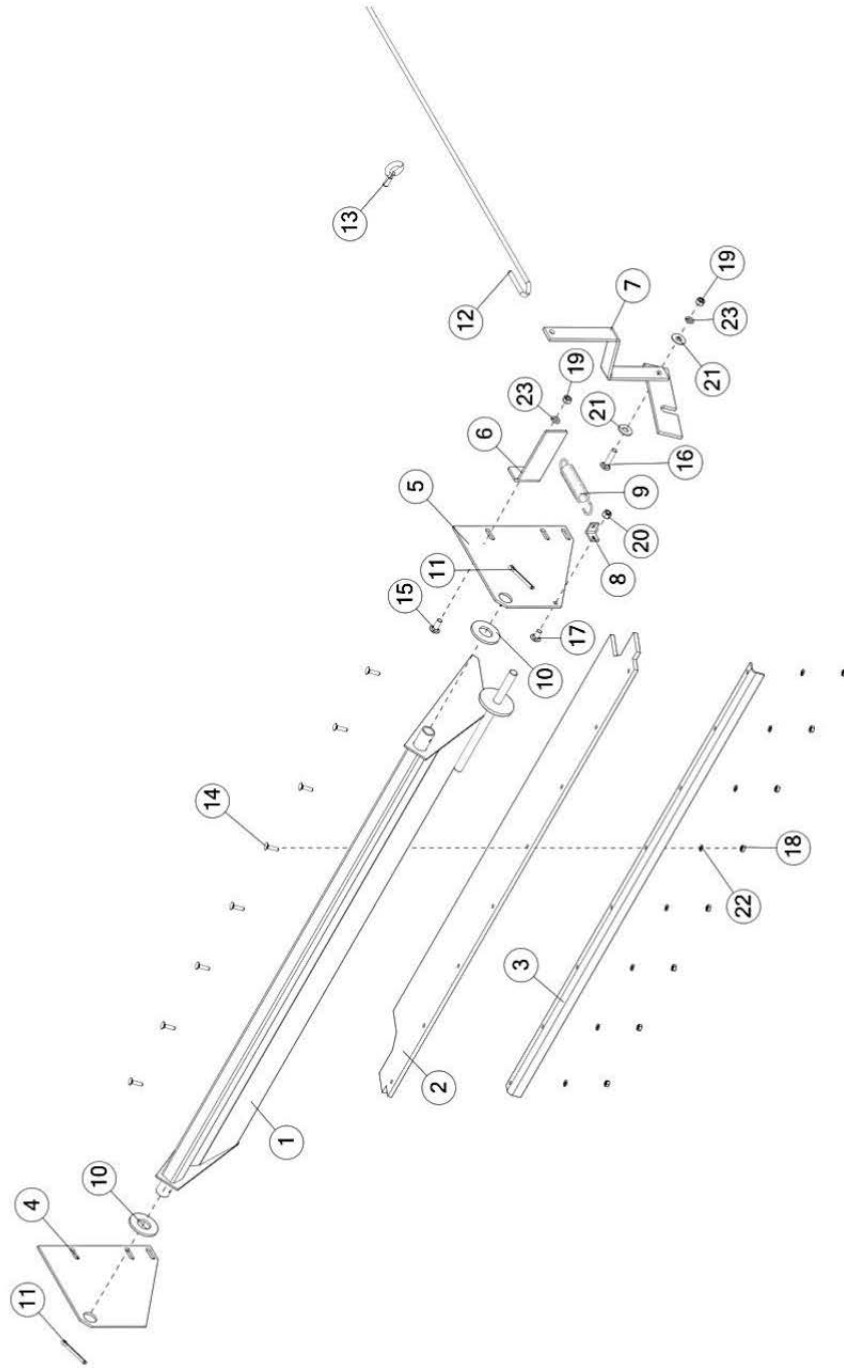
## **FIGURE 14**

### **PTO**

<b><u>ITEM</u></b>	<b><u>QTY</u></b>	<b><u>PART #</u></b>	<b><u>DESCRIPTION</u></b>
1	1	S225	SPRING-LOK REPAIR KIT
2	1	S379	SPRING-LOK YOKE ASSEMBLY
3	2	T274	12P CROSS AND BEARING KIT
4	1	80N88	YOKE AND SHAFT
5	2	S206	GUARD REPAIR KIT (NOT SHOWN)
6	1	80N90	INNER GUARD
7	1	80N89	OUTER GUARD
8	1	80N91	YOKE AND TUBE
9	1	80N92	YOKE
10	1	80N84	JOINT & SHAFT HALF ASSEMBLY W/ GUARD
11	1	80N83	COMPLETE PTO ASSEMBLY
12	1	80N86	JOINT & TUBE HALF ASSEMBLY W/ GUARD
*	1	S402	PTO SAFETY MANUAL

**\*MEANS NOT SHOWN**

**FIGURE 15**  
**OPTIONAL PAN**



## FIGURE 15 OPTIONAL PAN

<u>ITEM</u>	<u>QTY</u>	<u>PART #</u>	<u>DESCRIPTION</u>
1	1	80N1	PAN
2	1	12N53	PAN RUBBER
3	1	12N52	RUBBER FLAP ANGLE
4	1	80N2	PAN PLATE LH
5	1	80N3	PAN PLATE RH
6	1	80N82	PAN HANDLE STOP
7	1	5N67	PAN HANDLE
8	1	R26	SPRING ANGLE
9	1	R27	SPRING
10	2	R3	PAN SPACER
11	2	YPCT08007	COTTER PIN, 1/4 X 2
12	1	80N6	TRIP ROPE
13	1	YBTE12005	TURNTD EYE BOLT, 3/8 X 1
14	8	YBCR08005	BOLT CARRIAGE, 1/4 X 1 G5
15	1	YBCR12010	BOLT CARRIAGE, 3/8 X 1 G5
16	1	YBCR12030	BOLT CARRIAGE, 3/8 X 1-3/4 G5
17	1	YBCR12065	BOLT CARRIAGE, 3/8 X 3/4 G5
18	8	YNHX08005	NUT HEX, 1/4
19	2	YNHX12005	NUT HEX, 3/8 G2
20	1	YNTL12005	NUT HEX, TOP LOCK, 3/8
21	1	YWFL14005	WASHER FLAT, 7/16 USS
22	8	YWLO08005	WASHER LOCK, 1/4
23	2	YWLO12005	WASHER LOCK, 3/8

# PARTS NOTES

---

---

---

---

---

---

---

---

---

---

---

---

---

---

---

---

---

---

---

---

---

---

---

---

---

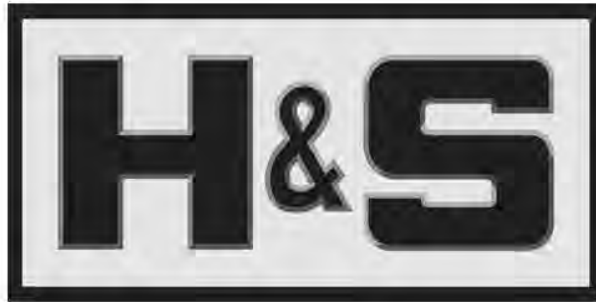
---

---

---

---





**H&S Manufacturing products are approved for the  
FEMA SEAL OF QUALITY**

**P.O. BOX 768, MARSHFIELD, WI 54449  
(715) 387-3414 FAX (715) 384-5463  
[www.hsmfgco.com](http://www.hsmfgco.com)**