

H&S PARTS BOOK

S2117 SPREADER



Revision #02
Starting Ser. #811PD17001

Part #72935
HSMFG0717

P.O. BOX 768, MARSHFIELD, WI 54449
(715) 387-3414 FAX (715) 384-5463
www.hsmfgco.com

CONTENTS

Instructions for Ordering Parts	1
Figure 1 - Beater and Pan Assembly	2-3
Figure 2 - Hub, Spindle & Box Parts	4-5
Figure 3 - Front Shields & Drive Assembly	6-7
Figure 4 - Back Shields & Drive Assembly	8-11
Figure 5 - Optional Hydraulic Endgate	12-13
Figure 6 - Apron Chain Assembly	14
Figure 7 - Optional Hydraulic Endgate Cylinder	15
Figure 8 - Gearbox	16-19
Figure 9 - PTO	20
Figure 10 - Optional Top Beater	21
Parts Notes	22

INSTRUCTIONS FOR ORDERING PARTS

All service parts should be ordered through your authorized H&S dealer. He will be able to give you faster service if you will provide them with the following:

1. Model & Serial Number - Both can be located on the side of the center bearing post above jack mount.
2. All references to left or right apply to the machine as viewed from the rear.
3. Parts should not be ordered from illustration only. Please order complete part number.
4. If your dealer has to order parts - give shipping instructions:

VIA truck - large pieces (please specify local truck lines)

VIA United Parcel Service (include full address)

H&S MFG. CO. INC.	
MARSHFIELD, WIS.	
MOD. NO.	<input type="text"/>
SER. NO.	<input type="text"/>
DESCR.	<input type="text"/>

PLEASE RECORD NUMBERS FOR YOUR UNIT FOR QUICK REFERENCE

ABOUT IMPROVEMENTS

H&S IS CONTINUALLY STRIVING TO IMPROVE IT'S PRODUCTS

We must therefore, reserve the right to make improvements or changes whenever it becomes practical to do so, without incurring any obligation to make changes or additions to the equipment previously sold.

FIGURE 1
BEATER AND PAN ASSEMBLY

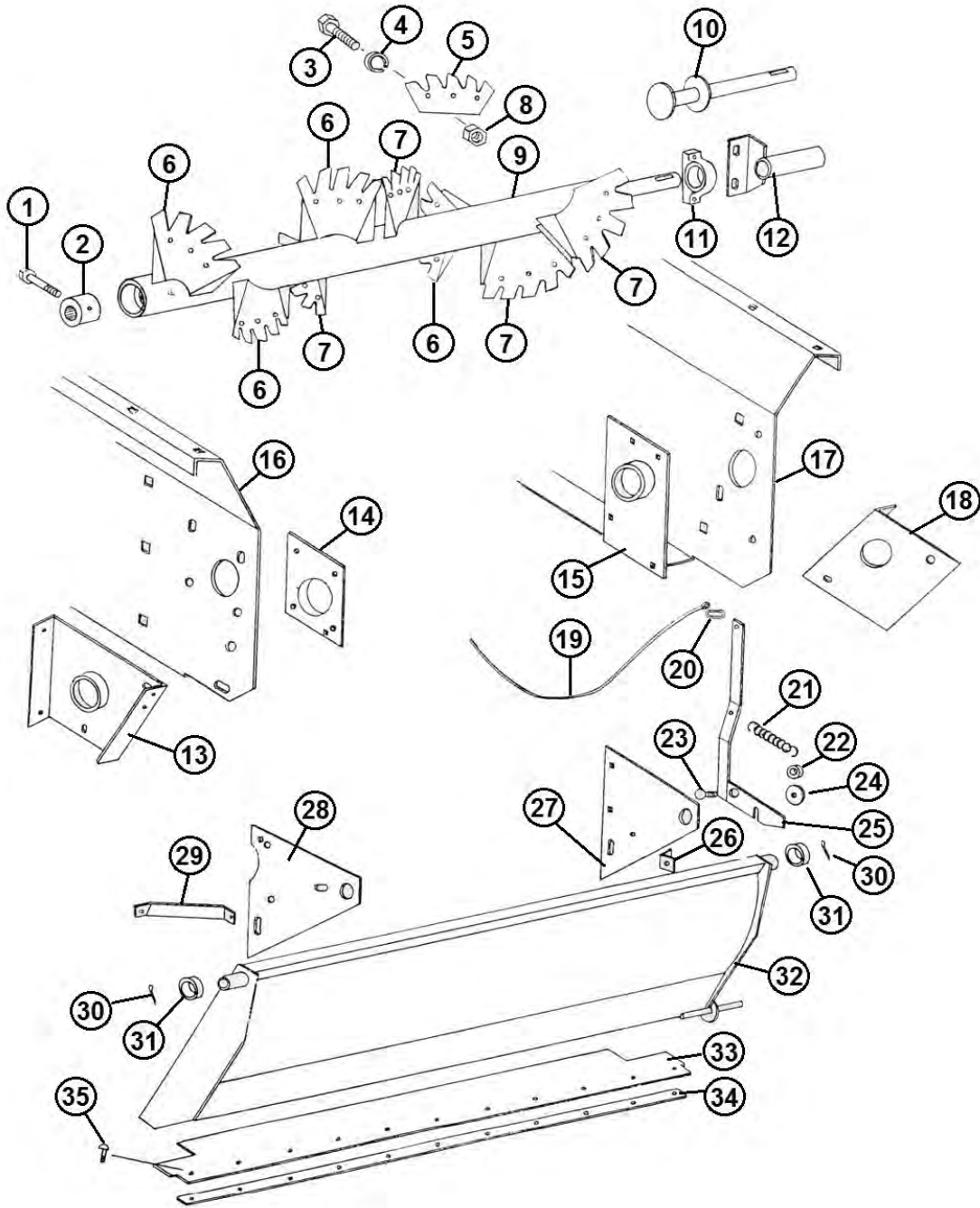


FIGURE 1

BEATER AND PAN ASSEMBLY

<u>ITEM</u>	<u>PART #</u>	<u>DESCRIPTION</u>
1	YBHH10130	BOLT, 5/16" X 5" GR. 5
2	23N2	SPLINED BEATER INSERT
3	YBHH16045	BOLT, 1/2" X 1-1/4" GR. 5
4	YWLO16005	WASHER, LOCK, 1/2"
5	17G2	REPLACEMENT BEATER COMB
6	17G3	LH BEATER BLADE
7	17G4	RH BEATER BLADE
8	YNL16005	HEX NUT, TOP LOCK, 1/2"-13
9	17G5	BEATER
10	17G6	BEATER STUB SHAFT
11	17G7	PILLOW BLOCK BEARING
12	17G8	STUB SHAFT SHIELD
13	17G9	LH DRIVE SHAFT MOUNT
14	17G10	LH ANTI-WRAP GUARD
15	17G11	RH ANTI-WRAP GUARD
16	17G12	LH SIDE PANEL
17	17G13	RH SIDE PANEL
18	17G14	RH DRIVE SHAFT MOUNT
19	17G15	PAN TRIP ROPE
20	R31	CLIP
21	R27	SPRING
22	23N23	SPACER
23	YBCR16010	CARR. BOLT, 1/2" X 1-1/2" GR. 5
24	YWFL16005	WASHER, FLAT, 1/2" USS
25	17G16	PAN TRIP LEVER
26	R26	ANGLE
27	17G17	RH PAN SUPPORT
28	17G18	LH PAN SUPPORT
29	17G19	PAN BRACE
30	YPCT06020	COTTER PIN, 3/16" X 2"
31	F112	SPACER
32	17G20	PAN
33	17G21	PAN RUBBER FLAP
34	17G22	PAN STRAP
35	YBCR08010	CARR. BOLT, 1/4" X 1-1/2"

FIGURE 2
HUB, SPINDLE & BOX PARTS

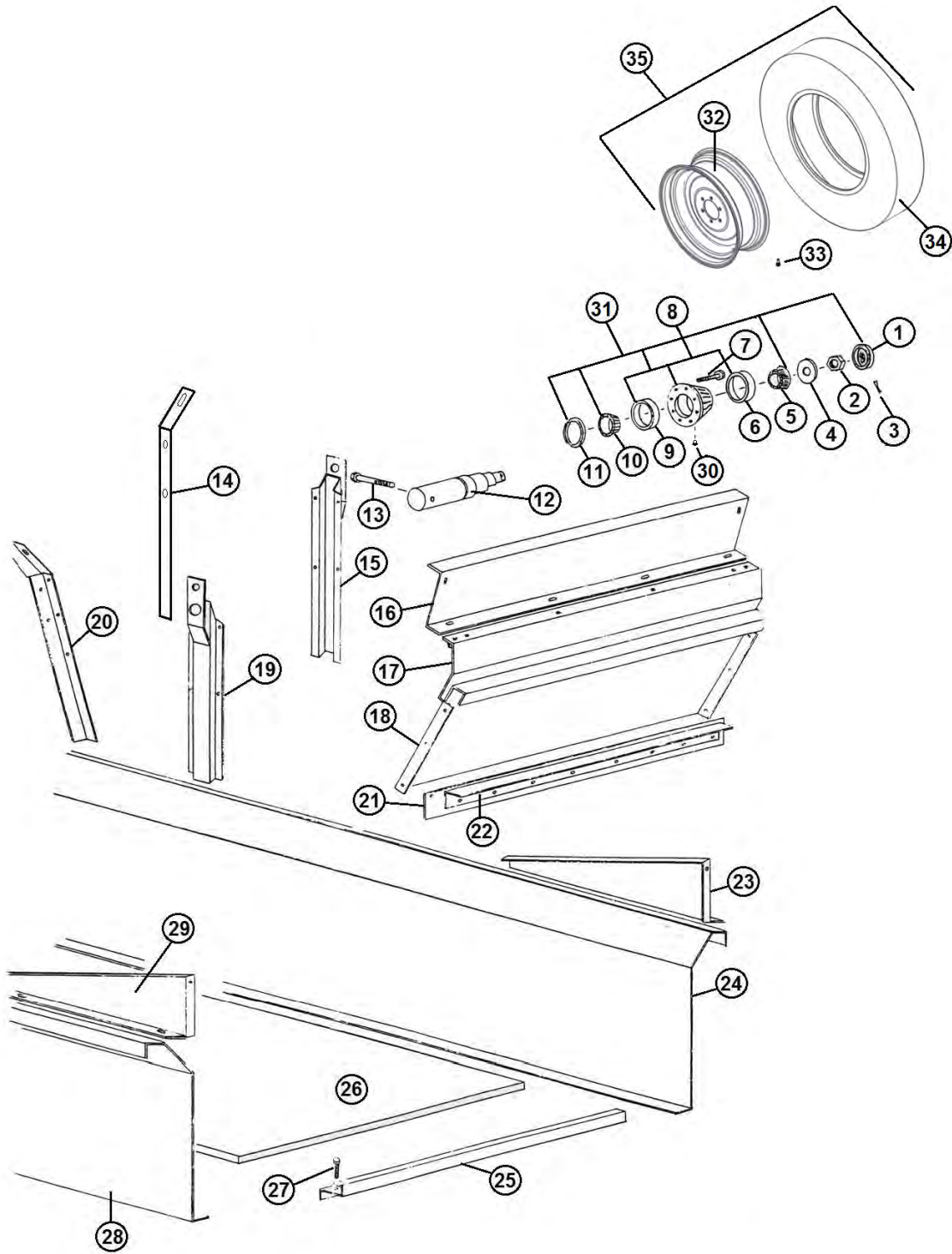


FIGURE 2

HUB, SPINDLE & BOX PARTS

<u>ITEM</u>	<u>PART#</u>	<u>DESCRIPTION</u>
1	17G144	HUB CAP
2	YNSL28005	NUT, SLOT, 7/8-14, NA, G2, NF
3	YPCT05020	COTTER PIN, 5/32 X 1-3/4
4	YWFL28005	WASHER, FLAT, 7/8 USS, ZINC
5	17G145	TAPERED ROLLER BEARING, 1.249 BORE
6	17G146	OUTER RACE
7	YBWL16005	BOLT, WHEEL, 1/2-20X1, GR5, ZC
8	75974	ASSM, HUB 783, WITH RACES
9	17G149	INNER RACE
10	17G150	INNER BEARING
11	17G151	GREASE SEAL
12	17G152	RH SPINDLE
*	17G153	LH SPINDLE
13	YBHH16130	BOLT, HEX, 1/2-13 X 4, G5, ZC
14	17G24	ASSY, LH BACK STAKE
15	17G25	ASSY, LH SIDE STAKE
16	17G26	FRONT SPLASH
17	17G27	FRONT FLARE
18	17G28	FRONT PANEL
19	17G189	RH SIDE STAKE
20	17G29	ASSY, RH REAR STAKE
21	17G30	FRONT RUBBER
22	17G31	ANGLE FOR RUBBER
23	17G32	SPLASH GUARD SIDE LH
24	17G12	LH SIDE PANEL
25	17G33	FRONT POLY FLOOR HOLD DOWN
26	17G158	POLY PLYWOOD, 175 BU FLOOR, 7 PLY - 5/8" X 54" X 120"
27	YBCR12015	BOLT, CARR, 3/8-16 X 1-1/2, G5, ZC
28	17G13	RH SIDE PANEL
29	17G36	SPLASH GUARD SIDE RH
30	54595	ZERK, 1/8-27 NPT
31	17G148	ASSY, HUB
32	55621	WHEEL, 22.5X8.25, 6.00BC OFF-WHITE
33	72438	VALVE STEM, 1-1/2" HEX NUT
34	UR19	TIRE, 295/75R22.5, RECAP, HIGHWAY TREAD
35	69974	10R-22.5 X 8.25, 6.00 BC, O

NOTE: * MEANS NOT SHOWN

FIGURE 3

FRONT SHIELDS & DRIVE ASSEMBLY

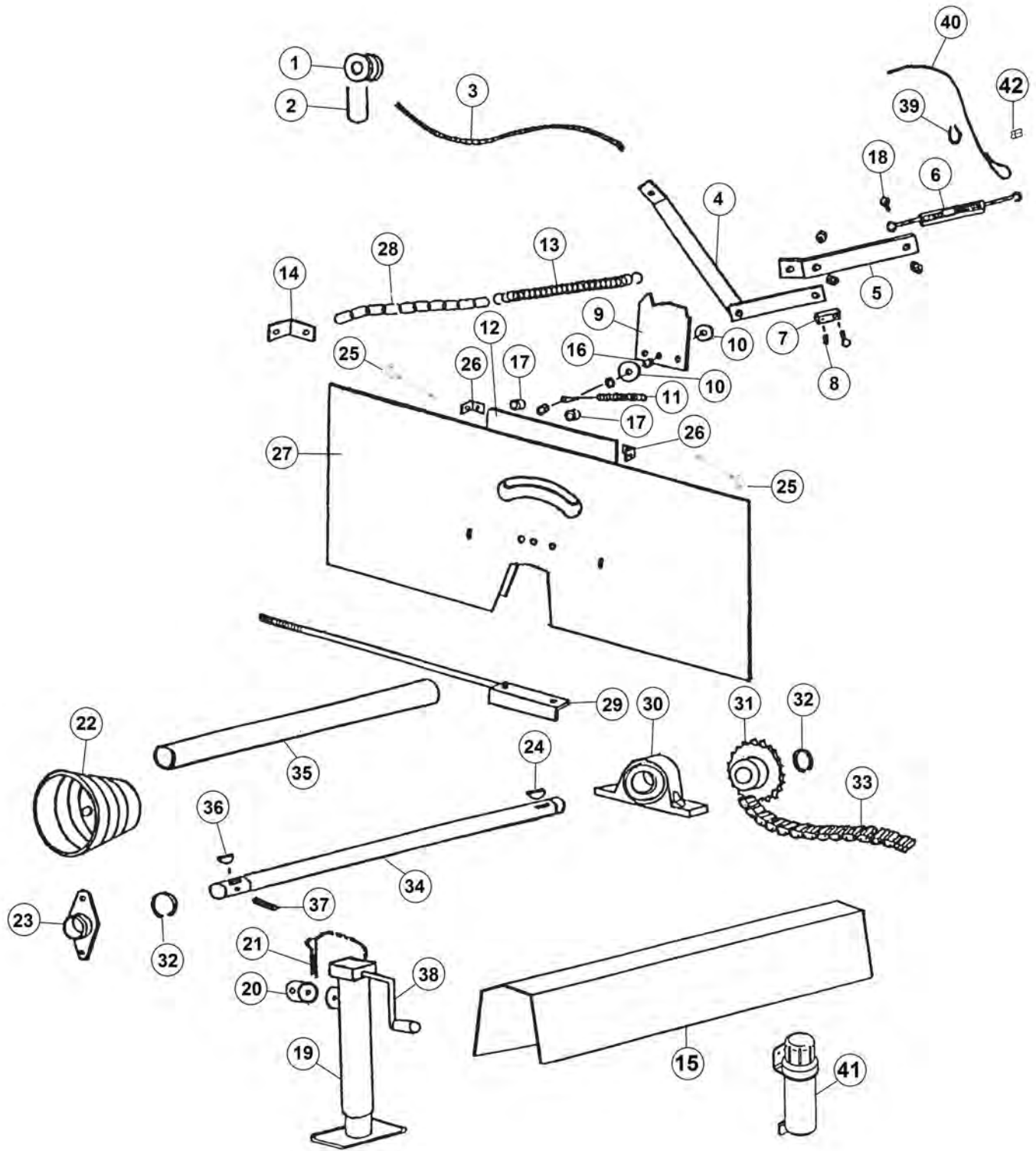


FIGURE 3

FRONT SHIELDS & DRIVE ASSEMBLY

<u>ITEM</u>	<u>PART #</u>	<u>DESCRIPTION</u>
1	F33	CABLE GUIDE
2	YBPU08005	PIPE U BOLT, 1/4"-20 X 3/4" PIPE, 1-1/4" ID, 2-1/4" IL, 1-1/4" THREAD
3	23N183	ROPE
4	23N280	SHIFT LEVER
5	23N281	PIVOT LINK
6	F84	TURNBUCKLE
7	23N282	SHIFTER DOG
8	G89	GREASE ZERK
9	23N283	STOP BRACKET
10	YWCU12005	WASHER, CUSTOM, FLAT, .435"
11	23N284	SHIFTER DOG SPRING
12	17G172	
13	10R14	FRONT PANEL
14	17G177	SPRING
15	17G157	SPRING MOUNT ANGLE
16	23N297	FRONT SHAFT SHIELD
17	ST81	TUBE, RND, STR, 0.75 X 0.19 X 0.21, DOM
18	YBCR12010	SPACER
19	12N116	CARR. BOLT, 3/8" X 1" GR. 5
20	12N121	JACK
21	12N117	JACK MOUNT
22	17G45	JACK PIN
23	12N29	PTO SHIELD
24	5B9	BEARING
25	YPLY08010	3/8" X 1-1/4" WOODRUFF KEY
26	R26	LYNCH PIN, 1/4" X 1-1/2"
27	17G173	SHIELD BRACKET
28	76054	FRONT POLY SHIELD
29	17G48	CHAIN
30	17G7	TIGHTENER ROD
31	23N70	PILLOW BLOCK BEARING
32	F73	25T SPROCKET
33	17G49	SNAP RING
34	17G50	#60 CHAIN 116 PITCHES
35	17G179	FRONT SHAFT
36	5B10	FRONT SHAFT PVC GUARD
37	YPEX10020	1/4" X 1" WOODRUFF KEY
38	12N12	EXPANSION PIN, 5/16" X 2-1/4"
39	F44	HANDLE
40	17G174	CABLE LOOP
41	S522	CABLE
42	71279	MANUAL HOLDER
		SLEEVE, 0.13 X 0.63

NOTE: * MEANS NOT SHOWN

FIGURE 4
BACK SHIELDS & DRIVE ASSEMBLY

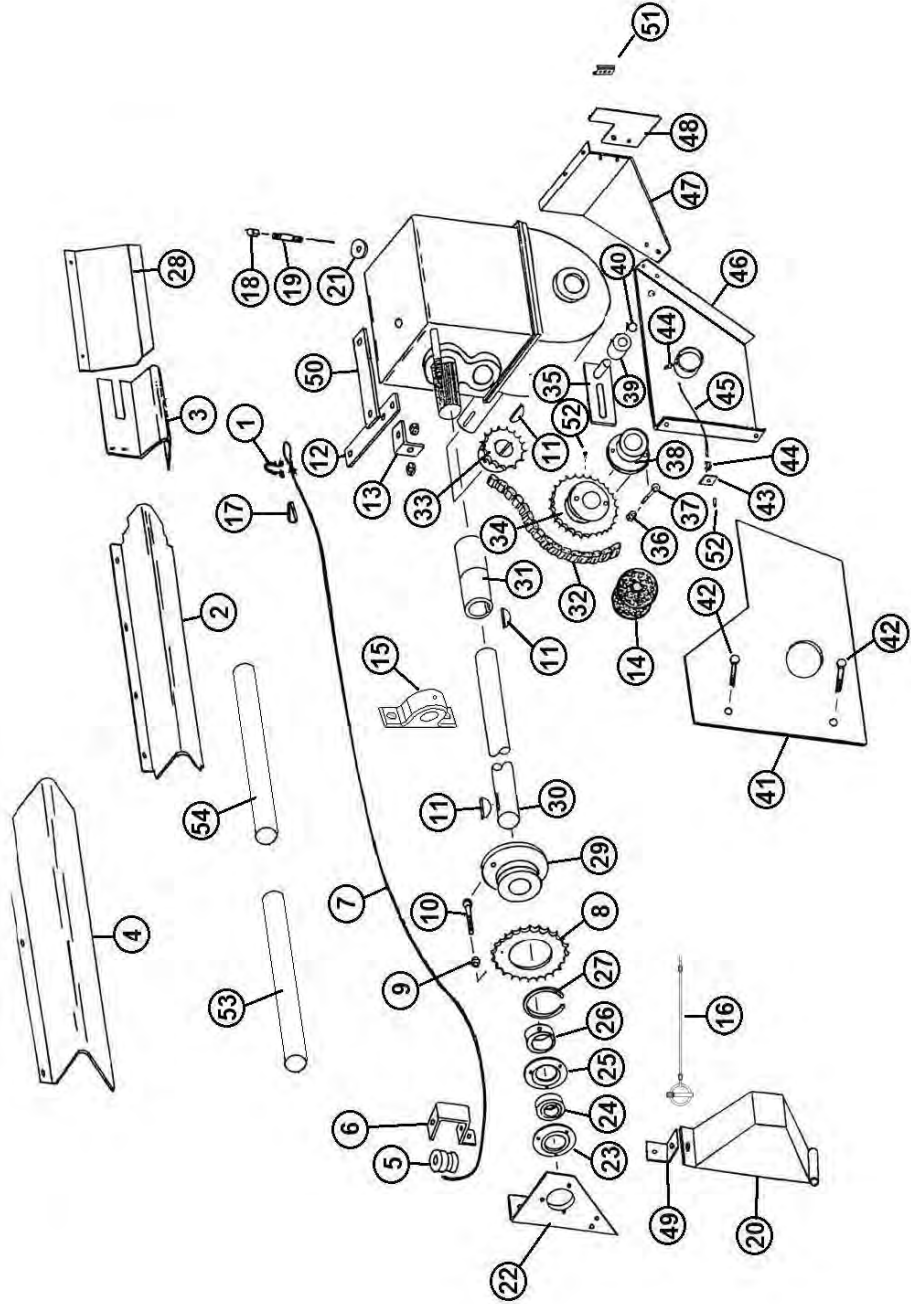


FIGURE 4

BACK SHIELDS & DRIVE ASSEMBLY

<u>ITEM</u>	<u>PART #</u>	<u>DESCRIPTION</u>
1	BFR220	CABLE CLAMP
2	17G52	BACK SIDE SHIELD
3	17G175	COUPLER SHIELD
4	17G54	FRONT SIDE SHIELD
5	F33	SIDE CABLE GUIDE
6	17G55	ROPE GUIDE BRACKET
7	17G40	CABLE
8	23N191	30T SPROCKET
9	YNTL10005	HEX NUT, TOP LOCK, 5/16"-18
10	YBHH10030	BOLT, 5/16" X 1-1/2" GR. 5
11	5B9	3/8" X 1-1/4" WOODRUFF KEY
12	23N290	SHIFTER ROD LEVER SHIFTER
13	23N291	ROD ANGLE
14	23N258	CHAIN OILER
15	12N36	COMP. BEARING ASSM.
16	S122	LANYARD, CLIP PIN CABLE
17	F44	LOOP
18	17G58	VENT CAP
19	23N288	PIPE NIPPLE
20	17G76	SHIELD
21	17G61	WASHER
22	17G62	BEARING PLATE
23	F14	BEARING FLANGE
24	12N122	BEARING WITH LOCK COLLAR
25	F114A	FLANGE
26	F16	LOCK COLLAR
27	23N189	SNAP RING

FIGURE 4
BACK SHIELDS & DRIVE ASSEMBLY

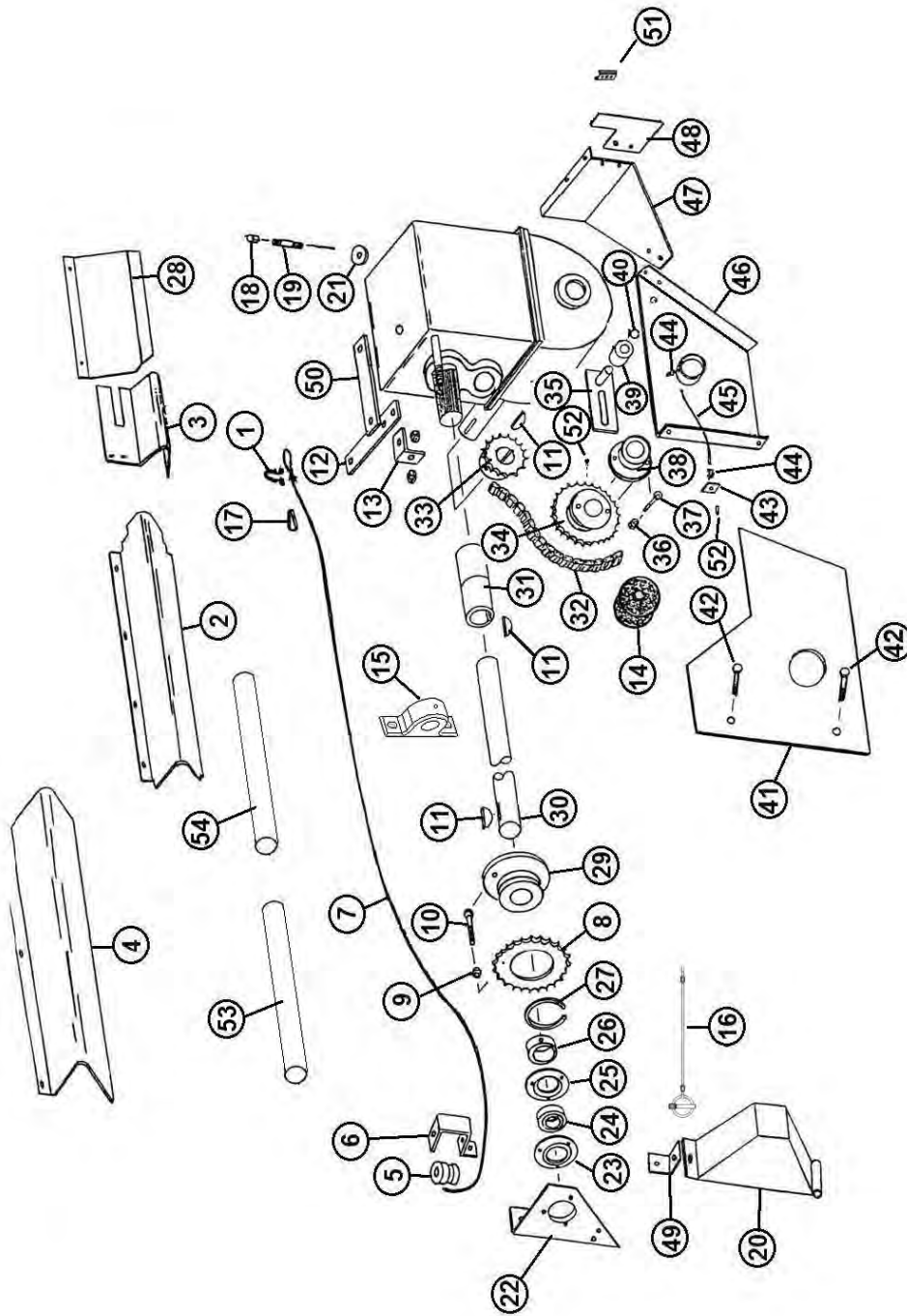


FIGURE 4

BACK SHIELDS & DRIVE ASSEMBLY

<u>ITEM</u>	<u>PART #</u>	<u>DESCRIPTION</u>
28	17G176	SHIFTER SHIELD
29	23N190	SHEAR HUB
30	17G64	SIDE SHAFT
31	17G65	COUPLER
32	17G66	#60 CHAIN 53 PITCHES
33	17G67	WORM GEAR SPROCKET
34	17G68	SHEAR HUB SPROCKET
35	17G69	CHAIN TIGHTENER BRACKET
*	17G70	COMPLETE TIGHTENER
36	YNTL10005	HEX NUT, TOP LOCK, 5/16"-18
37	YBHH10030	BOLT, 5/16" X 1-1/2" GR. 5
38	17G71	SHEAR HUB
39	23N238	CHAIN TIGHTENER ROLLER
40	10R32	SNAP RING
41	17G72	BACK POLY SHIELD
42	12V3	5/16" SELF-TAPPING BOLTS
43	16V9	GREASE ZERK BLOCK
44	S47	GREASE LINE FITTING
45	17G73	GREASE LINE
46	17G9	LH DRIVE SHAFT MOUNT
47	17G74	GEARBOX BRACE
48	17G75	SMV BRACKET
49	23N242	SHIELD ANGLE
50	23N289	SHIFTER ROD LEVER FOLCRUM
51	F97	SMV BRACKET
52	G89	STRAIGHT ZERK 1/4-28X90
53	32058	#1 SIDE SHAFT GUARD - FRONT
54	32057	#2 SIDE SHAFT GUARD - BACK

NOTE: * MEANS NOT SHOWN

FIGURE 5
OPTIONAL HYDRAULIC ENDGATE

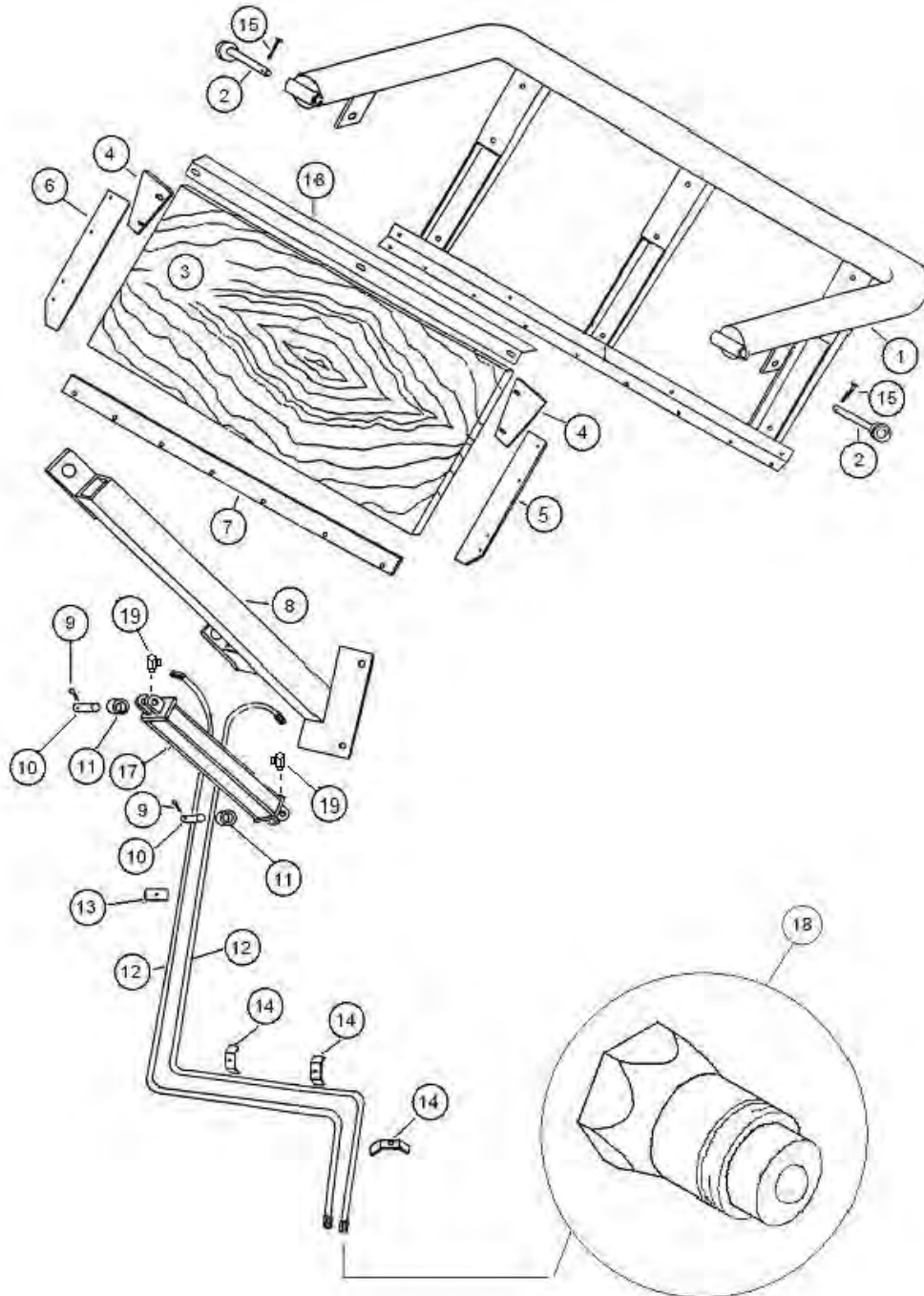


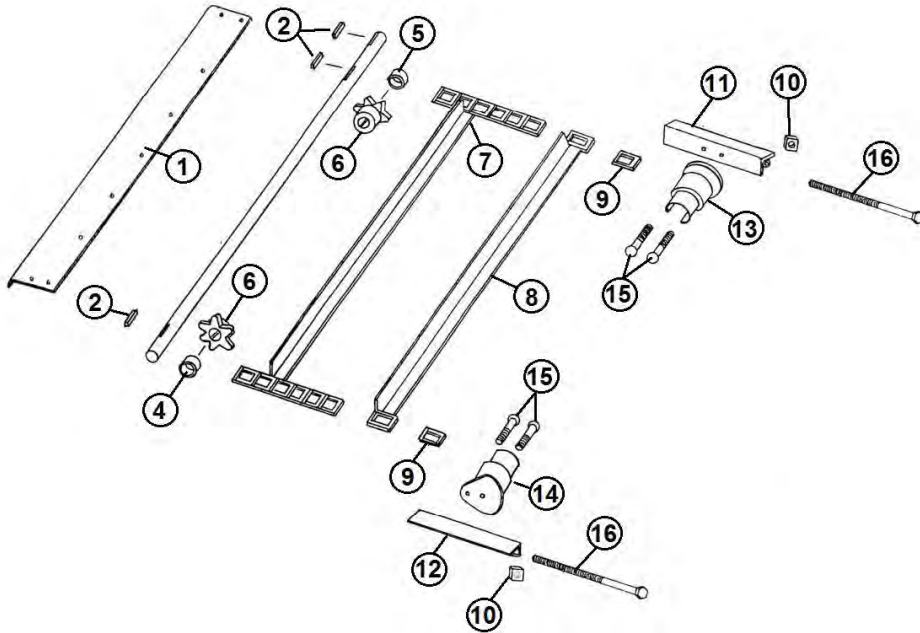
FIGURE 5

OPTIONAL HYDRAULIC ENDGATE

<u>ITEM</u>	<u>PART #</u>	<u>DESCRIPTION</u>
1	17G77	TAILGATE FRAME
2	17G78	TAILGATE PIN
3	17G79	TAILGATE PLYWOOD
4	17G80	TAILGATE CORNER
5	17G81	LH SIDE RUBBER
6	17G82	RH SIDE RUBBER
7	17G83	BOTTOM RUBBER
8	17G84	TAILGATE MOUNTING TUBE
9	YPCT07005	COTTER PIN, 7/32" X 2 " CYLINDER
10	23N107	PIN
11	K132	SPACER
12	23N302	22' HOSE
13	17G87	HOSE BRACKET
14	23N67	HOSE BRACKET
15	YBHH10080	BOLT, 5/16" X 2-1/2" GR. 5
16	17G160	TAILGATE PLYWOOD HOLD DOWN
17	56015	HYDRAULIC CYLINDER
18	DWM205	MALE QUICK COUPLER
19	DWM110	ADAPTER, 3/8" MALE TO 3/8" FEMALE, 90 DEG. SWIVEL

FIGURE 6

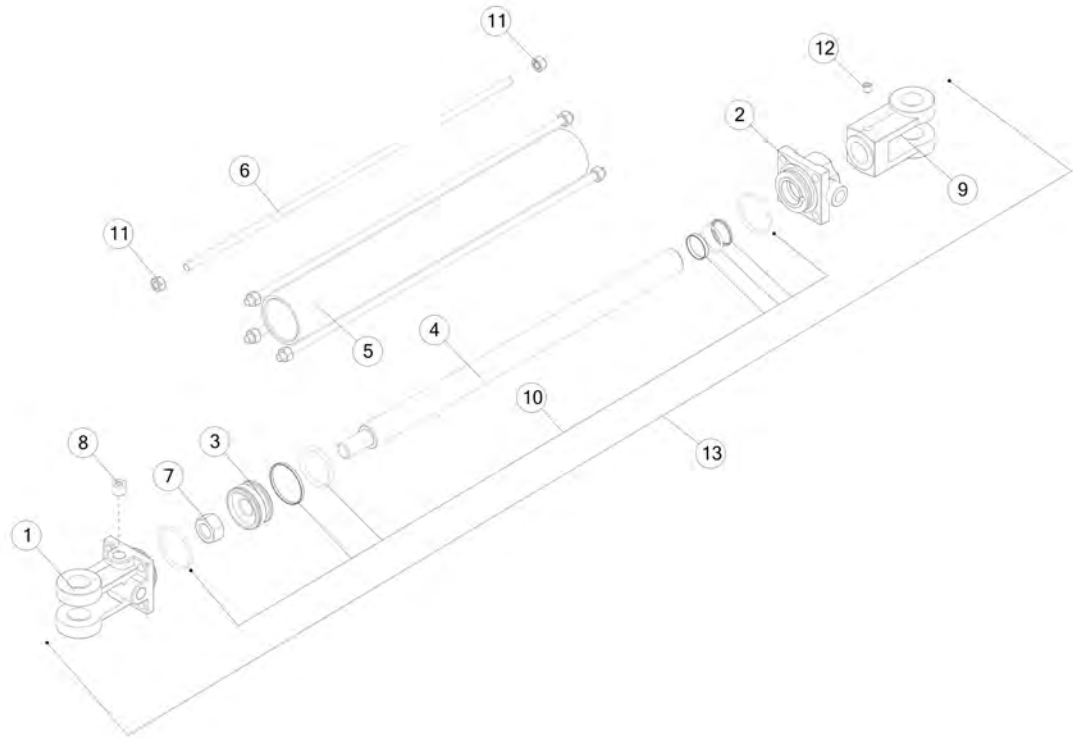
APRON CHAIN ASSEMBLY



<u>ITEM</u>	<u>PART #</u>	<u>DESCRIPTION</u>
1	17G88	DRIVE SHAFT SHIELD
2	A32	3/8" X 1-3/8" SQUARE KEY
3	17G89	DRIVE SHAFT
4	17G90	SPACER
5	17G91	SPACER
6	23N122	6T SPROCKET
7	17G92	APRON CHAIN 15 SLATS, 188 LINKS
8	17G93	SLAT W/ ATT. LINKS
9	S55	T-ROD STANDARD LINK
10	A20	1/2" SQUARE NUT
11	17G94	CHAIN SLIDE ANGLE LH
12	17G95	CHAIN SLIDE ANGLE RH
13	17G96	T-ROD SLIDE LH
14	17G97	T-ROD SLIDE RH
15	YBCR16030	CARR. BOLT, 1/2" X 2-1/2" GR. 5
16	YBHH16190	BOLT, 1/2" X 9-1/2" GR. 5

FIGURE 7

OPTIONAL HYDRAULIC ENDGATE CYLINDER



<u>ITEM</u>	<u>PART #</u>	<u>DESCRIPTION</u>
1	23N142A	CLEVIS CAP FOR 2.0" CYLINDERS
2	56174	ROD CAP
3	56180	PISTON FOR 2" CYLINDER
4	23N145A	ROD
5	23N146	CYL. TUBE
6	23N147	SHAFT, RND, 0.33 X 20.19
7	23N148	PISTON NUT
8	23N149	PLUG
9	23N150A	ROD CLEVIS
10	56187	SEAL KIT FOR 2" CYLINDER
11	YNHX12006	NUT, HEX, 3/8-24, NA, G2, ZC
12	YSSO12015	SET SCREW, SOCKET, 3/8-24 X 3/8
13	56015	2" X 16" HYDRAULIC CYLINDER

FIGURE 8 GEARBOX

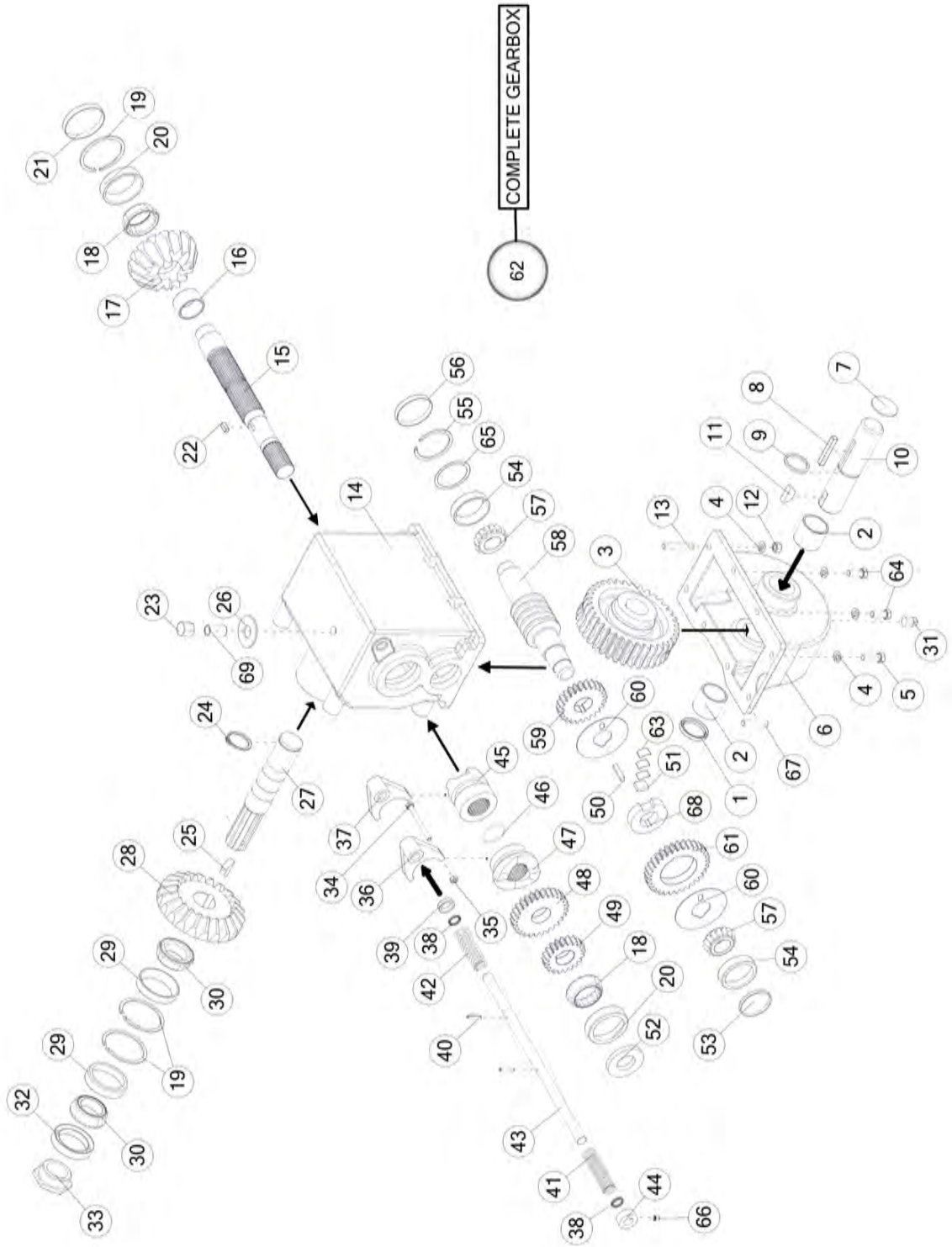


FIGURE 8

GEARBOX

<u>ITEM</u>	<u>QTY</u>	<u>PART #</u>	<u>DESCRIPTION</u>
1	1	17G133	SEAL, 1.88 X 1.50 X 0.25
2	2	17G134	BSH, 1.75 X 1.50 X 1.50, BRZ
3	1	17G137	GEAR, WORM, 36T, 6 PITCH, 2 SPEED GEAR BOX
4	8	YWLO12005	WASHER, LOCK, 3/8
5	2	YBHH12035	BOLT, HEX, 3/8-16 X 1-1/4, G5, ZC
6	1	17G107	CAST, HSG, GRBX, LOWER
7	1	17G139	CAP, 1.75
8	1	17G132	KEY, SQ, 0.31 X 0.31 X 2.25
9	1	17G135	SNAP RING, 1.424 ID X .125 WT
10	1	17G136	SHAFT, RND, 1.50, 7.093, WORM GEAR OUTPUT
11	1	5B9	KEY, WDF, 0.38 X 0.53 X 1.25
12	2	YNHX12005	HEX NUT, 3/8-16 GR 2
13	2	17G140	SCR, STUD, 0.38-16 X 1.81
14	1	17G99	CAST, HSG, GRBX, UPPER
15	1	17G108A	SHAFT, RND, 1.75, 12.82, PTO INPUT
16	1	17G111	BSH, 1.75 X 1.5 X 1.0, BRZ
17	1	17G110	GEAR, BEVEL, 16T, WITH 4 JAW
18	2	G18	BRG, 2.24 X 1.58 X .82, TAPER
19	3	G55	RING, SNAP, INTERNAL, 3.02 X 2.64
20	2	18VB25	BEARING, ROLL, CUP, 2.72,
21	1	G68	CAP, 2.72
22	1	17G116	KEY, SQ, 0.25 X 0.25 X 0.63
23	1	17G58	VENT CAP
24	1	12V62	HEAVY DUTY EXTERNAL SNAP RING, 1.50" KEY,
25	1	G61	WDF, 0.38 X 0.55 X 1.25
26	1	YWFL24005	WASHER, FLAT, 3/4 IN USS
27	1	17G104	SHAFT, RND, 1.50, 9.0, BEATER OUTPUT GEAR,
28	1	17G101	BEVEL, 22T
29	2	17G102	BEARING, ROLL, CUP, 2.72,
30	2	17G103	BRG, 2.35 X 1.50 X 0.75, TAPER
31	1	G65	PLUG, PIPE 3/8-18 NPT

FIGURE 8 GEARBOX

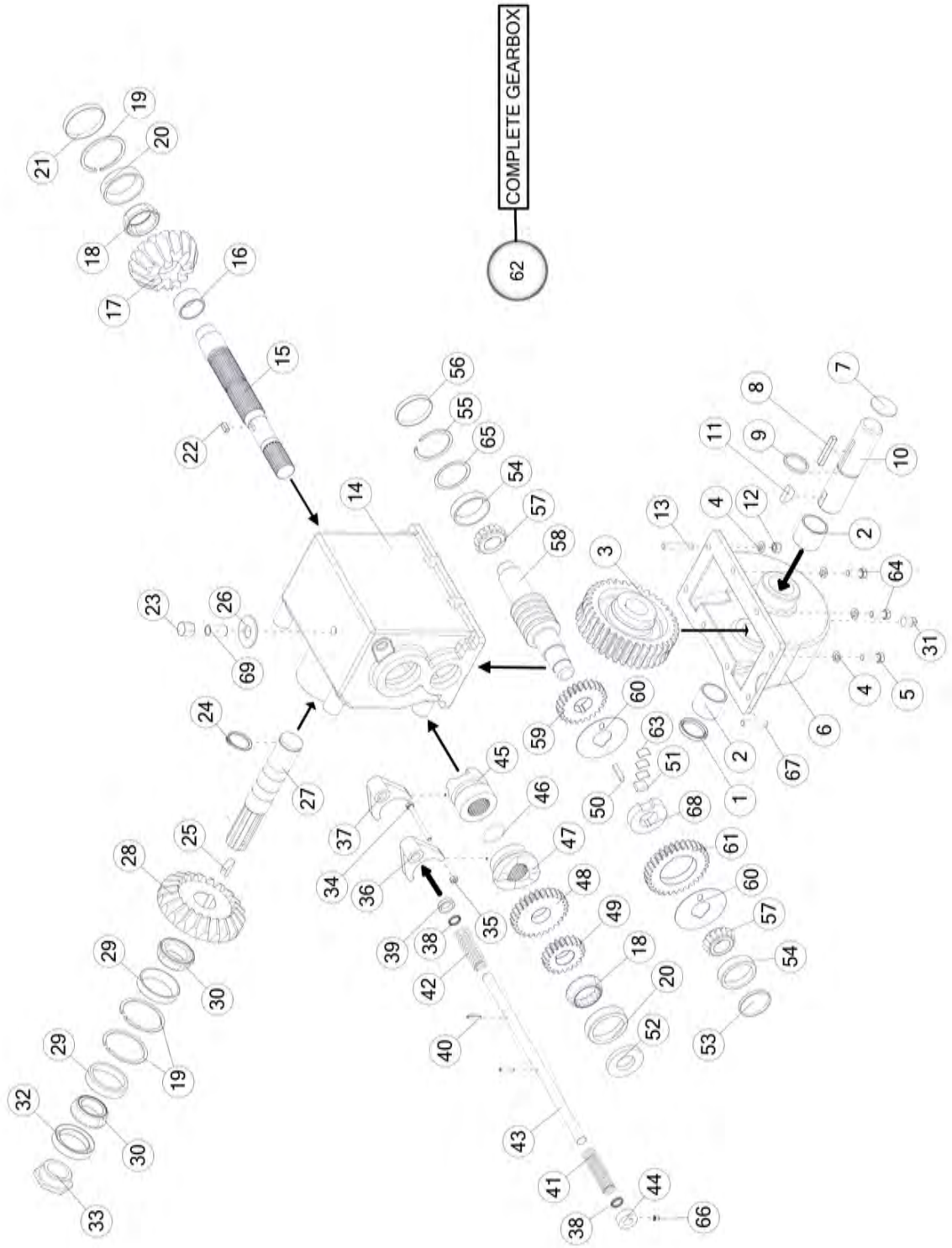


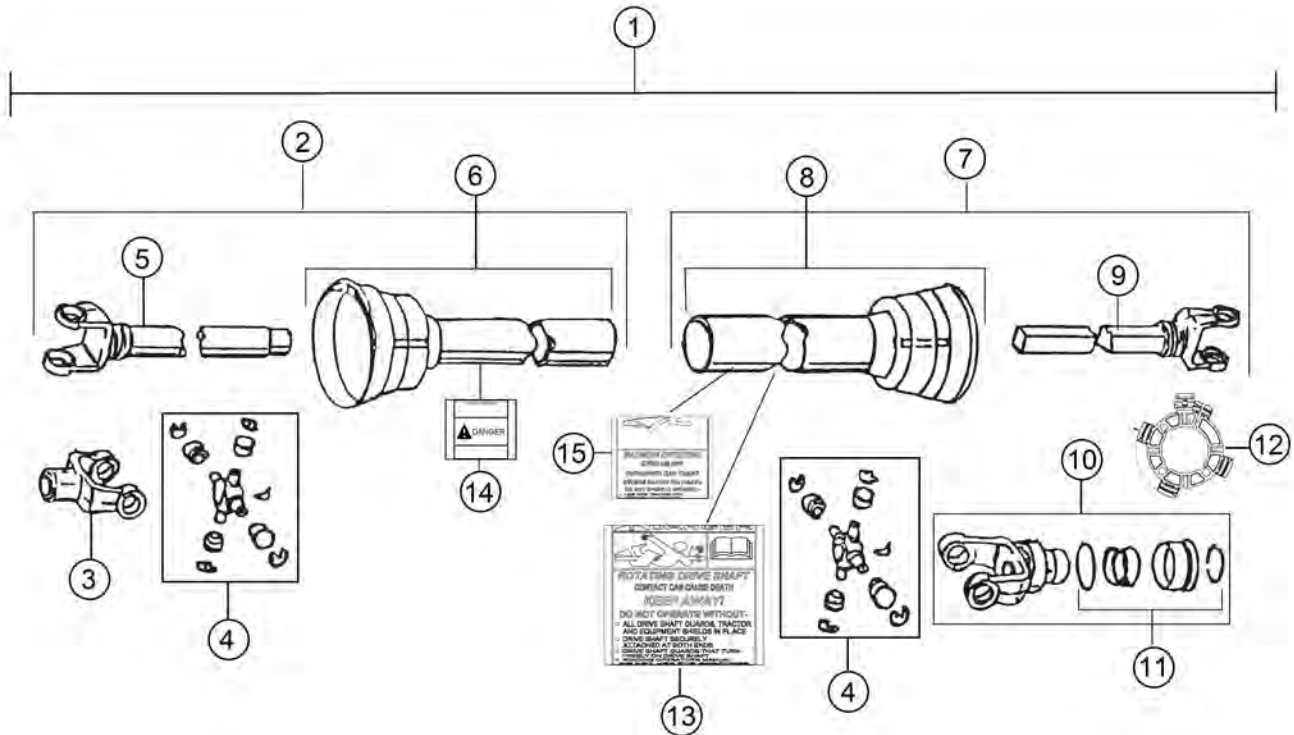
FIGURE 8

GEARBOX

<u>ITEM</u>	<u>QTY</u>	<u>PART #</u>	<u>DESCRIPTION</u>
32	1	17G105	SEAL, 2.72 BORE, 2.00 SHAFT
33	1	17G106	NUT, HEX, 1.50-18, NA
34	1	YBHH08090	BOLT, 1/4 X 3 GR 2 FULL THREAD
35	1	YNHX08007	HEX NUT, 1/4-20 GR 5
36	1	17G125	YOKE, SHIFTER, HIGH SPEED
37	1	17G129	YOKE, SHIFTER, BEATER
38	2	17G121	SEAL, .813 BORE X .625 SHAFT
39	1	17G122	TUBE, RND, STR, 1.06 X 0.14 X 0.25
40	2	17G123	PIN, ROLL, 0.19 X 1.0, ZN
41	1	17G128	SPRG, COIL, 3.36, COMP
42	1	17G130	SPRG, COIL, 3.13, COMP
43	1	17G131	SHAFT, RND, 0.625, 15.0, SHIFTER ROD
44	1	17G171	COLLAR, LOCK, 1.25X.629,
45	1	17G109	BEATER CLUTCH, 2 SPEED GEAR BOX
46	1	17G169A	RING, SNAP, 1.57 X 1.38
47	1	17G119	HIGH SPEED CLUTCH, 2 JAW
48	1	17G118	GEAR, 28T, HIGH SPEED W/2 JAWS GEAR,
49	1	17G115	LOW SPEED, 2 SPEED GEAR BOX
50	1	S135	KEY, SQ, 0.25X0.25X1.25
51	1	17G124	KEY, 0.75 X 0.25 X 0.56
52	1	S136	SEAL, OIL, 1.25 ID X 2.44 OD X .31 THK
53	1	17G100	CAP, 2.14
54	2	3G18	BEARING, ROLL, CUP, 2.54,
55	1	3G19	RING, SNAP, INTERNAL, 2.59 X 2.22
56	1	G90	CAP
57	2	L3G24	BRG, 1.75 X 1.13 X 0.81, TAPER
58	1	17G120	SHAFT, RND, 2.33, 9.84
59	1	17G117	GEAR, HIGH SPEED, 2 SPEED GEARBOX
60	2	17G112	WASH, FLAT, 3.50, 1.26
61	1	17G113	LOW SPEED GEAR, 2 SPEED GEARBOX
62	1	17G142	ASSM, 2 SPEED GEARBOX
63	3	17G126	SPRG, DOG, 0.552 X 0.75
64	4	YBHH12010	BOLT, HEX, 3/8-16 X 1, G5, ZC
65	1	G92	SHIM, STAINLESS, 2.40" OD X 2.00" ID, X .010
66	1	YSKP10015	SET SCREW, SOCKET, KNURLED CUP PT, 5/16 X 5/16
67	1	17G138	SCR, STUD, 0.38-16 X 2.0
68	1	17G114	CLUTCH, LOW SPEED, 2 SPEED GEARBOX
69	1	23N288	PIPE NIPPLE, 0.38 X 1.25

FIGURE 9

PTO ASSEMBLY

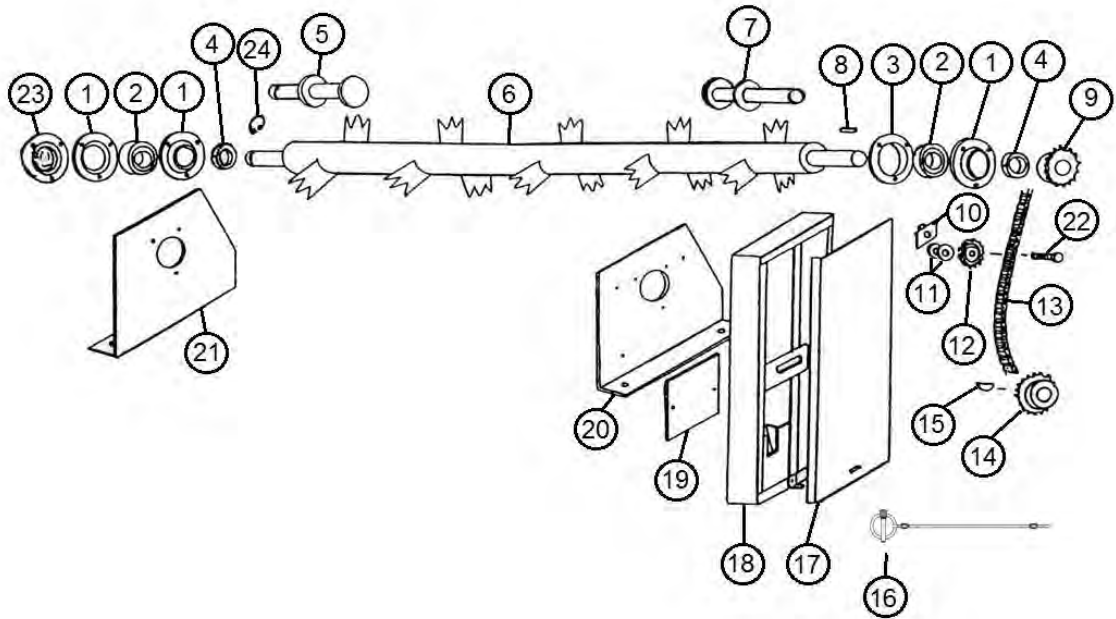


<u>ITEM</u>	<u>540 RPM</u>	<u>DESCRIPTION</u>
1	23N152	COMPLETE PTO ASS'Y W/SHIELDS
2	23N153	MACHINE HALF PTO W/SHIELD
3	G1R35	YOKE 1-1/4"
4	14NW	14R CROSS & BEARING KIT
5	23N155	YOKE AND TUBE
6	23N156	INNER GUARD
7	23N157	TRACTOR HALF PTO W/SHIELD
8	23N158	OUTER GUARD
9	23N159	YOKE AND SHAFT
10	23N162	PTO LOCK YOKE ASSEMBLY (540)
11	S225	SPRING-LOK REPAIR KIT
12	16SV181	NYLON REPAIR
13	16SV283	DECAL, PTO SAFETY
14	16SV388	DECAL, PTO SAFETY INNER GUARD
15	16SV384	SAFETY SIGN 540 RPM
*	S402	ADMA SAFETY MANUAL

* MEANS NOT SHOWN

FIGURE 10

OPTIONAL TOP BEATER



<u>ITEM</u>	<u>PART#</u>	<u>DESCRIPTION</u>
1	F114A	FLANGE, 1-1/4" W/45 DEG. ZERK
2	12N122	BEARING WITH LOCK COLLAR BEARING
3	F14	FLANGE
4	F16	LOCK COLLAR
5	23N164	LH STUB SHAFT
6	17G180	2ND BEATER
7	17G186	RH STUB SHAFT
8	G23B	5/16" X 1-3/8" SQUARE KEY
9	D18	16T SPROCKET
10	22G34	NUT BRACKET
11	YWFL16005	WASHER, FLAT, 1/2" USS
12	12N42	IDLER SPROCKET
13	22G35	#60 CHAIN 80 PITCHES
14	F13	20T SPROCKET (60B20)
15	5B9	3/8" X 1-1/4" WOODRUFF KEY
16	S122	LANYARD, CLIP PIN CABLE
17	22G36	COVER
18	17G181	SHIELD
19	22G38	SHIELD
20	17G182	RH PANEL
21	17G183	LH PANEL
22	YBHH16080	BOLT, 1/2" X 2-1/2" GR. 5
23	77318	BEAR SHD, STL, 1.12DEEP, 3.56BC
24	F73	SNAP RING

H&S MFG. CO.

products approved

for the

FEMA

SEAL OF QUALITY

