

H&S PARTS BOOK

S3123 SPREADER



Revision #00 Starting
Ser. #613604

Part #72934
HSMFG0116

**P.O. BOX 768, MARSHFIELD, WI 54449
(715) 387-3414 FAX (715) 384-5463
www.hsmfgco.com**

CONTENTS

Instructions for Ordering Parts	1
Figure 1 - Beater and Pan Assembly	2-3
Figure 2 - Hub, Spindle and Box Parts	4-5
Figure 3 - Front Shield and Drive Assembly	6-9
Figure 4 - Back Shield and Drive Assembly	10-13
Figure 5 - Hydraulic Endgate	14-15
Figure 6 - Apron Chain Assembly	16
Figure 7 - Hydraulic Endgate Cylinder	17
Figure 8 - PTO	18
Figure 9- Optional Second Beater	19
Figure 10 -Gearbox	20-23
Figure 11 -4 Hose Hydraulic Drive Assembly	24-25
Figure 12 -2 Hose Hydraulic Drive Assembly	26-27
Figure 13 - Hydraulic Drive Gearbox	28-29
Parts Notes	30

INSTRUCTIONS FOR ORDERING PARTS

All service parts should be ordered through your authorized H&S dealer. He will be able to give you faster service if you will provide them with the following:

1. Model & Serial Number - Both can be located on the side of the center bearing post above jack mount.
2. All references to left or right apply to the machine as viewed from the rear.
3. Parts should not be ordered from illustration only. Please order complete part number.
4. If your dealer has to order parts - give shipping instructions:

VIA truck - large pieces (please specify local truck lines)

VIA United Parcel Service (include full address)

Via FED EX (Include Full Address)

H&S MFG. CO. INC.	
MARSHFIELD, WIS.	
MOD. NO.	<input type="text"/>
SER. NO.	<input type="text"/>
DESCR.	<input type="text"/>

PLEASE RECORD NUMBERS FOR YOUR UNIT FOR QUICK REFERENCE

ABOUT IMPROVEMENTS

H&S MFG. CO. INC. IS CONTINUALLY STRIVING TO IMPROVE IT'S PRODUCTS

We must therefore, reserve the right to make improvements or changes whenever it becomes practical to do so, without incurring any obligation to make changes or additions to the equipment previously sold.

FIGURE 1
BEATER/PAN ASSEMBLY

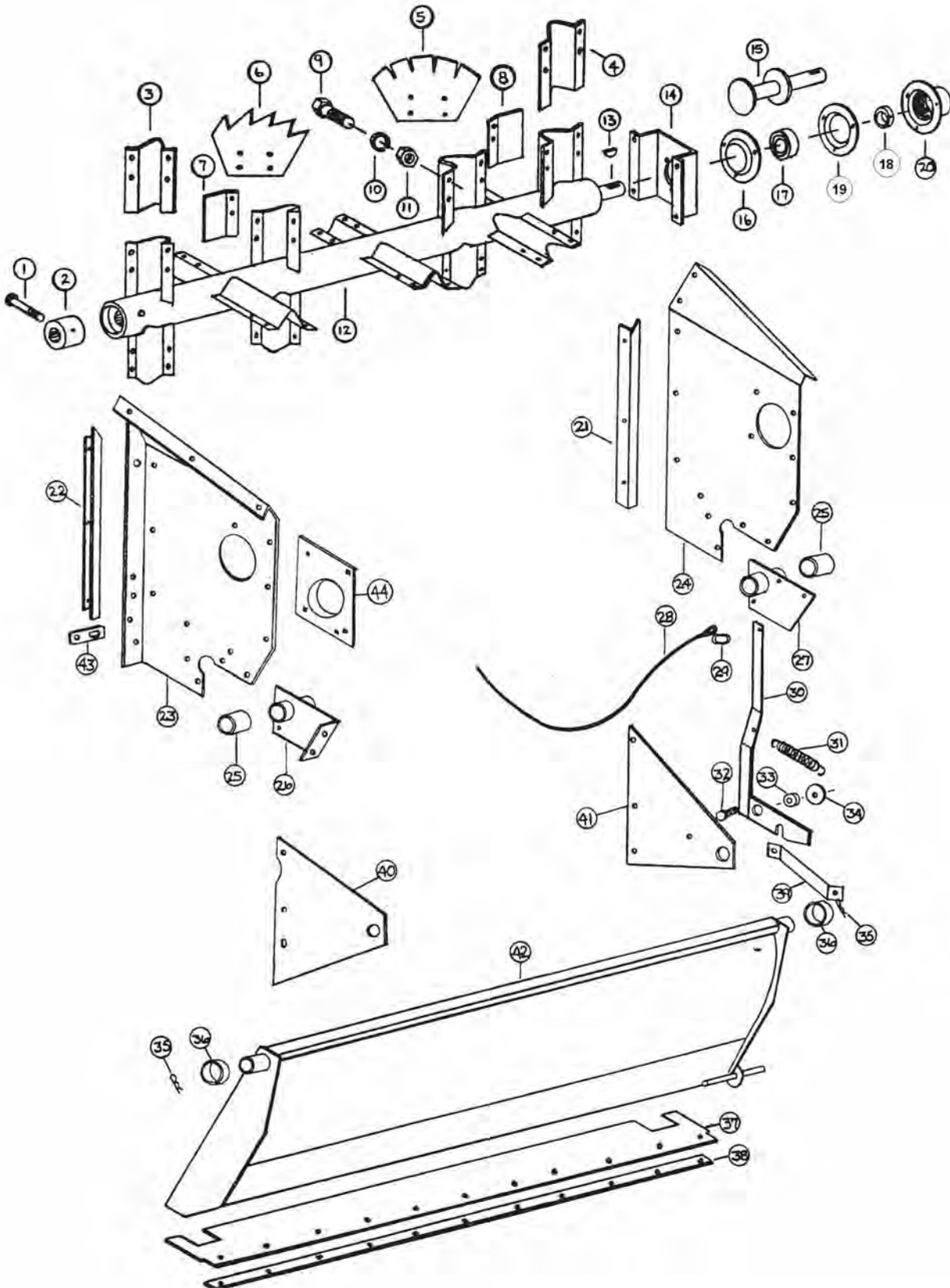


FIGURE 1

BEATER/PAN ASSEMBLY

<u>ITEM</u>	<u>PART #</u>	<u>DESCRIPTION</u>
1	YBHH10130	BOLT, 5/16" X 5" GR. 5
2	23N2	SPLINED BEATER INSERT
3	23N3	BEATER BLADE HOLDER LH
4	23N4	BEATER BLADE HOLDER RH
5	23N276	BEATER BLADE - HARDENED
6	23N277	BEATER BLADE - HARDENED
7	23N7	BEATER BLADE WIPER LH
8	23N8	BEATER BLADE WIPER RH
9	YBHH16045	BOLT, 1/2" X 1-1/4" GR. 5
10	YWLO16005	WASHER, LOCK, 1/2"
11	YNTL16005	HEX NUT, TOP LOCK, 1/2"-13
12	23N263	BEATER
13	5B9	3/8" X 1-1/4" WOODRUFF KEY
14	23N10	BEATER SHAFT SUPPORT
15	23N11	BEATER STUB SHAFT
16	F116	BEARING FLANGE (HEAVY DUTY)
17	12N122	BEARING W/ LOCK COLLAR ASSY.
18	12N122	BEARING W/ LOCK COLLAR ASSY.
19	F114A	BEARING FLANGE W/ ZERK 45 DEGREE
20	23N12	BEARING FLANGE GUARD
21	23N13	RH SIDE POLY HOLD DOWN
22	23N14	LH SIDE POLY HOLD DOWN
23	23N264	LH MAIN PANEL
24	23N265	RH MAIN PANEL
25	23N17	DRIVE SHAFT BUSHING
26	23N257	DRIVE SHAFT BRACKET LH
27	23N19	DRIVE SHAFT BRACKET RH
28	23N20	PAN TRIP ROPE
29	R31	CLIP
30	23N2	PAN TRIP LEVER
31	R27	SPRING
32	YBCR16010	CARRIAGE. BOLT, 1/2" X 1-1/2" GR. 5
33	23N23	TRIP LEVER SPACER
34	YWFL16005	WASHER, FLAT, 1/2" USS
35	YPCT06020	COTTER PIN, 3/16" X 2"
36	F112	SPACER
37	23N24	PAN RUBBER FLAP
38	23N25	PAN STRAP
39	23N267	PAN SUPPORT BRACE
40	23N268	LH PAN SUPPORT
41	23N29	RH PAN SUPPORT
42	23N30	PAN
43	23N64	SHIELD BRACKET
44	17G10	LH ANTI-WRAP GUARD

FIGURE 2

SPINDLE/HUB/BOX PARTS

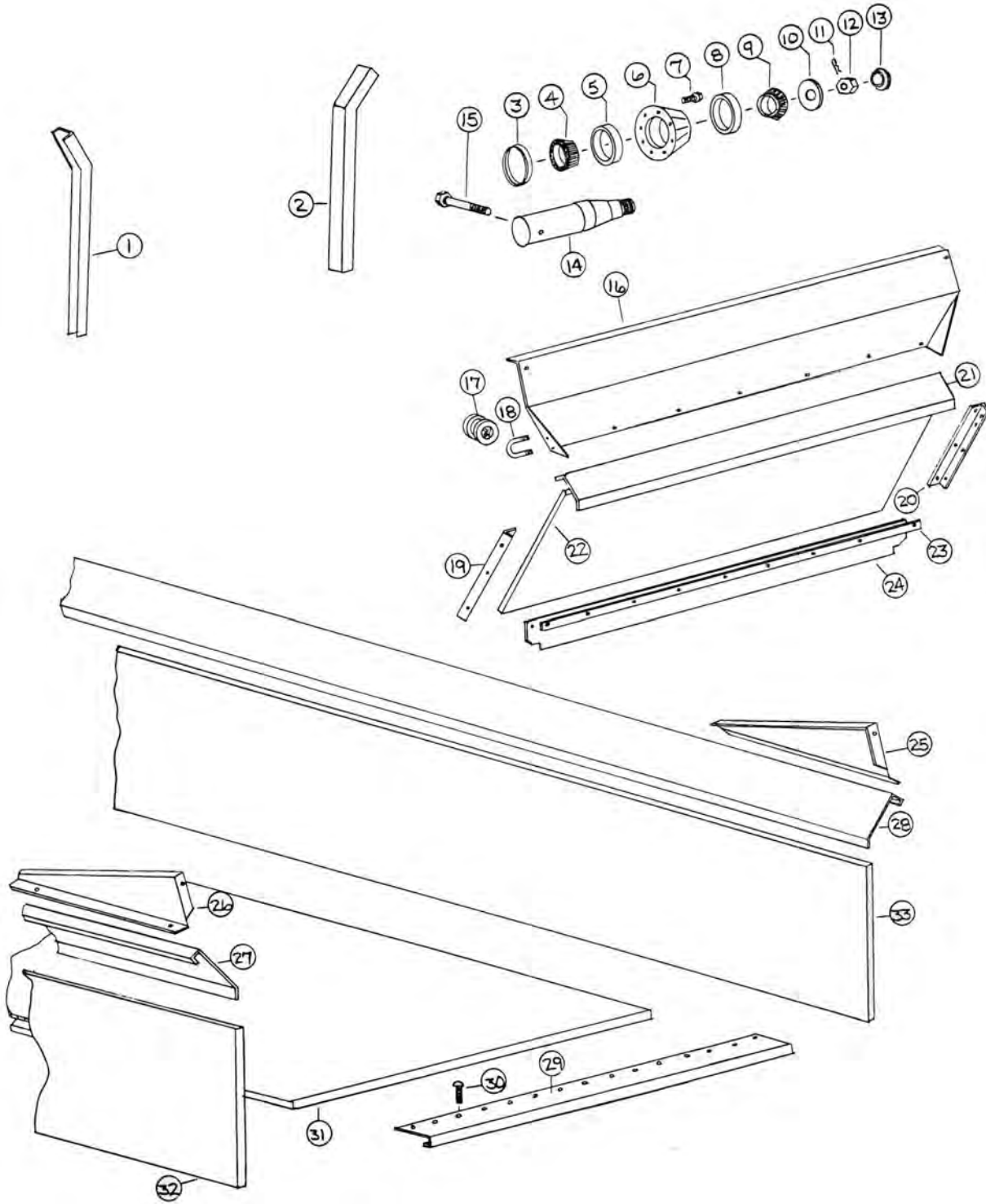


FIGURE 2

SPINDLE/HUB/BOX PARTS

<u>ITEM</u>	<u>PART #</u>	<u>DESCRIPTION</u>
1	23N31	RH SIDE STAKE
2	23N32	LH SIDE STAKE
3	B8	SEAL
4	B7	INNER BEARING
5	B7A	INNER RACE
6	B6	HUB
7	B32	STUD BOLT 5/8-18 UNF X 2 1/4
8	B5A	OUTER RACE
9	B5	OUTER BEARING
10	YWFL28005	WASHER, FLAT, 7/8" USS
11	YPCT05020	COTTER PIN, 5/32" X 1-3/4"
12	YNSL28005	HEX NUT, SLOTTED, 7/8"-14
13	B2	HUB CAP
14	B9	SPINDLE
*	23N304	SPINDLE FOR 14 X 16.1 WHEEL
15	YBHH16130	BOLT, 1/2" X 4" GR. 5
16	23N34	FRONT FLARE
17	F33	ROPE GUIDE
18	YBPU08005	PIPE U BOLT, 1/4"-20 X 3/4" PIPE, 1-1/4" ID, 2-1/4" IL, 1-1/4" THREAD
19	23N35	RH GATE ANGLE
20	23N36	LH GATE ANGLE
21	23N176	FRONT FLARE SUPPORT
22	23N270A	FRONT GATE PLYWOOD WITH FIBERGLASS
23	23N40	STRAP FOR RUBBER
24	23N41	FRONT GATE RUBBER
25	23N42	SPLASH GUARD SIDE LH
26	23N43	SPLASH GUARD SIDE RH
27	23N177	RH SIDE FLARE
28	23N178	LH SIDE FLARE
29	23N46	FRONT POLY FLOOR HOLD DOWN
30	B106	BOLTS FOR POLY FLOOR
31	23N271	FLOOR PLYWOOD WITH POLY
32	23N272A	RH SIDE PLYWOOD WITH FIBERGLASS
33	23N273A	LH SIDE PLYWOOD WITH FIBERGLASS
*	12V36	WHEEL 14 X 16.1
*	23N179	WHEEL 8 X 22.5
*	UR19	TIRE, 295/75R22.5, RECAP, HIGHWAY TREAD 1/2 X 1-3/4" GRADE 5 CARRIAGE BOLT

*** MEANS NOT SHOWN**

FIGURE 3
FRONT SHIELDS/DRIVE ASSEMBLY

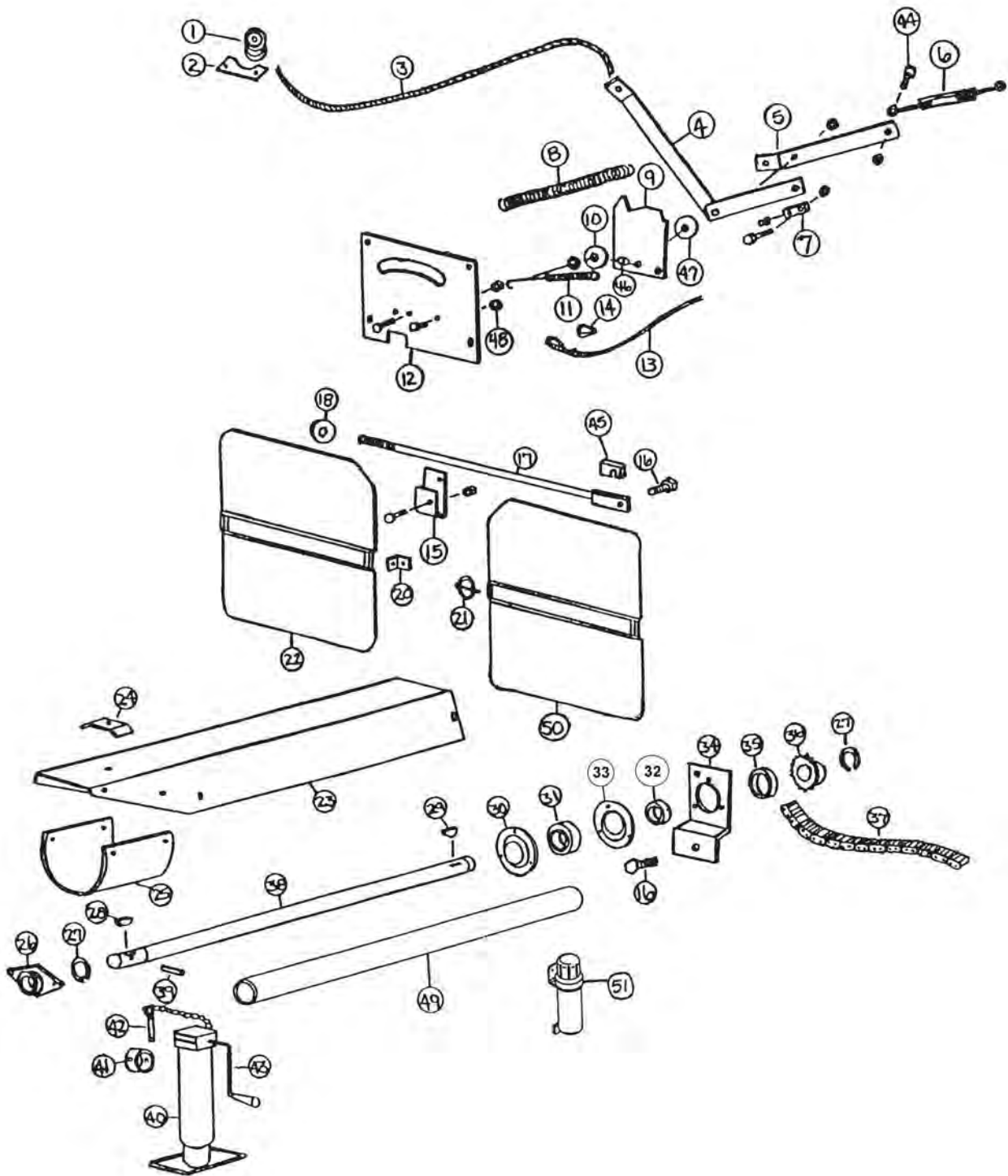


FIGURE 3
FRONT SHIELDS/DRIVE ASSEMBLY

<u>ITEM</u>	<u>PART #</u>	<u>DESCRIPTION</u>
1	F33	CABLE GUIDE
2	23N182	BRACKET
3	23N183	ROPE - 15'
4	23N280	SHIFTER LEVER
5	23N281	PIVOT LINK
6	F84	TURNBUCKLE
7	23N282	SHIFTER DOG
8	10R14	SPRING
9	23N283	STOP BRACKET
10	YWCU12005	WASHER, CUSTOM, FLAT, .435" ID. X 1-7/8" OD. X .125 THICK
11	23N284	SHIFTER DOG SPRING
12	23N285	FRONT PANEL
13	23N286	CABLE
14	F44	CABLE LOOP
15	23N287	SPRING BRACKET
16	YBHH16045	BOLT, 1/2" X 1-1/4" GR. 5
17	23N63	TIGHTENER ROD
18	F129	WASHER
20	F92	SHIELD BRACKET
21	S122	LANYARD, CLIP PIN CABLE
22	23N305	FRONT SHIELD RH
23	23N66	SHIELD
24	23N67	TAILGATE HOSE BRACKET
*	HE42	HYDRAULIC DRIVE BRACKET
25	F54	SHIELD
26	12N29	BEARING
27	F73	SNAP RING

*** MEANS NOT SHOWN**

FIGURE 3
FRONT SHIELDS/DRIVE ASSEMBLY

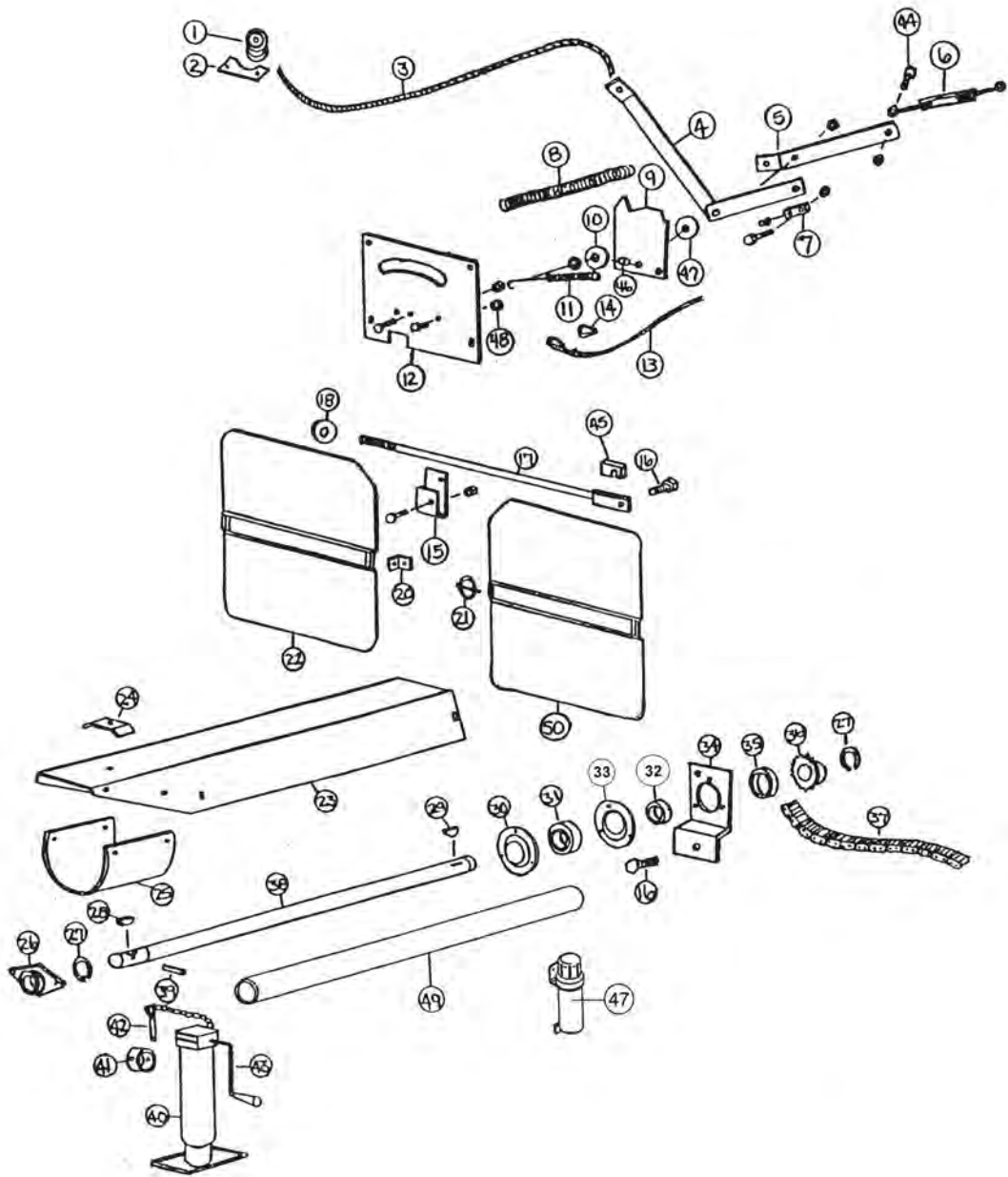


FIGURE 3

FRONT SHIELDS/DRIVE ASSEMBLY

<u>ITEM</u>	<u>PART #</u>	<u>DESCRIPTION</u>
28	5B10	1/4" X 1" KEY
29	5B9	3/8" X 1-1/4" WOODRUFF KEY
30	F114A	FLANGE, 1-1/4" W/45 DEG. ZERK
31	12N122	BEARING W/ LOCK COLLAR ASSY.
32	12N122	BEARING W/ LOCK COLLAR ASSY.
33	F14	BEARING FLANGE
34	23N68	FRONT ADJUSTMENT PLATE
35	23N69	SPACER
36	23N70	25 TOOTH SPROCKET
37	23N245	#60 ROLLER CHAIN 125 PITCHES
38	23N72	FRONT SHAFT
39	YPEX10020	EXPANSION PIN, 5/16" X 2-1/4"
40	12N116	JACK
*	12N120	JACK GEAR REP. KIT
41	12N121	JACK MOUNT
42	12N117	JACK PIN
43	12N119	HANDLE
*	12N118	REPLACEMENT BEARING
44	YBCR12010	CARRIAGE BOLT, 3/8" X 1" GR. 5 SPACER
45	23N278	ROLLER
46	23N297	TUBE, RND, STR, 0.75 X 0.19 X 0.21, DOM
47	S522	MANUAL HOLDER
48	ST81	FRONT SHAFT GUARD
49	37N74	FRONT SHIELD LH
50	23N306	MANUAL HOLDER

* MEANS NOT SHOWN

FIGURE 4

BACK SHIELDS/DRIVE ASSEMBLY

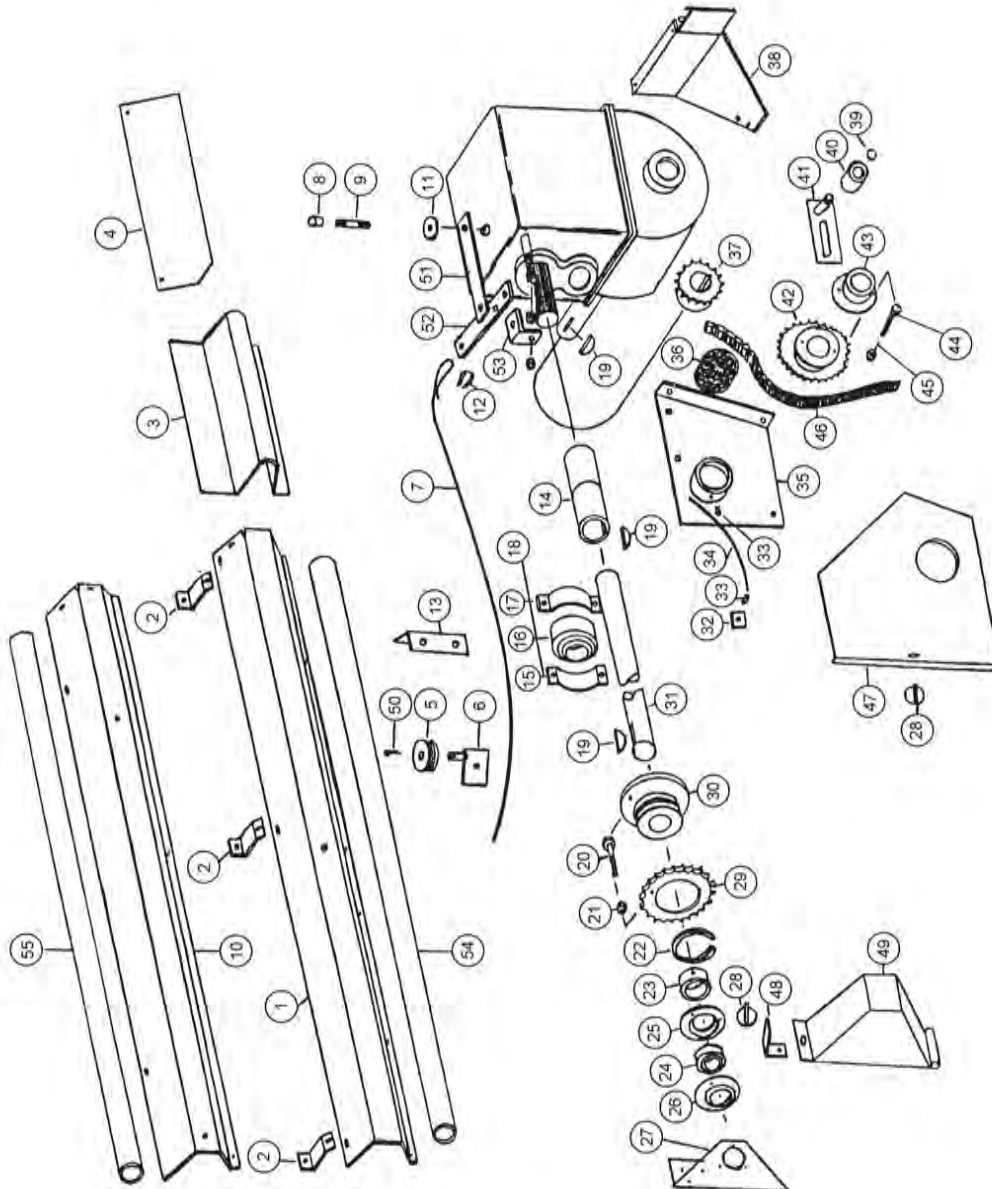


FIGURE 4

BACK SHIELDS/DRIVE ASSEMBLY

<u>ITEM</u>	<u>PART #</u>	<u>DESCRIPTION</u>
1	23N247	SIDE SHIELD
2	23N248	SIDE SHIELD BRACKET
3	23N292	COUPLER SHIELD
4	23N250	POLY SHIELD
5	23N251	POLY PULLEY
6	23N252	PULLEY MOUNT
7	23N253	CABLE
8	17G58	VENT CAP
9	23N288	PIPE NIPPLE
10	27N34	BACK SIDE SHIELD
11	17G61	WASHER
12	F44	CABLE LOOP
13	23N269	BEARING BRACKET
14	17G65	COUPLER
15	12N35	HOLDER
16	12N33	BEARING
17	12N34	BEARING COVER
18	12N36	COMPLETE ASSEMBLY
19	B59	3/8" X 1-1/4" WOODRUFF KEY
20	YBHH10030	BOLT, 5/16" X 1-1/2" GR. 5
21	YNTL10005	HEX NUT, TOP LOCK, 5/16"-18
22	23N189	SNAP RING
23	12N122	BEARING W/ LOCK COLLAR ASSY.
24	12N122	BEARING W/ LOCK COLLAR ASSY.
25	F114A	FLANGE
26	F14	BEARING FLANGE
27	23N254	SIDE BEARING PANEL
28	S122	LANYARD, CLIP PIN CABLE.
29	23N191	30 TOOTH SPROCKET
30	23N190	SHEAR HUB
31	23N255	SIDE SHAFT

FIGURE 4
BACK SHIELDS/DRIVE ASSEMBLY

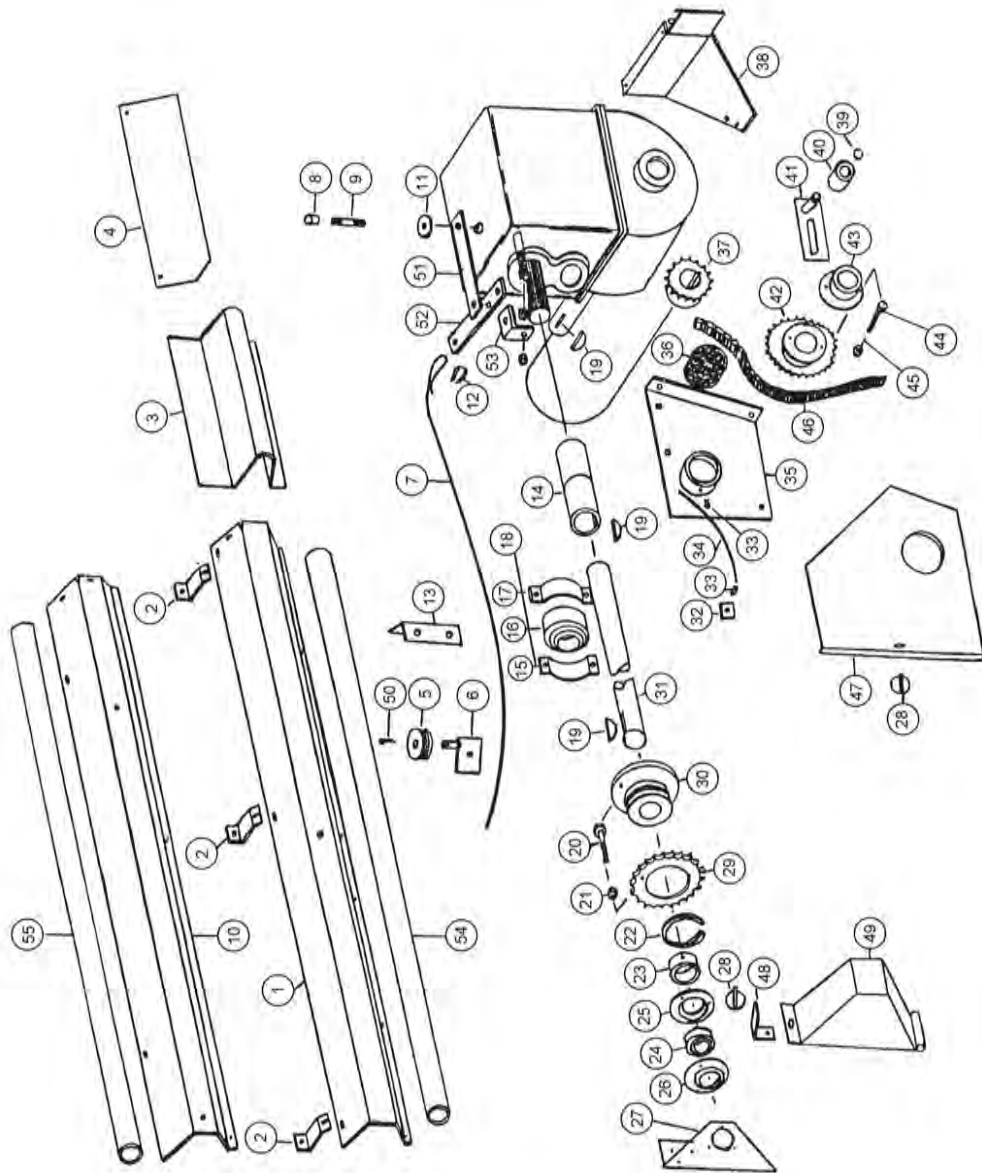


FIGURE 4

BACK SHIELDS/DRIVE ASSEMBLY

<u>ITEM</u>	<u>PART #</u>	<u>DESCRIPTION</u>
32	16V9	GREASE ZERK BLOCK
33	S47	GREASE LINE FITTING
34	23N256	GREASE LINE
35	23N257	LH DRIVE SHAFT MOUNT
36	23N258	CHAIN OILER
37	17G67	WORM GEAR SPROCKET
38	23N259	GEARBOX BRACE
39	10R32	SNAP RING
40	23N238	CHAIN TIGHTENER ROLLER
41	17G69	ASSY, CHAIN TIGHTENER BRACKET
42	17G68	SHEAR HUB SPROCKET - STANDARD (32T)
43	17G170	SLOW DOWN SPROCKET (40T)
*	23N279	SPEED UP SPROCKET (25T)
*	17G71	SHEAR HUB
44	YBHH10030	BOLT, 5/16" X 1-1/2" GR. 5
45	YNTL10005	HEX NUT, TOP LOCK, 5/16"-18
46	23N260	#60 CHAIN 56 PITCHES
47	23N261	DRIVE SHIELD
48	23N242	SHIELD ANGLE
49	22G21	SHIELD
50	YPCT04005	COTTER PIN, 1/8" X 1"
51	23N289	SHIFTER ROD LEVER FULCRUM SHIFTER
52	23N290	ROD LEVER
53	23N291	SHIFTER ROD ANGLE
54	23N294	1ST SIDE SHAFT GUARD
55	23N295	2ND SIDE SHAFT GUARD
*	27N43	3RD SIDE SHAFT GUARD
*	27N44	4TH SIDE SHAFT GUARD

* MEANS NOT SHOWN

FIGURE 5

HYDRAULIC ENDGATE ASSEMBLY

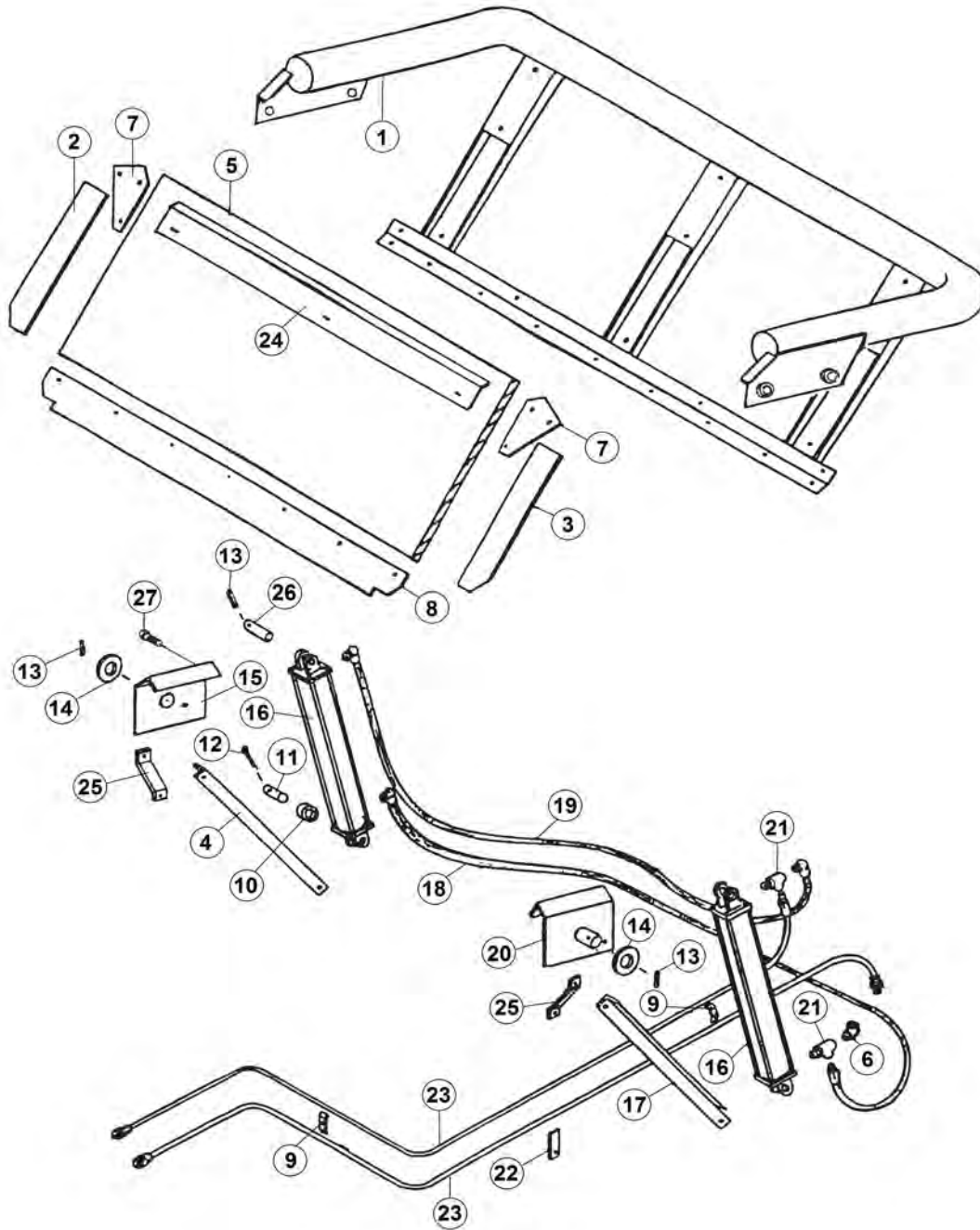


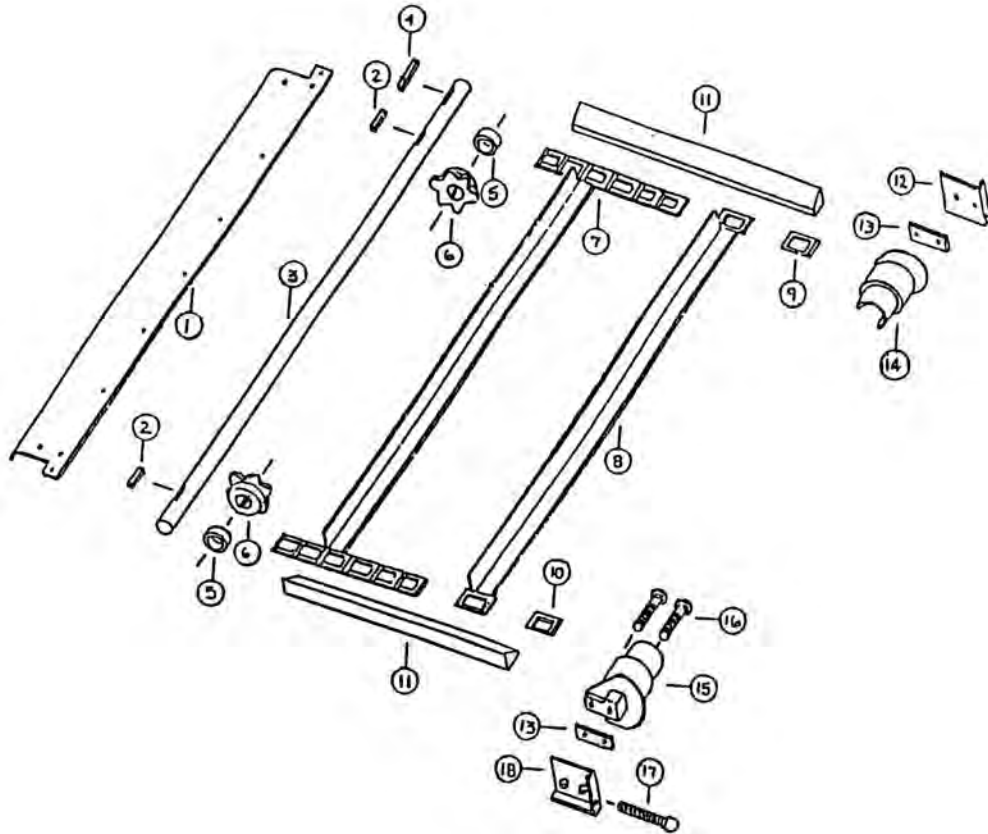
FIGURE 5

HYDRAULIC ENDGATE ASSEMBLY

<u>ITEM</u>	<u>PART #</u>	<u>DESCRIPTION</u>
1	23N298	TAILGATE FRAME
2	23N99	RH SIDE RUBBER
3	23N100	LH SIDE RUBBER
4	23N233	TAILGATE BRACKET BRACE
5	23N274A	TAILGATE PLYWOOD WITH FIBERGLASS
6	23N234	90° STREET ELBOW 3/8"
7	23N104	TAILGATE CORNER
8	23N105	BOTTOM RUBBER
9	23N67	HOSE BRACKET
10	K132	SPACER
11	23N107	CYLINDER PIN
12	YPCT07005	COTTER PIN, 7/32" X 2 "
13	YPEX10015	EXPANSION PIN, 5/16" X 1-3/4"
14	23N109	WASHER
15	23N299	RH TAILGATE MOUNT
16	23N111A	HYDRAULIC CYLINDER
*	56015	2" X 16" HYDRAULIC CYLINDER
17	23N231	BRACE
18	23N113	HOSE (96")
19	23N114	HOSE (138")
20	23N300	LH TAILGATE MOUNT
21	23N116	TEE
22	23N117	HOSE HOLDER
23	23N307	HOSE (23N307 - 274" / 27N47 - 298")
24	23N163	TAILGATE POLY HOLD DOWN
25	23N232	TAILGATE BRACKET BRACE CYLINDER
26	23N301	PIN
27	YBCR16021	1/2 X 1-3/4" GRADE 5 CARRIAGE BOLT

FIGURE 6

APRON CHAIN ASSEMBLY

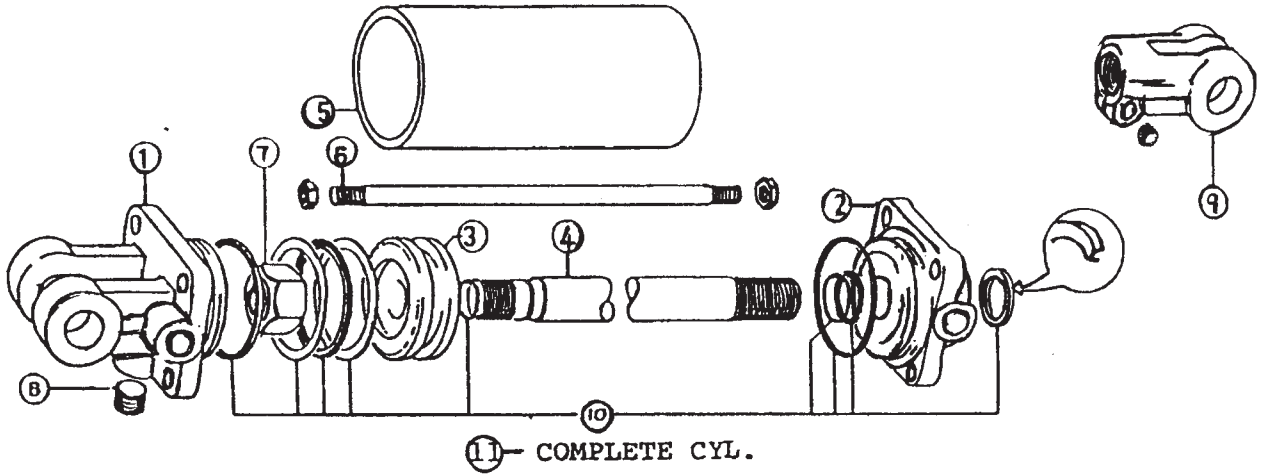


<u>ITEM</u>	<u>PART #</u>	<u>DESCRIPTION</u>
1	23N119	REAR POLY HOLD DOWN
2	23N303	3/8" X 1-3/4" SQUARE KEY
3	27N35	DRIVE SHAFT
4	A32	3/8" X 1-3/8" SQUARE KEY W/ ROUND ENDS
5	23N121	SPACER
6	23N122	DRIVE SPROCKET 6T
7	23N123	APRON CHAIN 17 SLATS, 210 LINKS
*	27N20	APRON CHAIN 20 SLATS, 244 LINKS
8	23N124	SLAT W/ ATTACHMENT LINK
9	S55	T-ROD STANDARD LINK
10	S56	T-ROD CHAIN SIDE SPACERS
11	23N125	APRON CHAIN SIDE SPACERS
12	A30	CHAIN SLIDE PLATE
13	23N126	CHAIN SLIDE SPACER
14	23N127	T-ROD SLIDE LH
15	23N128	T-ROD SLIDE RH
16	YBCR16045	CARRIAGE BOLT, 1/2" X 4" GR. 5
17	YBHH16140	BOLT, 1/2" X 4-1/2" GR. 5
18	A29	CHAIN SLIDE PLATE

* MEANS NOT SHOWN

FIGURE 7

HYDRAULIC ENDGATE CYLINDER

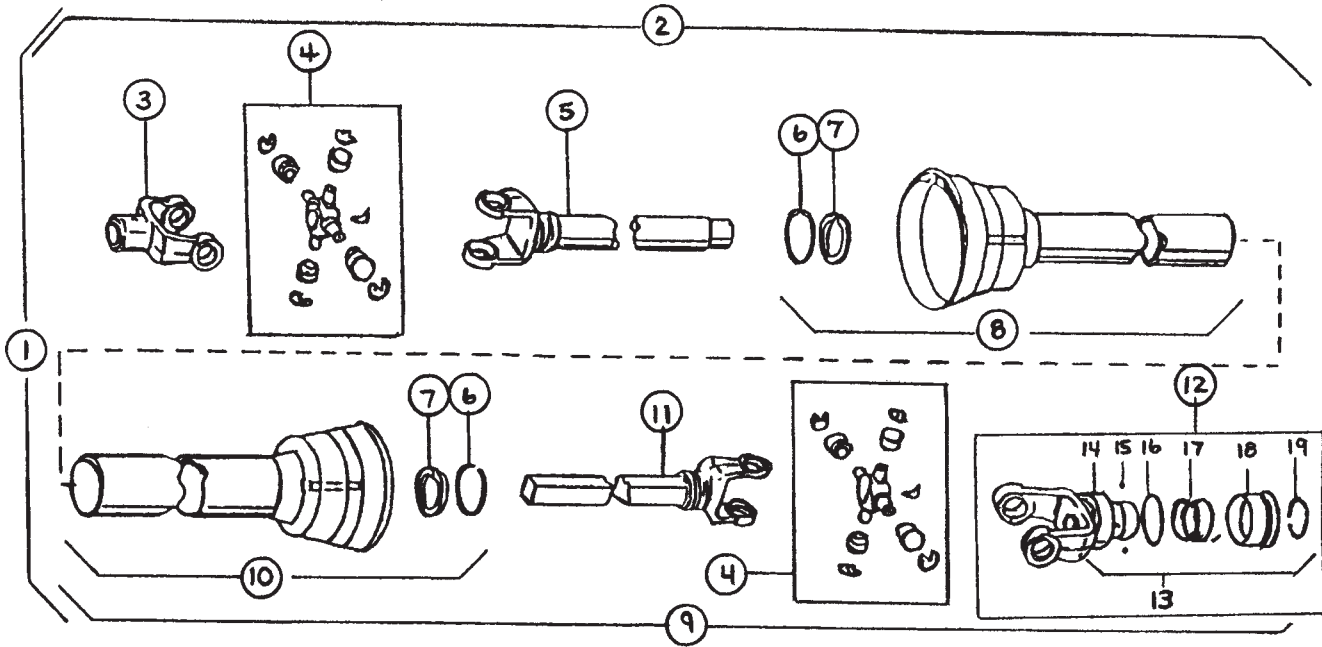


<u>ITEM</u>	<u>PART #</u>	<u>DESCRIPTION</u>
1	23N142A	CLEVIS CAP
2	23N143A	ROD CAP
*	56174	ROD CAP
3	23N144	PISTON
*	56180	PISTON
4	23N145A	ROD
5	23N146	CYLINDER TUBE
6	23N147	TIE ROD
7	23N148	PISTON NUT
8	23N149	PLUG
9	23N150A	ROD CLEVIS
10	23N151	SEAL KIT
*	56187	SEAL KIT
11	23N111A	HYDRAULIC CYLINDER COMPLETE
*	56015	HYDRAULIC CYLINDER COMPLETE

* MEANS NOT SHOWN

FIGURE 8

PTO ASSEMBLY

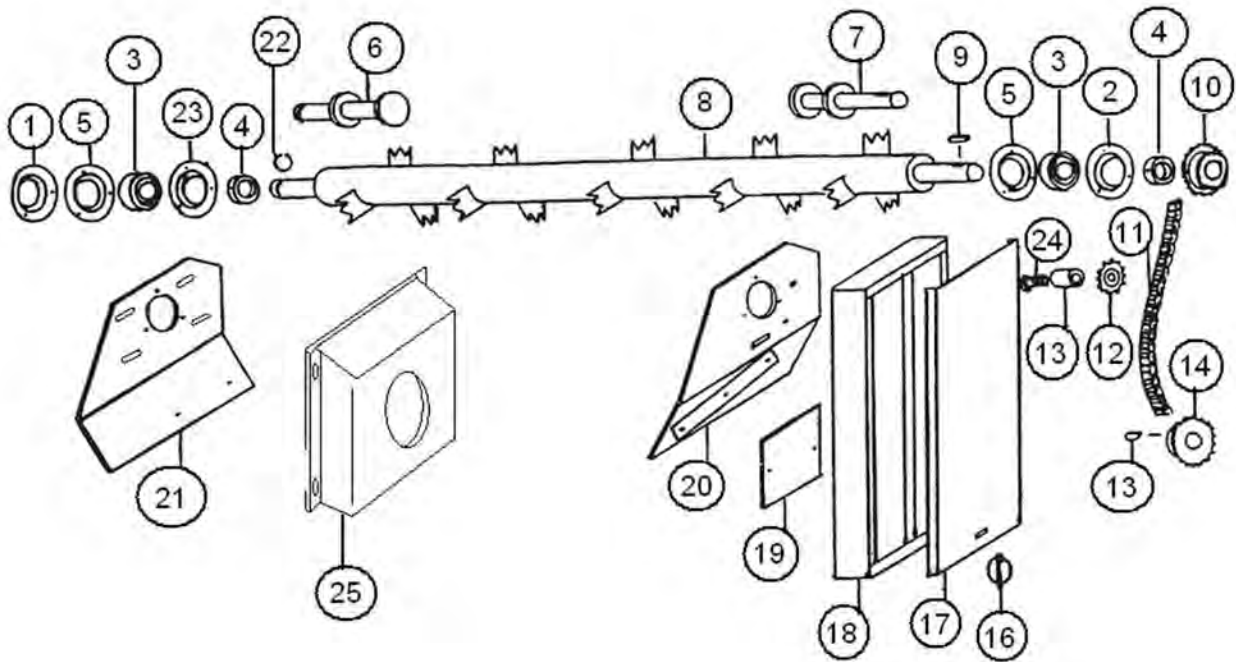


<u>ITEM</u>	<u>PART #</u>	<u>DESCRIPTION</u>
1	23N152	PTO ASSEMBLY COMPLETE W/ SHIELDS
2	23N153	MACHINE HALF PTO W/ SHIELD
3	G1R35	END YOKE MACHINE HALF
4	14NWKIT	REPAIR KIT
5	23N155	YOKE AND TUBE
6	24N26	BEARING RETAINER
7	4N20	NYLON BEARING
8	23N156	INNER GUARD INCLUDING ITEM #6 & #7
9	23N157	TRACTOR HALF PTO W/ SHIELD
10	23N158	OUTER GUARD INCLUDING ITEM #6 & #7
11	23N159	YOKE AND SHAFT
12	23N162	LOCK YOKE ASSEMBLY
13	S225	SPRING LOCK REPAIR KIT
14	S226	COVER
15	S212	STAINLESS BALL
16	S227	WASHER
17	S228	SPRING
18	S229	COLLAR ASSEMBLY
19	S215	RETAINING RING
*	S402	PTO SAFETY MANUAL

* MEANS NOT SHOWN

FIGURE 9

OPTIONAL 2ND BEATER



<u>ITEM</u>	<u>PART #</u>	<u>DESCRIPTION</u>
1	23N308	BEARING FLANGE GUARD
2	F114A	BEARING FLANGE W/ ZERK - 45°
3	12N122	BEARING W/ LOCK COLLAR ASSY.
4	12N122	BEARING W/ LOCK COLLAR ASSY.
5	F14	BEARING FLANGE
6	23N164	LH STUB SHAFT
7	23N165	RH STUB SHAFT
8	23N166	2ND BEATER
9	G23	5/16" X 1-3/8" SQUARE KEY
10	D18	16T SPROCKET
11	23N167	#60 CHAING (81 PITCHES)
12	12N42	IDLER SPROCKET
13	23N168	SPACER
14	F13	20T SPROCKET
15	5B9	3/8" X 1-1/4" WOODRUFF KEY
16	YPLY08010	LYNCH PIN, 1/4" X 1-1/2"
17	23N169	COVER
18	23N170	SHIELD
19	23N171	SHIELD
20	23N172	RH PANEL
21	23N173	LH PANEL
22	F73	SNAP RING
23	F114A	FLANGE W/ STRAIGHT ZERK
24	YBCR16040	CARR. BOLT, 1/2" X 3-1/2" GR. 5
25	57216	BEATER BEARING PROTECTOR

FIGURE 10

GEARBOX

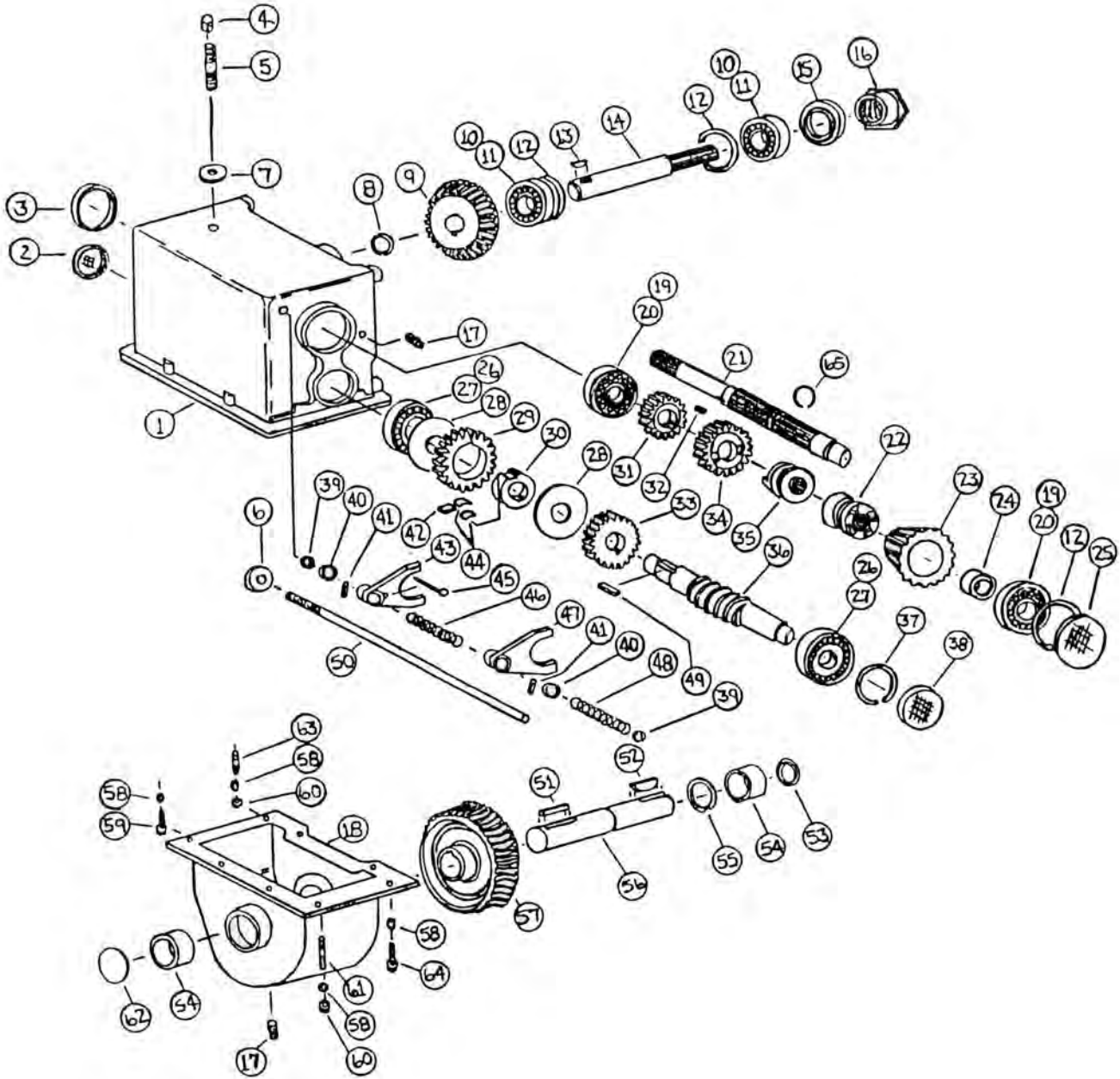


FIGURE 10

GEARBOX

<u>ITEM</u>	<u>PART #</u>	<u>DESCRIPTION</u>
1	17G99	UPPER GEAR HOUSING
2	17G100	CAP
3	S136	SEAL
4	17G58	VENT CAP
5	23N288	PIPE NIPPLE
6	17G171	COLLAR
7	17G61	WASHER
8	12V62	RETAINING RING
9	17G101	22T BEVELED GEAR
10	17G102	RACE 13621
11	17G103	BEARING 13685
12	G55	RETAINING RING
13	G61	3/8" X 1-1/4" HARDENED WOODRUFF KEY
14	17G104	BEATER OUTPUT SHAFT
15	17G105	SEAL
16	17G106	ADJUSTMENT NUT
17	G65	PLUG
18	17G107	LOWER GEAR HOUSING
19	G54	RACE 14276
20	G18	BEARING 14124
21	17G108A	INPUT SHAFT
22	17G109	BEATER CLUTCH
23	17G110	16T BEVELED GEAR W/ CLUTCH
24	17G111	BUSHING 1-1/2" ID X 1" LENGTH
25	G68	CAP
26	3G18	RACE 15245
27	L3G24	BEARING 15113
28	17G112	WASHER
29	17G113	32T GEAR W/ CLUTCH
30	17G114	GEAR HUB W/ CLUTCH
31	17G115	20T GEAR
32	17G116	1/4" X 5/8" KEY
33	17G117	24T GEAR

FIGURE 10

GEARBOX

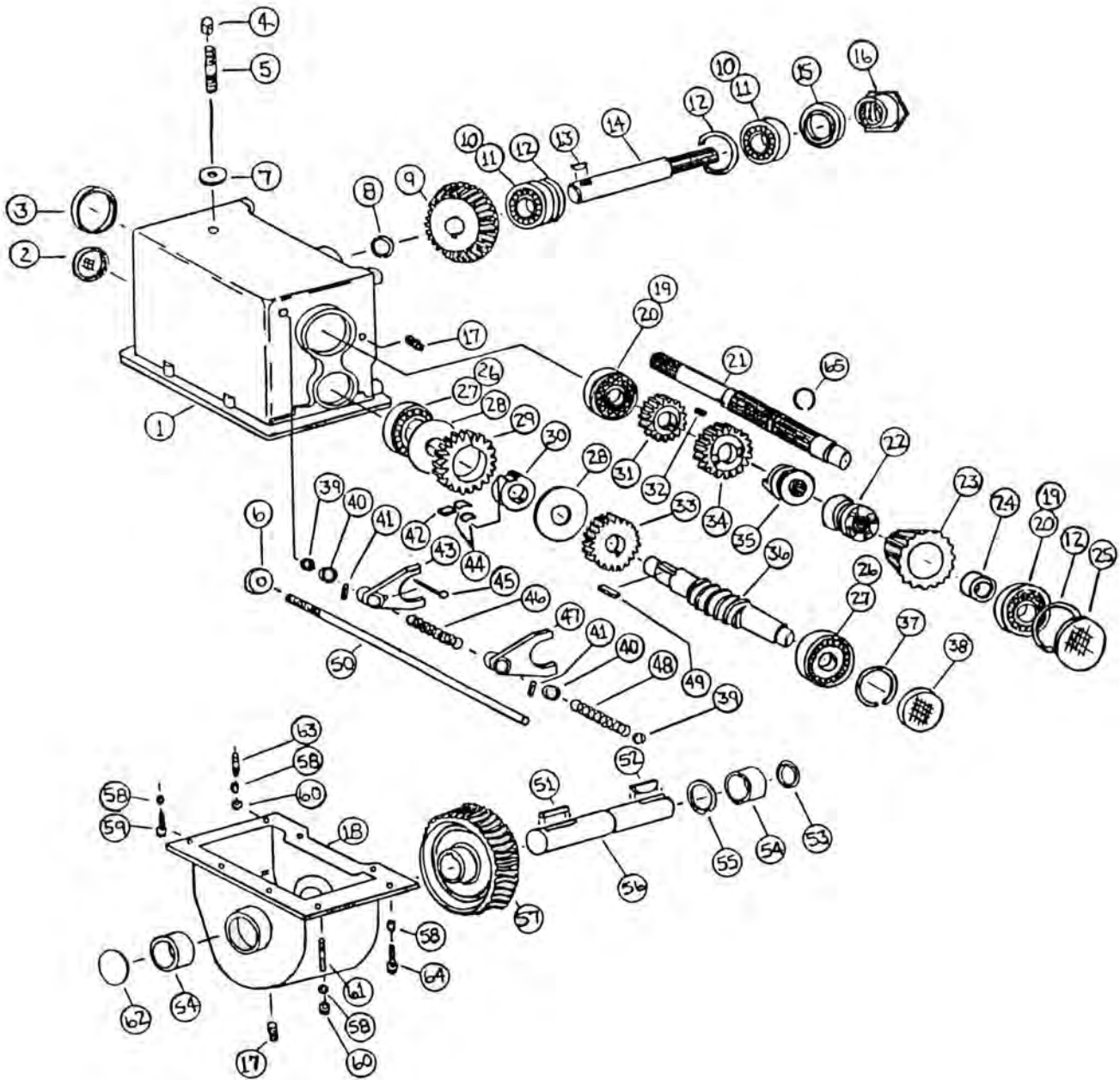


FIGURE 10

GEARBOX

<u>ITEM</u>	<u>PART #</u>	<u>DESCRIPTION</u>
34	17G118	28T GEAR W/ CLUTCH
35	17G119	HIGH SPEED CLUTCH
36	17G120	WORM SHAFT
37	3G19	RETAINING RING
38	G90	CAP
39	17G121	SEAL
40	17G122	SPACER
41	17G123	3/16" X 1" ROLL PIN
42	17G124	CLUTCH DOG
43	17G125	HIGH SPEED SHIFTER YOKE
44	17G126	DOG SPRING/LOW SPEED CLUTCH
45	YBHH08090	BOLT, 1/4" X 3" GR. 2 FULL THREAD
46	17G128	SPRING/BEATER ENGAGE
47	17G129	BEATER SHIFTER YOKE
48	17G130	SPRING/BEATER DISENGAGE
49	S135	1/4" X 1-1/4" KEY
50	17G131	SHIFTER ROD
51	17G132	5/16" X 2-1/4" KEY
52	5B9	3/8" X 1-1/4" WOODRUFF KEY
53	17G133	SEAL
54	17G134	BUSHING, 1-1/2"ID X 1-1/2"
55	17G135	RETAINING RING
56	17G136	WORM GEAR OUTPUT SHAFT
57	17G137	WORM GEAR
58	YWLO12005	WASHER, LOCK, 3/8"
59	YBHH12010	BOLT, 3/8" X 1" GR. 5
60	YNHX12005	HEX NUT, 3/8"-16
61	17G138	3/8" X 2" STUD
62	17G139	1-3/4" CAP
63	17G140	3/8" X 1-1/2" STUD
64	YBHH12035	BOLT, 3/8" X 1-1/4" GR. 5
65	17G169A	SNAP RING
*	17G142	COMPLETE GEARBOX

*** MEANS NOT SHOWN**

FIGURE 11
4-HOSE HYDRAULIC DRIVE

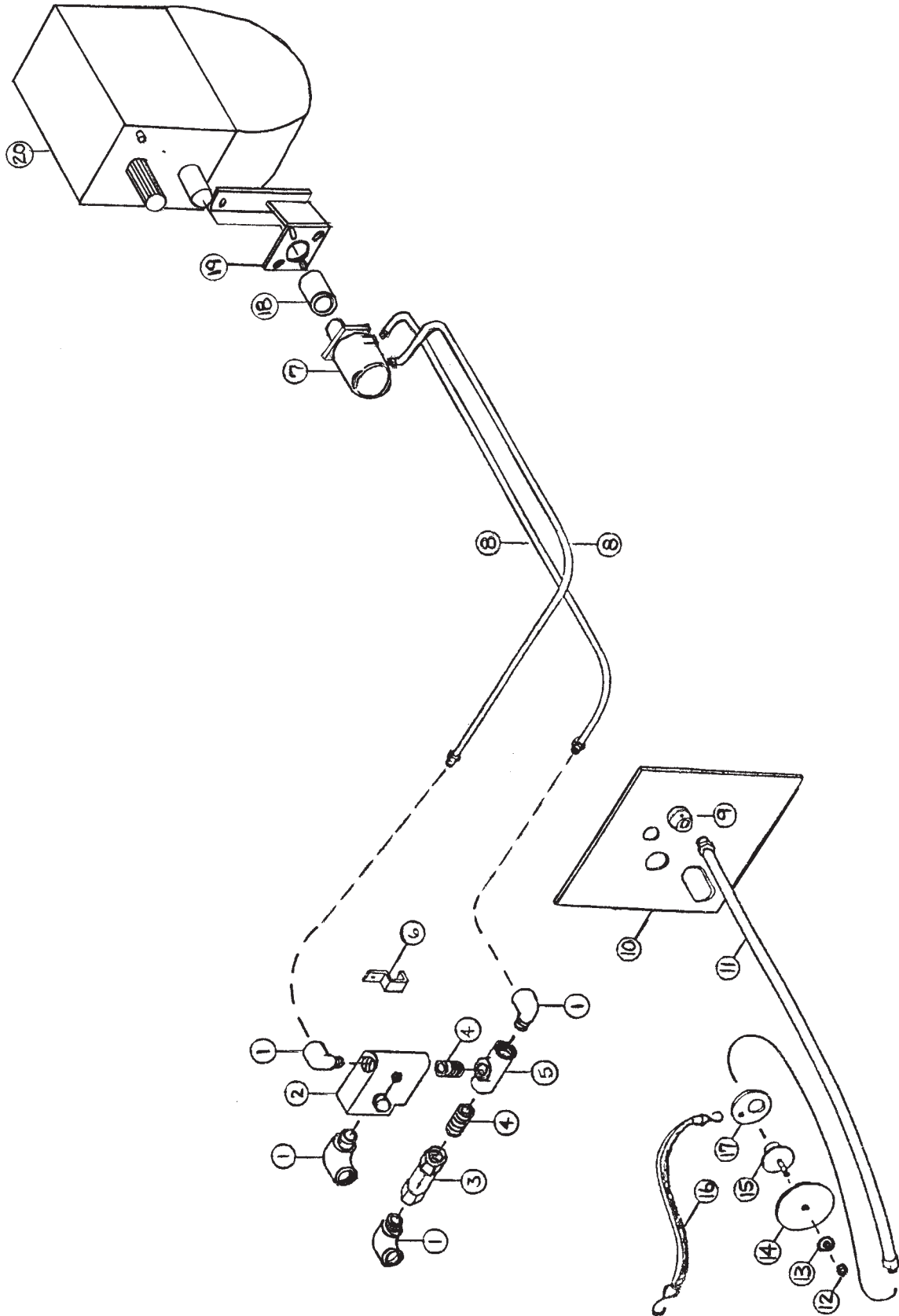


FIGURE 11
4-HOSE HYDRAULIC DRIVE

<u>ITEM</u>	<u>PART #</u>	<u>DESCRIPTION</u>
1	HE58	90 DEGREE STREET ELBOW
2	DF15	SPEED CONTROL
3	DF18	CHECK VALVE
4	DF7	NIPPLE
5	DF8	TEE
6	HE14	HOSE BRACKET
7	DF1	HYDRAULIC MOTOR
8	23N132	HYDRAULIC MOTOR HOSE
9	DF21	REDUCER
10	23N133	CONTROL PANEL
11	DF9	HOSE FOR HANDLE
12	YNTL12005	HEX NUT, TOP LOCK, 3/8"-16
13	DF12	WASHER
14	DF11	HANDLE
15	DF10	HANDLE BRACKET
16	DF14	STRAP
17	DF22	RING FOR STRAP
18	17G161	COUPLER
19	17G162	MOUNTING BRACKET
20	17G163	COMPLETE GEARBOX

FIGURE 12
2-HOSE HYDRAULIC DRIVE

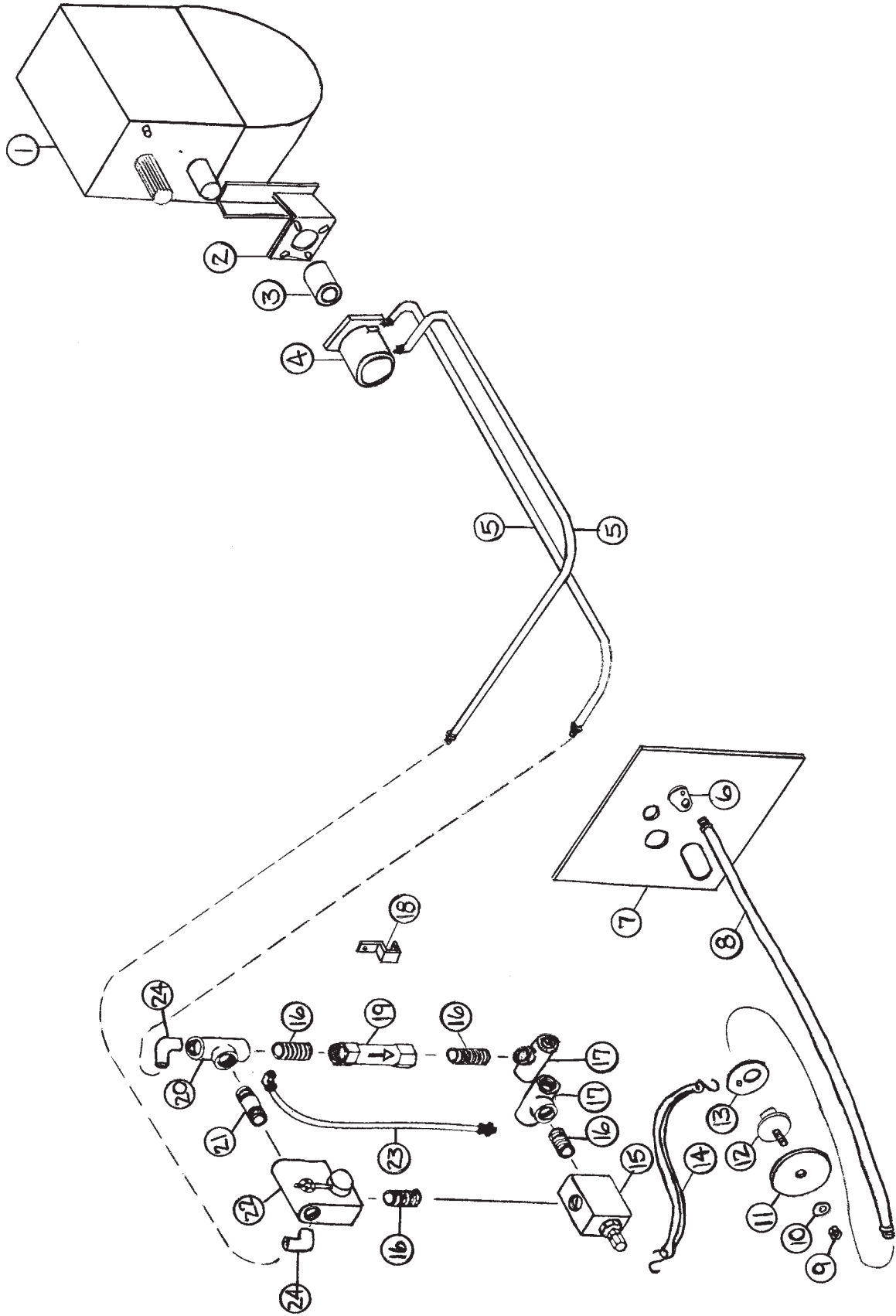


FIGURE 12
2-HOSE HYDRAULIC DRIVE

<u>ITEM</u>	<u>PART #</u>	<u>DESCRIPTION</u>
1	17G163	COMPLETE GEARBOX
2	17G162	MOUNTING BRACKET
3	17G161	COUPLER
4	DF1	HYDRAULIC MOTOR
5	23N132	HYDRAULIC MOTOR HOSE
6	DF21	REDUCER
7	23N133	CONTROL PANEL
8	DF9	HOSE FOR HANDLE
9	YNTL12005	HEX NUT, TOP LOCK, 3/8"-16
10	DF12	WASHER
11	DF11	HANDLE
12	DF10	HANDLE BRACKET
13	DF22	RING FOR STRAP
14	DF14	STRAP
15	DF6	SEQUENCE VALVE
16	DF7	NIPPLE
17	DF8	TEE
18	HE14	HOSE BRACKET
19	DF18	CHECK VALVE
20	DF19	TEE
21	DF17	NIPPLE
22	DF15	SPEED CONTROL
23	DF16	DRAIN HOSE
24	HE58	90 DEGREE STREET ELBOW

FIGURE 13

HYDRAULIC DRIVE GEARBOX

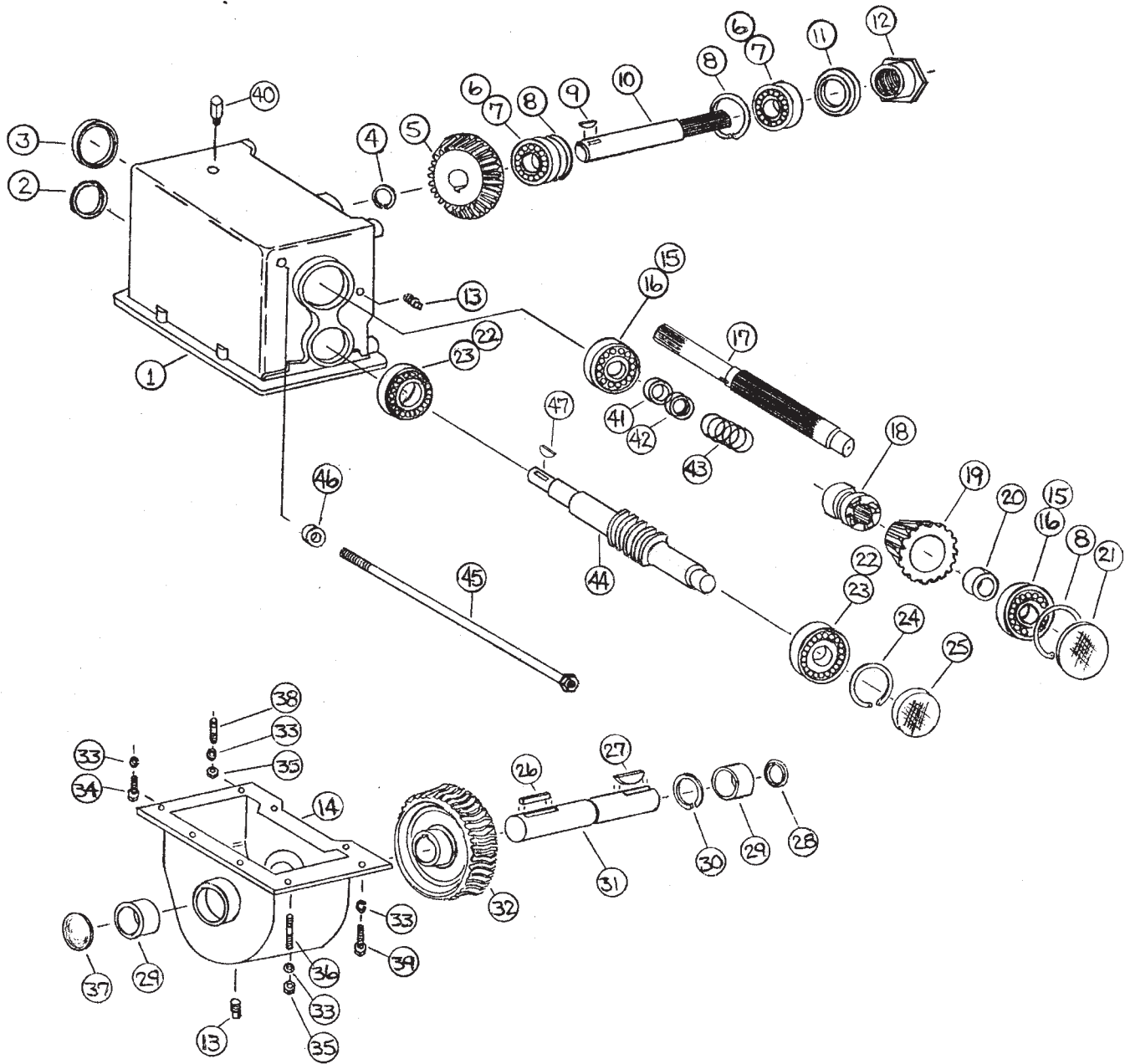


FIGURE 13

HYDRAULIC DRIVE GEARBOX

<u>ITEM</u>	<u>PART #</u>	<u>DESCRIPTION</u>
1	17G99	UPPER GEAR HOUSING
2	17G164	SEAL
3	S136	SEAL
4	12V62	RETAINING RING
5	17G101	22T BEVELED GEAR
6	17G102	RACE 13621
7	17G103	BEARING 13685
8	G55	RETAINING RING
9	G61	3/8" X 1-1/4" HARDENED WOODRUFF KEY
10	17G104	BEATER OUTPUT SHAFT
11	17G105	SEAL
12	17G106	ADJUSTMENT NUT
13	G65	PLUG
14	17G107	LOWER GEAR HOUSING
15	G54	RACE 14276
16	G18	BEARING 14124
17	17G108A	INPUT SHAFT
18	17G109	BEATER CLUTCH
19	17G110	16T BEVELED GEAR W/ CLUTCH
20	17G111	BUSHING 1-1/2" ID X 1" LENGTH
21	G68	CAP
22	3G18	RACE 15245
23	L3G24	BEARING 15113
24	3G19	RETAINING RING
25	G90	CAP
26	17G132	5/16" X 2-1/4" KEY
27	5B9	3/8" X 1-1/4" WOODRUFF KEY
28	17G133	SEAL
29	17G134	BUSHING 1-1/2" ID X 1-1/2" LENGTH
30	17G135	RETAINING RING
31	17G136	WORM GEAR OUTPUT SHAFT
32	17G137	WORM GEAR
33	YWLO12005	WASHER, LOCK, 3/8"
34	YBHH12010	BOLT, 3/8" X 1" GR. 5
35	YNHX12005	HEX NUT, 3/8"-16
36	17G138	3/8" X 2" STUD
37	17G139	1-3/4" CAP
38	17G140	3/8" X 1-1/2" STUD
39	YBHH12035	BOLT, 3/8" X 1-1/4" GR. 5
40	G24	VENT PIPE PLUG
41	17G165	5/8" SPACER
42	A25	1" SPACER
43	23N89	CLUTCH SPRING
44	17G166	WORM SHAFT
45	17G167	BOLT
46	17G168	3/4" SPACER
47	5B10	1/4" X 1" KEY

H&S MFG. CO.

products approved

for the

FEMA

SEAL OF QUALITY

